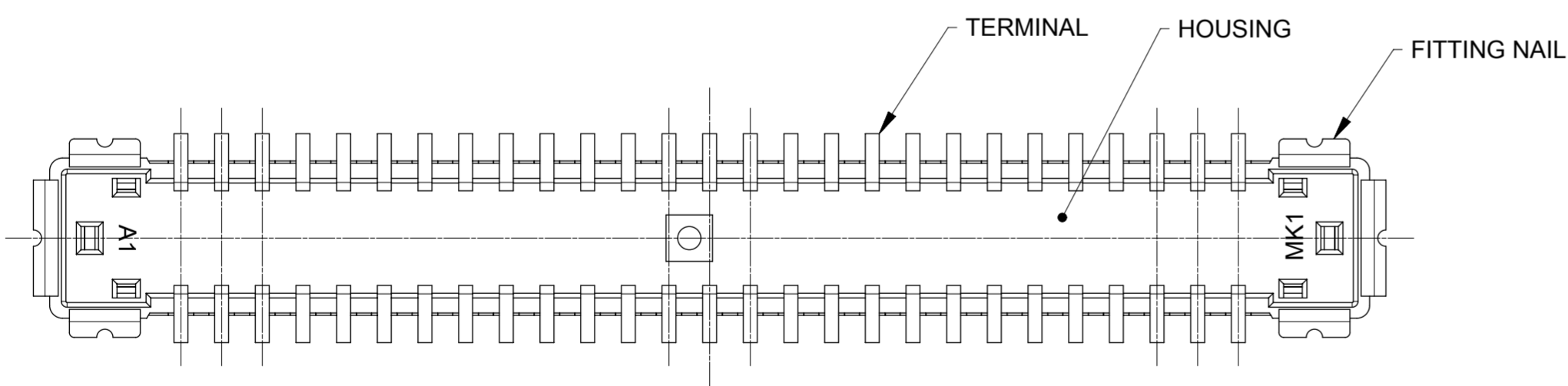


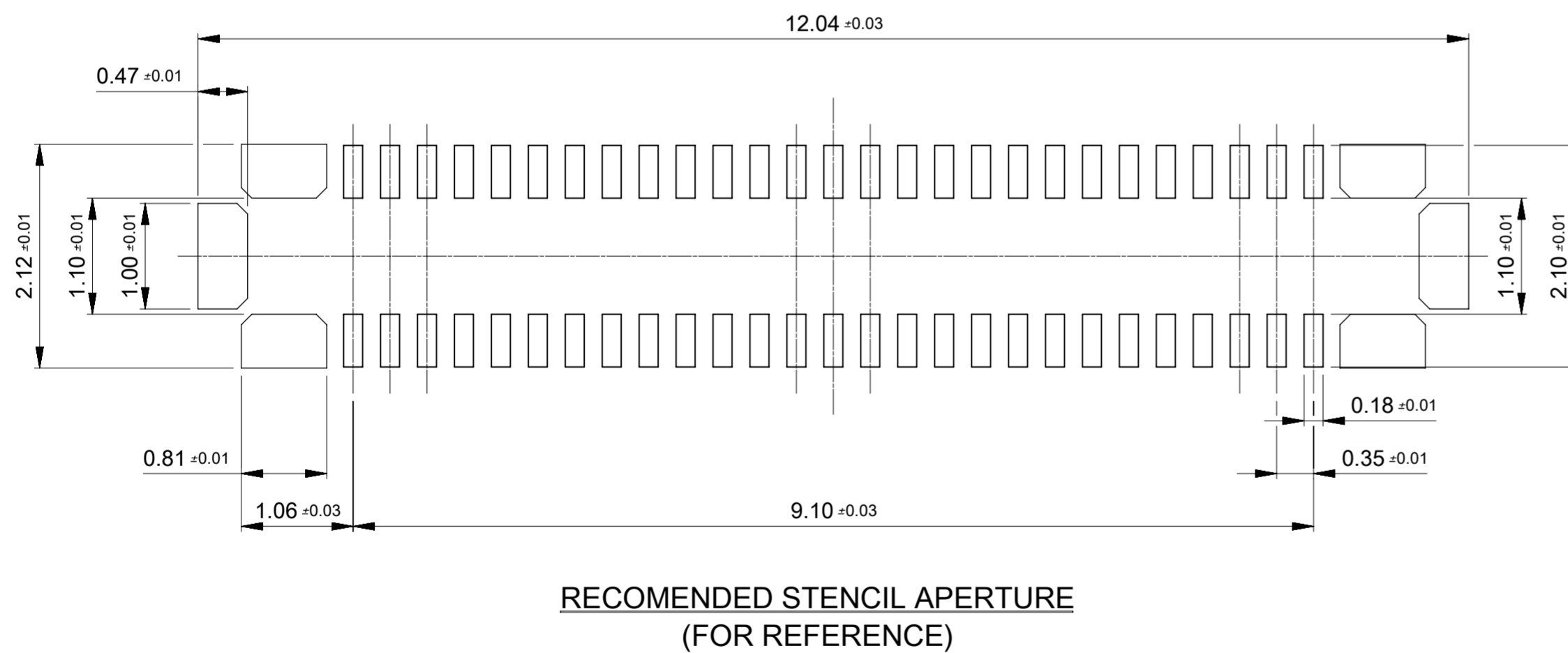
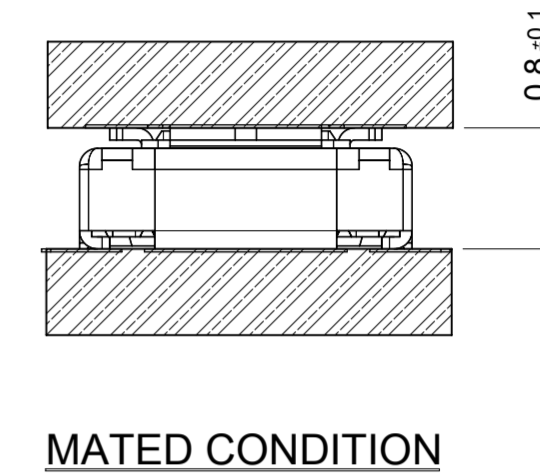
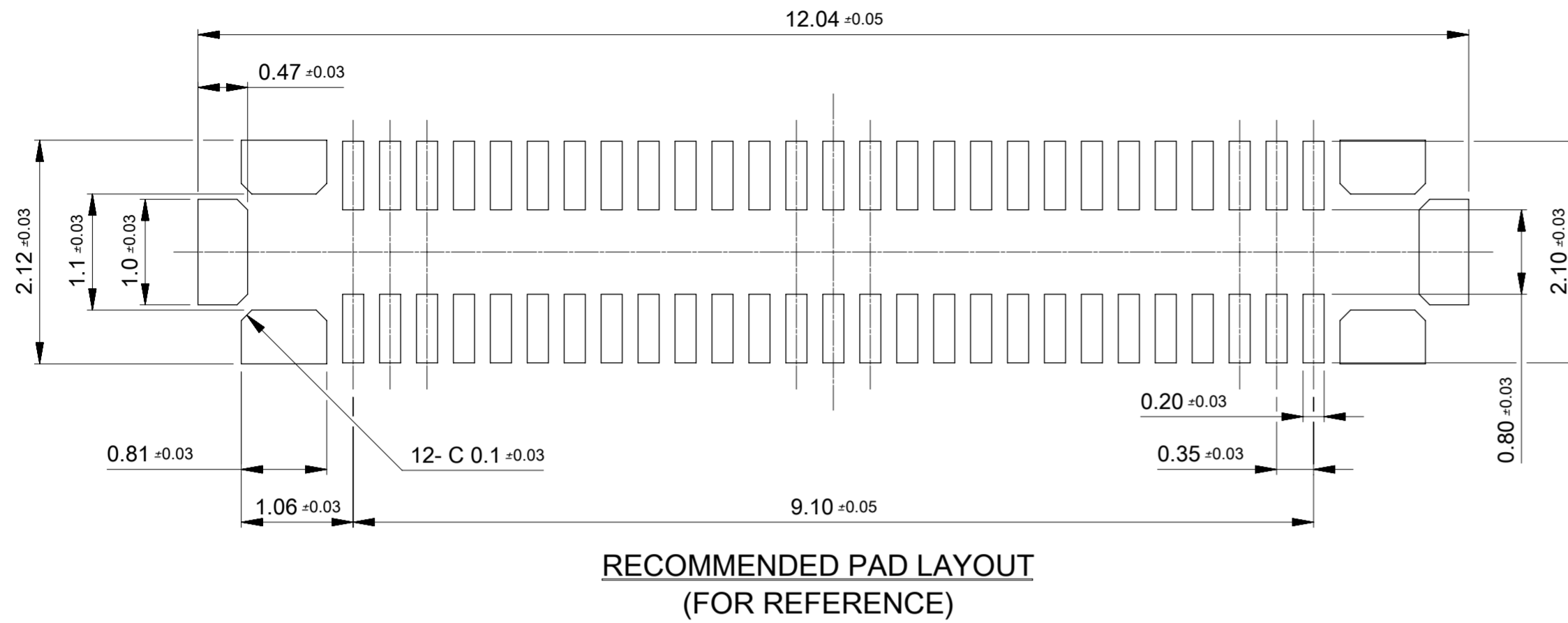
NOTES

1. MATERIAL  
HOUSING : LIQUIDE CRISTAL POLYMER UL94V-0 (COLOR:BLACK)  
TERMINAL : COPPER ALLOY  
FITTING NAIL : COPPER ALLOY
2. PLATING  
- TERMINAL  
CONTACT AREA : GOLD 0.1um MIN.  
TAIL AREA : GOLD 0.05um MIN.  
BASE PLATING : Ni 1.0um MIN.  
- FITTING NAIL(POWER)  
CONTACT AREA : GOLD 0.1um MIN.  
TAIL AREA : GOLD 0.05um MIN.  
BASE PLATING : Ni 1.0um MIN.  
DIVIDE INTO PARTS THE GOLD PLATING OF THE CONTACT AND THE TAIL PART BY THE NICKEL BARRIER.
3. MATE WHTH : 2074710540
4. COPLANARITY : SHALL BE 0.08MAX. ON BOTH OF TERMINAL AND NAIL.
5. PROHIBITED AREA FOR PATTERN WIRING AND SOLDER.  
(FOR EACH AREA, THE WIRING THAT TOUCHES ON THE SOLDER CAN BE ATTACHED, THEN COVERED WITH A FILM TO KEEP SOLDER OUT)



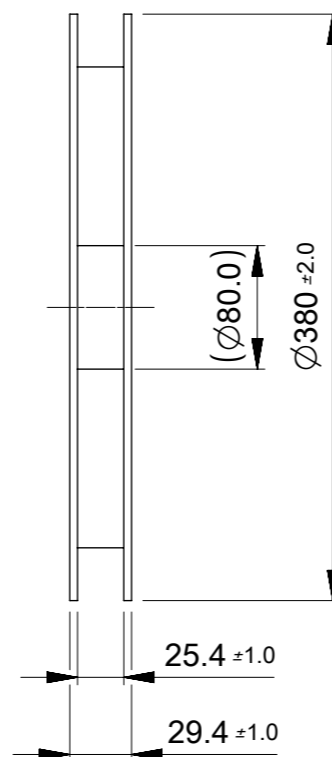
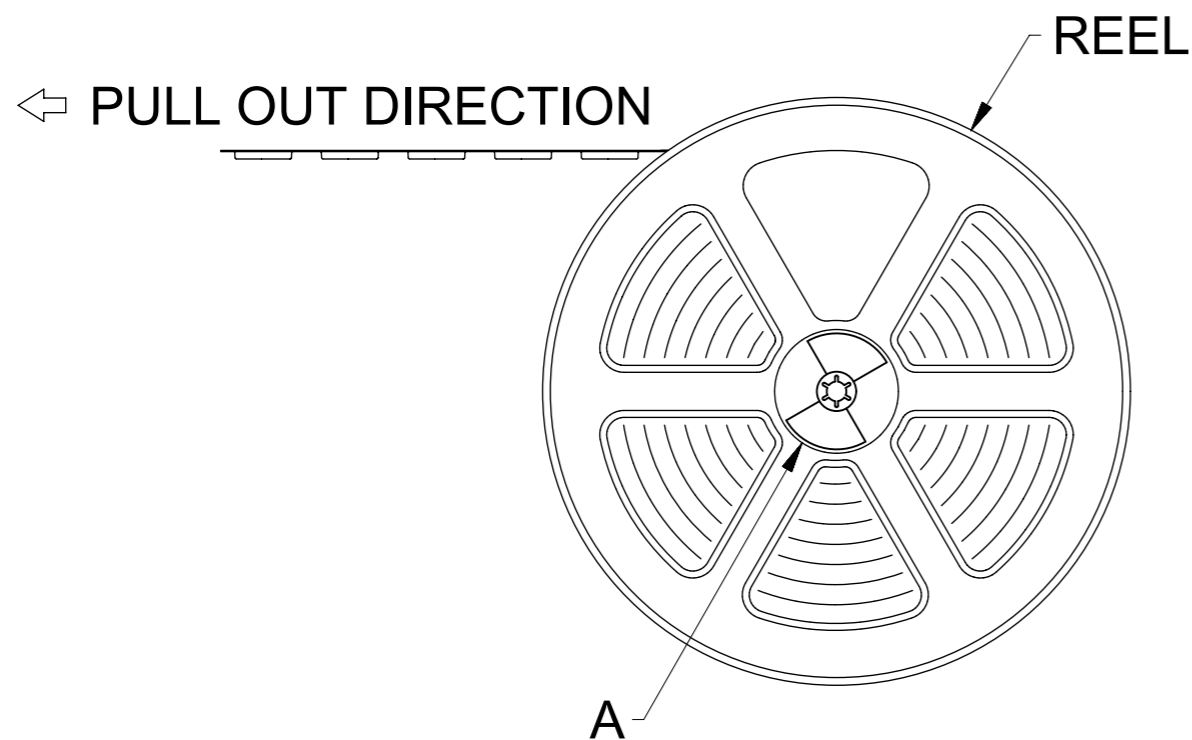
2074720541	O	---	54
EMBOSSED TAPE PACKAGE	HIGH VOL. TOOL	LOW VOL. TOOL	Ckts
ORDER No.	SAMPLE PREPARATION		
	O : TOOLED	□ : WORK PROCESS	---
	--- : TOOLING TO BE CONFIRMED		
CONNECTOR SERIES No. : 2074720540			

SYMBOLS	THIS DRAWING CONTAINS INFORMATION THAT IS PROPRIETARY TO MOLEX ELECTRONIC TECHNOLOGIES, LLC AND SHOULD NOT BE USED WITHOUT WRITTEN PERMISSION		
	DIMENSION UNITS	SCALE	CURRENT REV DESC:
▽ = 0	mm	20:1	EC NO: 622024 DRWN: SYKO01 2019/06/25 CHK'D: KSKIM 2019/08/07 APPR: YSKIM02 2019/08/07
▽ = 0	GENERAL TOLERANCES (UNLESS SPECIFIED)		
▽ = 0	ANGULAR TOL ± 1.0°		INITIAL REVISION: DRWN: SYKO01 2019/01/03 APPR: YSKIM02 2019/04/12
▽ = 0	4 PLACES	± 0.05	
▽ = 0	3 PLACES	± 0.05	DOCUMENT NUMBER <b>2074720540</b>
▽ = 0	2 PLACES	± 0.05	
▽ = 0	1 PLACE	± 0.1	DOC TYPE PSD
▽ = 0	0 PLACES	± 0.2	
▽ = 0	DRAFT WHERE APPLICABLE MUST REMAIN WITHIN DIMENSIONS	THIRD ANGLE PROJECTION	DOC PART 001
		DRAWING A2-SIZE	DOC PART A1
		SERIES 207472	REVISION 1
		MATERIAL NUMBER SEE SHEET 1	CUSTOMER GENERAL
		SHEET NUMBER 1 OF 2	



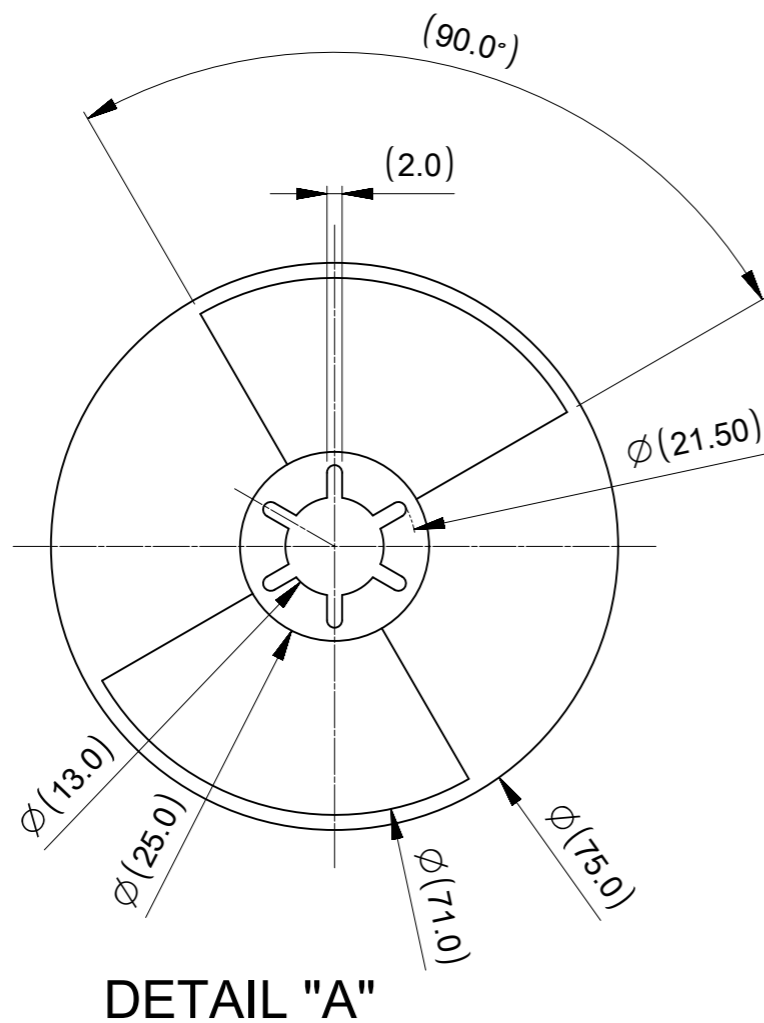
METAL MASK THICKNESS : WHEN 0.1mm  
 - SIGNAL TERMINAL OPENING RATIO : 70%  
 - FITTING NAIL(POWER)OPENING RATIO : 100%

SYMBOLS	THIS DRAWING CONTAINS INFORMATION THAT IS PROPRIETARY TO MOLEX ELECTRONIC TECHNOLOGIES, LLC AND SHOULD NOT BE USED WITHOUT WRITTEN PERMISSION										
	DIMENSION UNITS	SCALE	CURRENT REV DESC:								
mm	20:1										
▽ = 0	GENERAL TOLERANCES (UNLESS SPECIFIED)		EC NO: 622024							0.35 BTB PLUG ASSY 54CKTS	
▽ = 0	ANGULAR TOL ± 1.0°		DRWN: SYKO01 2019/06/25								
▽ = 0	4 PLACES ± 0.05		CHK'D: KSKIM 2019/08/07							PRODUCT CUSTOMER DRAWING	
▽ = 0	3 PLACES ± 0.05		APPR: YSKIM02 2019/08/07								
▽ = 0	2 PLACES ± 0.05		INITIAL REVISION:							DOCUMENT NUMBER	
▽ = 0	1 PLACE ± 0.1		DRWN: SYKO01 2019/01/03								
▽ = 0	0 PLACES ± 0.2		APPR: YSKIM02 2019/04/12							DOC TYPE	
□ = 0	DRAFT WHERE APPLICABLE MUST REMAIN WITHIN DIMENSIONS		THIRD ANGLE PROJECTION		DRAWING	SERIES	MATERIAL NUMBER		CUSTOMER		
□ = 0			A2-SIZE		207472			GENERAL		A1	
□ = 0									SHEET NUMBER		
										2 OF 2	

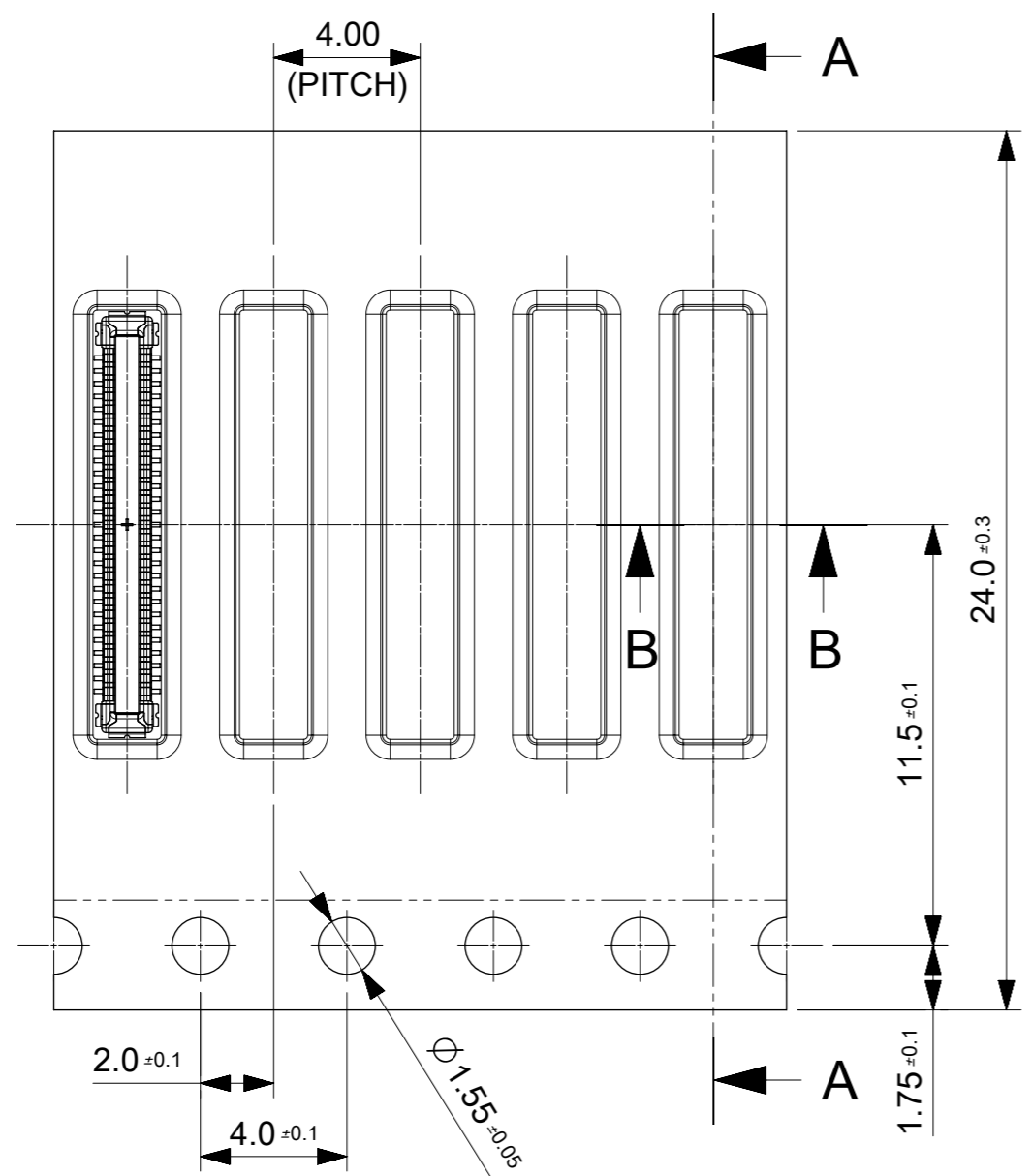


NOTES

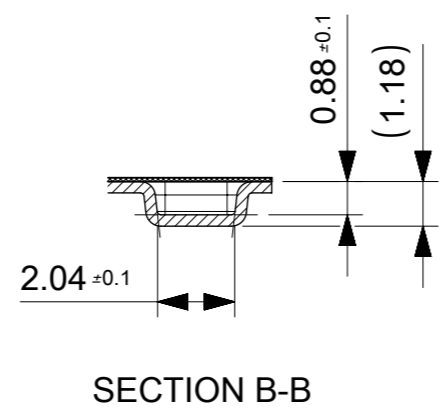
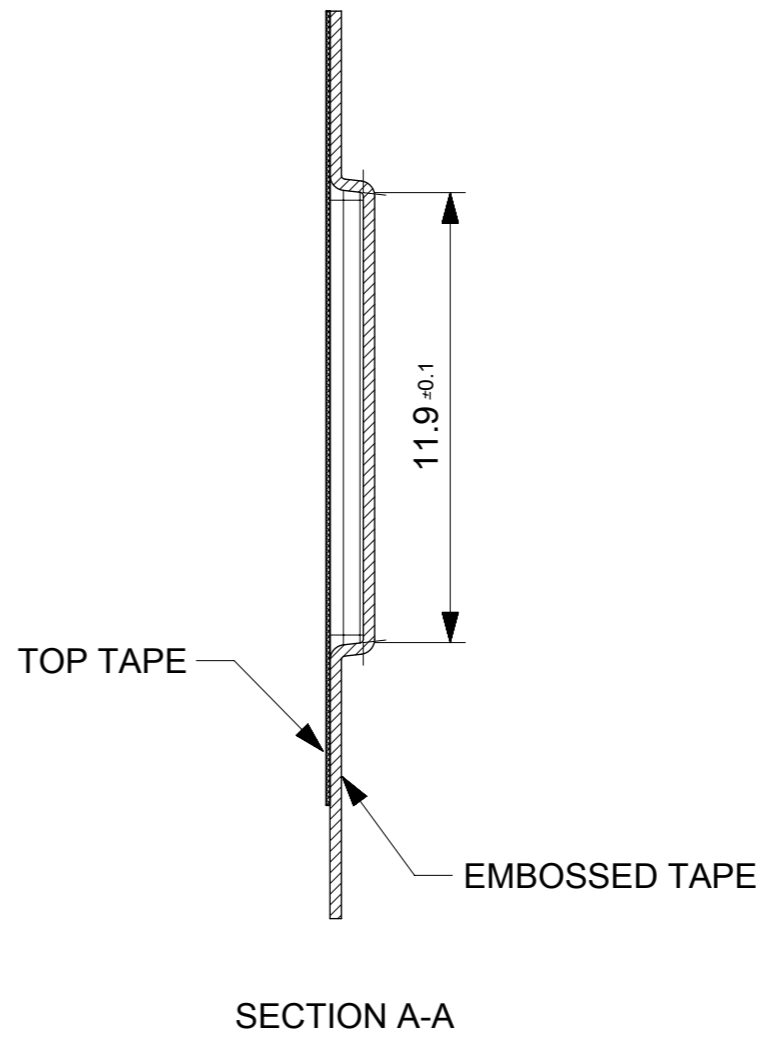
1. RE DETAILED DIMENSION, SEE PRODUCT DRAWING.
2. NUMBER OF CONNECTORS : 15,000PCS/REEL
3. LEAD TAPE LENGTH :
4. PEEL OFF FORCE OF THE TOP TAPE IS DEFINED BY IEC 60286-3.
5. MATERIAL  
 - CARRIER TAPE : POLYSTYRENE OR PET  
 - TOP TAPE : PET, OTHER  
 - REEL : POLYSTYRENE(PS) [RECYCLE MATERIAL CONTAINED]
6. ELV AND RoSH COMPLIANT.
7. REFER TO 2074710540PS001 FOR CONDITIONS AFTER OPENED THE PACKAGE.



THIS DRAWING CONTAINS INFORMATION THAT IS PROPRIETARY TO MOLEX ELECTRONIC TECHNOLOGIES, LLC AND SHOULD NOT BE USED WITHOUT WRITTEN PERMISSION										
SYMBOLS	DIMENSION UNITS	SCALE	CURRENT REV DESC:							
	mm	1:1								
GENERAL TOLERANCES (UNLESS SPECIFIED)			EC NO: 622024				0.35 BTB PLUG ASSY 54CKTS EMBSTP PKG			
ANGULAR TOL $\pm 1.0^\circ$			DRWN: SYKO01 2019/06/25							
4 PLACES $\pm 0.05$			CHK'D: KSKIM 2019/08/07				PRODUCT CUSTOMER DRAWING			
3 PLACES $\pm 0.05$			APPR: YSKIM02 2019/08/07							
2 PLACES $\pm 0.05$			INITIAL REVISION:				DOCUMENT NUMBER: 2074720541			
1 PLACE $\pm 0.1$			DRWN: SYKO01 2019/01/03							
0 PLACES $\pm 0.2$			APPR: YSKIM02 2019/04/12				DOC TYPE: PSD			
DRAFT WHERE APPLICABLE MUST REMAIN WITHIN DIMENSIONS			THIRD ANGLE PROJECTION		DRAWING: A3-SIZE					DOC PART: 000
					SERIES: 207472		MATERIAL NUMBER: SEE CHART		CUSTOMER: GENERAL	SHEET NUMBER: 1 OF 2



← PULL OUT DIRECTION



THIS DRAWING CONTAINS INFORMATION THAT IS PROPRIETARY TO MOLEX ELECTRONIC TECHNOLOGIES, LLC AND SHOULD NOT BE USED WITHOUT WRITTEN PERMISSION																																																																																																																						
SYMBOLS	DIMENSION UNITS	SCALE	CURRENT REV DESC:																																																																																																																			
	mm	1:1	<table border="1"> <tr> <td colspan="2"><b>molex</b></td> <td colspan="5">0.35 BTB PLUG ASSY 54CKTS EMBSTP PKG</td> </tr> <tr> <td colspan="7">GENERAL TOLERANCES (UNLESS SPECIFIED)</td> <td colspan="2">PRODUCT CUSTOMER DRAWING</td> </tr> <tr> <td>ANGULAR TOL</td> <td>± 1.0 °</td> <td colspan="5">EC NO: 622024</td> <td colspan="2">DOCUMENT NUMBER</td> </tr> <tr> <td>4 PLACES</td> <td>± 0.05</td> <td colspan="5">DRWN: SYKO01 2019/06/25</td> <td colspan="2">2074720541</td> </tr> <tr> <td>3 PLACES</td> <td>± 0.05</td> <td colspan="5">CHK'D: KSKIM 2019/08/07</td> <td colspan="2">DOC TYPE</td> </tr> <tr> <td>2 PLACES</td> <td>± 0.05</td> <td colspan="5">APPR: YSKIM02 2019/08/07</td> <td colspan="2">PSD</td> </tr> <tr> <td>1 PLACE</td> <td>± 0.1</td> <td colspan="5">INITIAL REVISION:</td> <td colspan="2">DOC PART</td> </tr> <tr> <td>0 PLACES</td> <td>± 0.2</td> <td colspan="5">DRWN: SYKO01 2019/01/03</td> <td colspan="2">000</td> </tr> <tr> <td colspan="2">DRAFT WHERE APPLICABLE MUST REMAIN WITHIN DIMENSIONS</td> <td colspan="2">THIRD ANGLE PROJECTION</td> <td colspan="2">DRAWING</td> <td colspan="2">SERIES</td> <td colspan="2">REVISION</td> </tr> <tr> <td colspan="2"></td> <td colspan="2">A3-SIZE</td> <td colspan="2">207472</td> <td colspan="2">GENERAL</td> <td colspan="2">A1</td> </tr> <tr> <td colspan="3"></td> <td colspan="2">MATERIAL NUMBER</td> <td colspan="2">CUSTOMER</td> <td colspan="3">SHEET NUMBER</td> </tr> <tr> <td colspan="3"></td> <td colspan="2">SEE CHART</td> <td colspan="2">GENERAL</td> <td colspan="3">2 OF 2</td> </tr> </table>							<b>molex</b>		0.35 BTB PLUG ASSY 54CKTS EMBSTP PKG					GENERAL TOLERANCES (UNLESS SPECIFIED)							PRODUCT CUSTOMER DRAWING		ANGULAR TOL	± 1.0 °	EC NO: 622024					DOCUMENT NUMBER		4 PLACES	± 0.05	DRWN: SYKO01 2019/06/25					2074720541		3 PLACES	± 0.05	CHK'D: KSKIM 2019/08/07					DOC TYPE		2 PLACES	± 0.05	APPR: YSKIM02 2019/08/07					PSD		1 PLACE	± 0.1	INITIAL REVISION:					DOC PART		0 PLACES	± 0.2	DRWN: SYKO01 2019/01/03					000		DRAFT WHERE APPLICABLE MUST REMAIN WITHIN DIMENSIONS		THIRD ANGLE PROJECTION		DRAWING		SERIES		REVISION				A3-SIZE		207472		GENERAL		A1					MATERIAL NUMBER		CUSTOMER		SHEET NUMBER						SEE CHART		GENERAL		2 OF 2	
<b>molex</b>		0.35 BTB PLUG ASSY 54CKTS EMBSTP PKG																																																																																																																				
GENERAL TOLERANCES (UNLESS SPECIFIED)							PRODUCT CUSTOMER DRAWING																																																																																																															
ANGULAR TOL	± 1.0 °	EC NO: 622024					DOCUMENT NUMBER																																																																																																															
4 PLACES	± 0.05	DRWN: SYKO01 2019/06/25					2074720541																																																																																																															
3 PLACES	± 0.05	CHK'D: KSKIM 2019/08/07					DOC TYPE																																																																																																															
2 PLACES	± 0.05	APPR: YSKIM02 2019/08/07					PSD																																																																																																															
1 PLACE	± 0.1	INITIAL REVISION:					DOC PART																																																																																																															
0 PLACES	± 0.2	DRWN: SYKO01 2019/01/03					000																																																																																																															
DRAFT WHERE APPLICABLE MUST REMAIN WITHIN DIMENSIONS		THIRD ANGLE PROJECTION		DRAWING		SERIES		REVISION																																																																																																														
		A3-SIZE		207472		GENERAL		A1																																																																																																														
			MATERIAL NUMBER		CUSTOMER		SHEET NUMBER																																																																																																															
			SEE CHART		GENERAL		2 OF 2																																																																																																															