

ITEM	PART#	DESCRIPTION	QTY	UOM
A	2053410204	PICO-LOCK 2.0 W/B REC HSG 4P	1	PC
B	2053425028	PICO-LOCK 2.0 W/B REC TERM PL AWG#20-22	4	PC
C	--	PAPER PRINTED PAPER WHITE	1	PC

FROM	TO	DESCRIPTION	COLOR
A1	--	1X20AWG DISC SR-PVC BK UL10002	BLACK
A2	--	1X20AWG DISC SR-PVC BK UL10002	BLACK
A3	--	1X20AWG DISC SR-PVC BK UL10002	BLACK
A4	--	1X20AWG DISC SR-PVC BK UL10002	BLACK

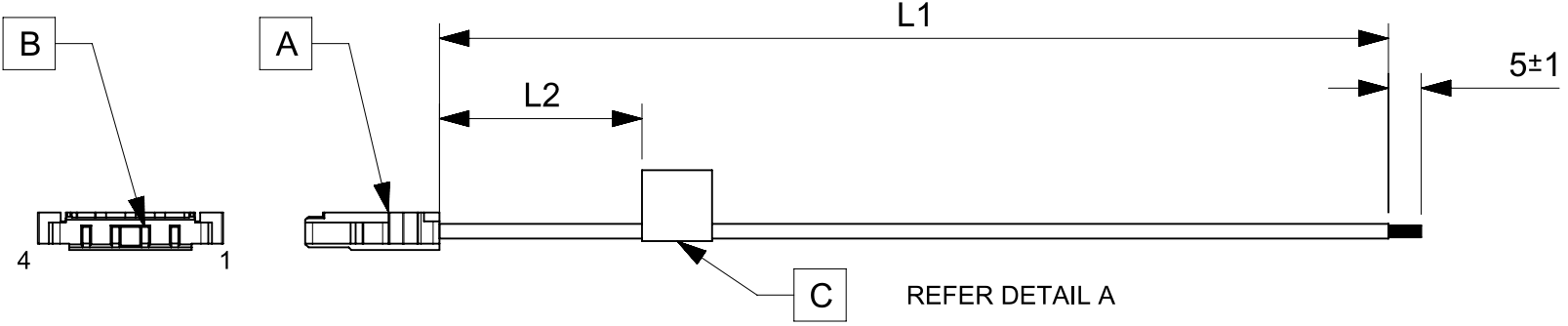


TABLE			
PART NUMBER	L1	L2 (REF)	TITLE
2196572040	50±3	15	Pico-Lock 2.0 R-S 4ckt 50mm disc Au
2196572041	100±3	15	Pico-Lock 2.0 R-S 4ckt 100mm disc Au
2196572042	150±4	15	Pico-Lock 2.0 R-S 4ckt 150mm disc Au
2196572043	300±4	15	Pico-Lock 2.0 R-S 4ckt 300mm disc Au
2196572044	600±6	15	Pico-Lock 2.0 R-S 4ckt 600mm disc Au

- NOTES**
1. Connector view shown is from mating side.
 2. Label text must be 2mm max. in height with Arial font.
 3. Label must be wrapped in Flag type on a single cable.
 4. Free ends must be stripped, twisted & tinned. The length of tinning is 5±1mm. Tinning Dia must be 1.25mm Max.

MOLEX P/N
MOLEX
BATCH WK/YR
DETAIL A

REVISION			
DATE	REV	DESCRIPTION	CHANGER
2021/12/27	A	INITIAL RELEASE	SAIKIG

FUNCTIONAL SYMBOLS $\nabla_A = 0$ $\nabla_E = 0$ $\nabla_P = 0$ DIVISIONAL SYMBOLS	THIS DRAWING CONTAINS INFORMATION THAT IS PROPRIETARY TO MOLEX ELECTRONIC TECHNOLOGIES, LLC AND SHOULD NOT BE USED WITHOUT WRITTEN PERMISSION		CURRENT REV DESC:		 SEE TABLE PRODUCT CUSTOMER DRAWING
	DIMENSION UNITS	SCALE	EC NO: 690897		
	mm	NTS	DRWN: SAIKIG 2021/12/27		
	GENERAL TOLERANCES (UNLESS SPECIFIED)		CHK'D: MNARAYAN01 2022/01/13		
ANGULAR TOL ± °		APPR: MNARAYAN01 2022/01/13		DOCUMENT NUMBER	
4 PLACES ±		INITIAL REVISION:		2196572040	
3 PLACES ±		DRWN: SAIKIG 2021/12/27		PSD 000 A	
2 PLACES ±		APPR: MNARAYAN01 2022/01/13		DOC PART	
1 PLACE ±		DRAFT WHERE APPLICABLE MUST REMAIN WITHIN DIMENSIONS		REVISION	
0 PLACES ±		THIRD ANGLE PROJECTION		SERIES	
		DRAWING		MATERIAL NUMBER	
		A4-SIZE		219657	
		CUSTOMER		GENERAL MARKET	
		SHEET NUMBER		1 OF 1	