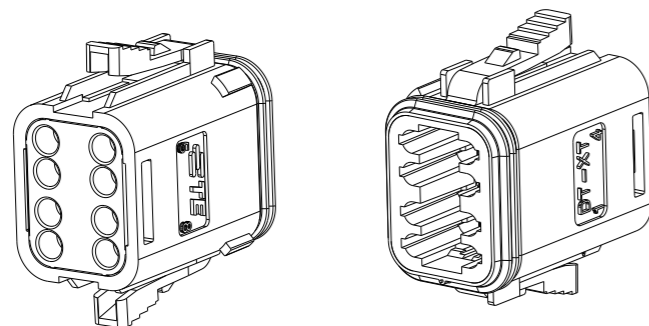
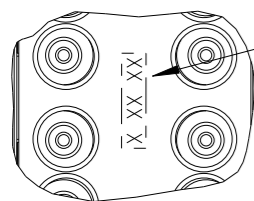
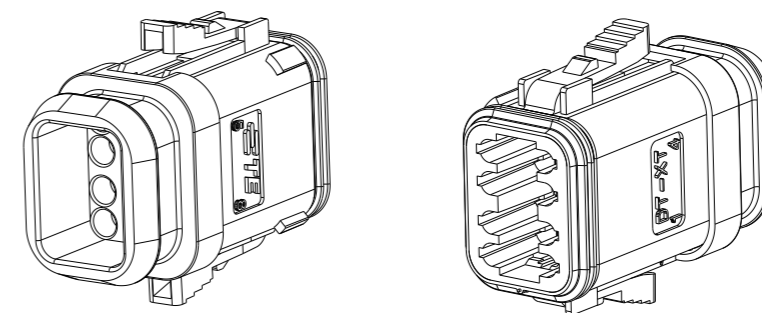


P	LTR	DESCRIPTION	DATE	DWN	APVD
	A	INITIAL RELEASE	12JUN2020	J.S	I.Y
	A1	ECR-20-010349	26JUL2020	J.G	I.Y
	A2	ECR-20-013768	28SEP2020	J.G	I.Y
	A3	ECN-21-113425	17AUG2021	J.G	Z.Z

8CCT PLUG CONNECTOR



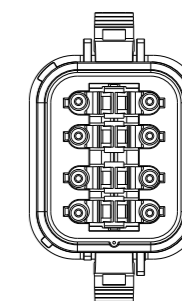
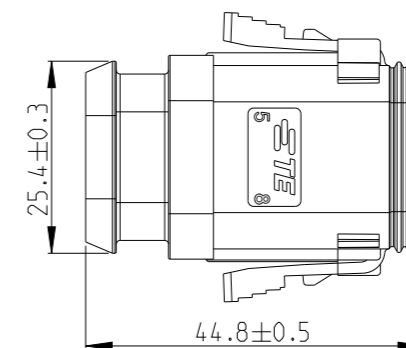
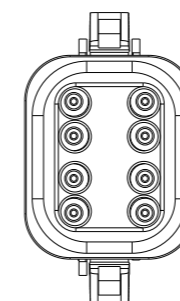
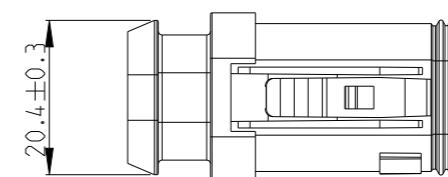
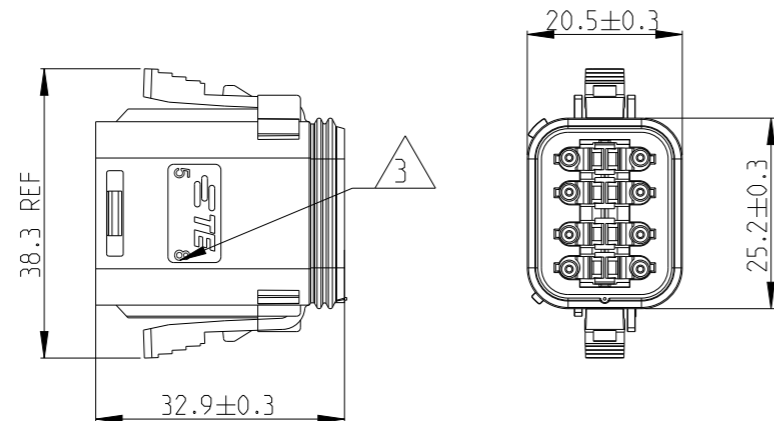
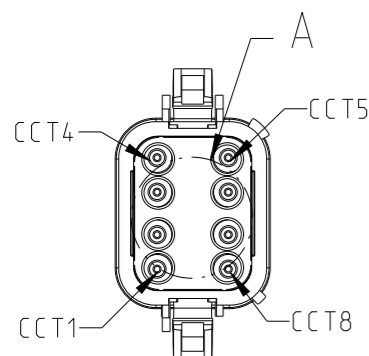
8CCT PLUG CONNECTOR WITH HEATSHRINK HOUSING ULTRASONICALLY WELDED IN PLACE



DATE CODE: X XX XX
 X- DAY: 1- 7
 XX- WEEK: 01 - 52
 XX- YEAR: 00 - 99
 # MACHINE NO. 1

EXAMPLE: 11315 = DAY 1, WEEK 13, YEAR 15
 i.e. 23rd OF MARCH 2015

DETAIL A
 SCALE 2:1



1. THIS PLUG MATES WITH RECEP ASSEMBLY PN X-2600038-X, WEDGE LOCK PN W8S.

2. MATERIAL
 PLUG HOUSING: NYLON GF30, PLUG SEAL: SILICONE RUBBER, RED
 BACK SEAL: SILICONE RUBBER
 BACK COVER: NYLON GF30, BLACK
 HEATSHRINK HOUSING: NYLON GF30, BLACK

3 CIRCUIT IDENTIFICATION

4. JACKET RANGE LARGE = Ø2.23MM TO 3.68MM (SEAL COLOUR: LIGHT BLUE)
 JACKET RANGE SMALL = Ø1.35MM TO 3.05MM (SEAL COLOUR: BURNT ORANGE)

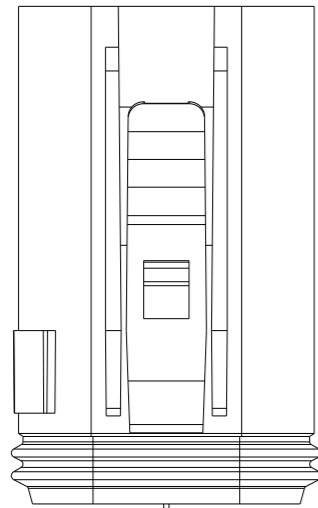
5. SEE SHEET 3 FOR FINAL PART NUMBER DESIGNATION

THIS DRAWING IS A CONTROLLED DOCUMENT.		DWN J. Shang	12JUN2020		
		CHK E. Jiang	12JUN2020		
		APVD I. Yin	12JUN2020		
		PRODUCT SPEC	108-160026		
DIMENSIONS: mm 		TOLERANCES UNLESS OTHERWISE SPECIFIED: 0 PLC ± 1 PLC ± 2 PLC ± 3 PLC ± 4 PLC ± ANGLES ± FINISH -		NAME 8CCT DT-XT CONNECTOR PLUG ASSEMBLY	
MATERIAL		APPLICATION SPEC		SIZE	RESTRICTED TO
		WEIGHT		A3	
		CUSTOMER DRAWING		CAGE CODE	DRAWING NO
				00779	C-2600039
		SCALE		SHEET	REV
		1:1		1 OF 3	A3

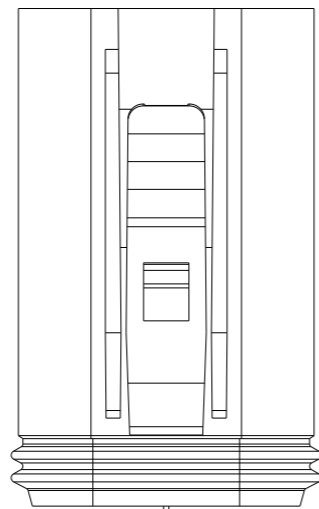
REVISIONS

P	LTR	DESCRIPTION	DATE	DWN	APVD
		SEE SHEET 1			

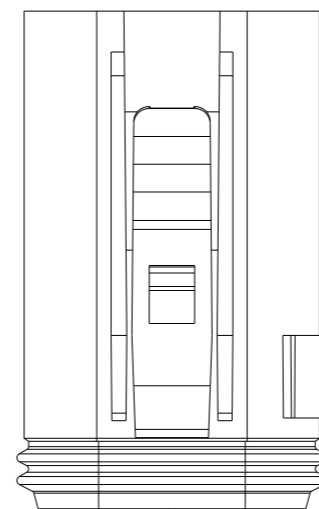
KEYING OPTION A



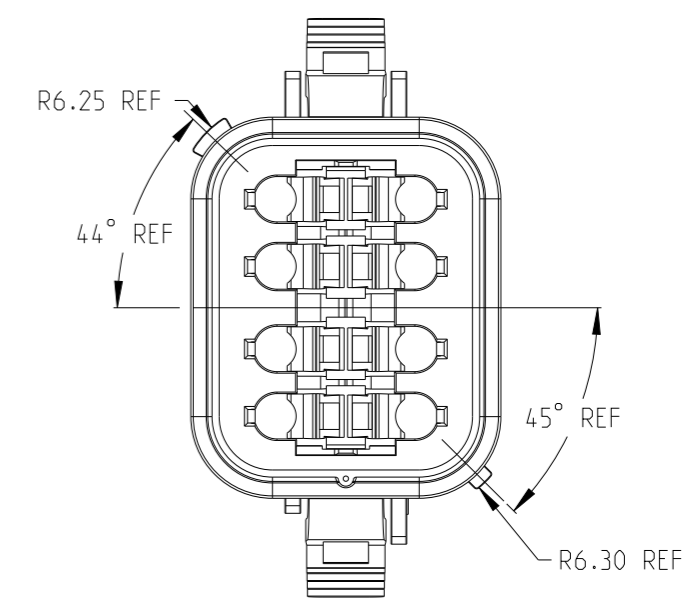
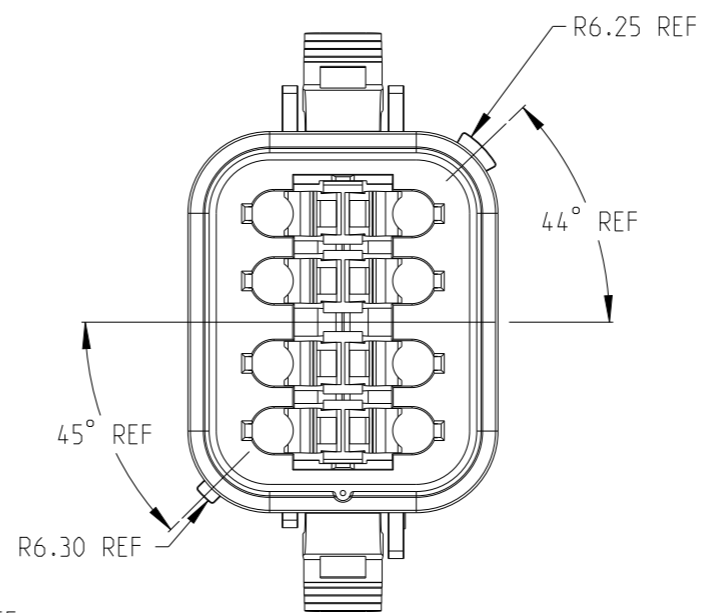
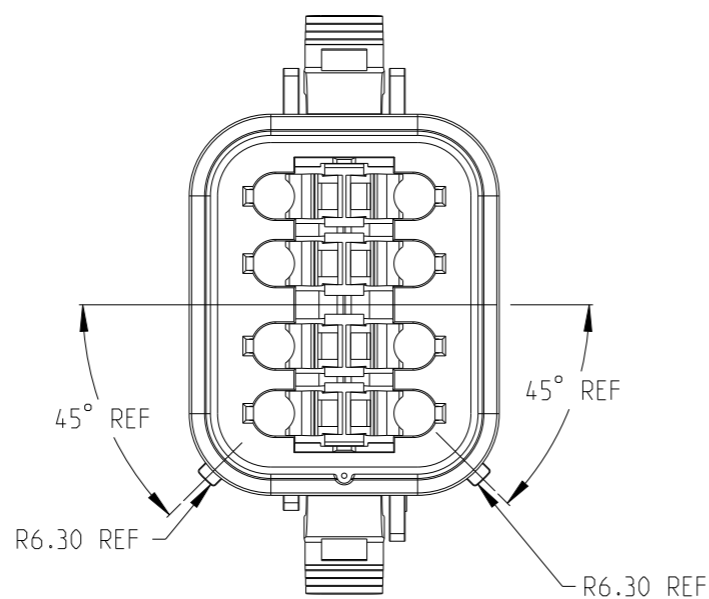
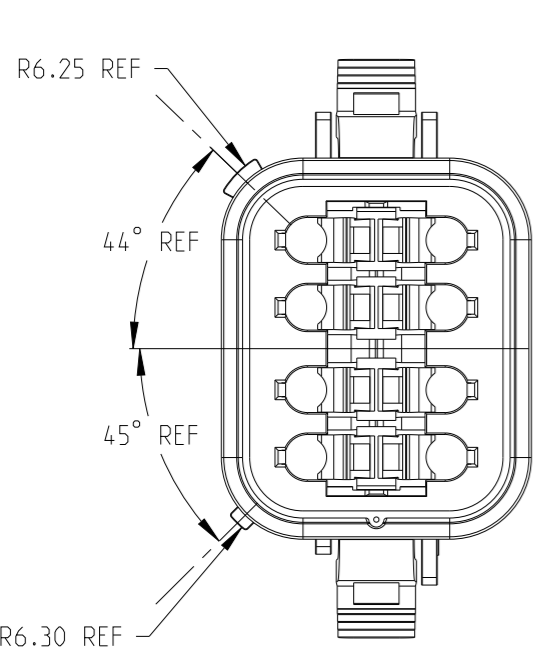
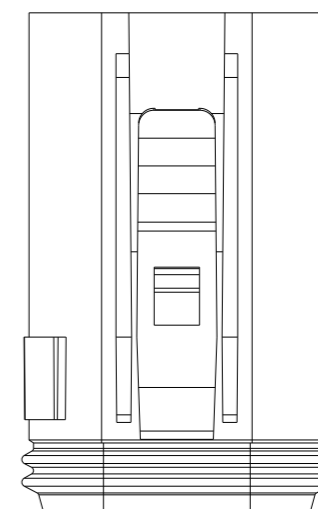
KEYING OPTION B



KEYING OPTION C



KEYING OPTION D



THIS DRAWING IS A CONTROLLED DOCUMENT.

DWN J.Shang 12JUN2020

CHK E.Jiang 12JUN2020

APVD L.Yin 12JUN2020

PRODUCT SPEC 108-160026

APPLICATION SPEC 114-160017

WEIGHT -

CUSTOMER DRAWING



TE Connectivity

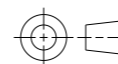
NAME 8CCT DT-XT CONNECTOR PLUG ASSEMBLY

SIZE A3 CAGE CODE 00779 DRAWING NO C-2600039 RESTRICTED TO -

SCALE 2:1 SHEET 2 OF 3 REV A3

DIMENSIONS:

mm



TOLERANCES UNLESS OTHERWISE SPECIFIED:

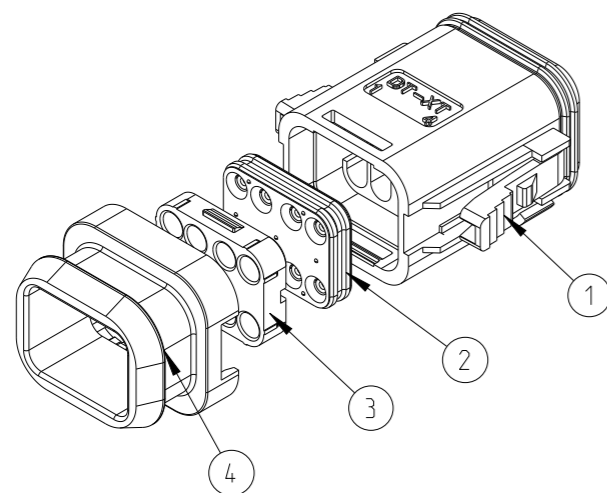
- 0 PLC ±
- 1 PLC ±
- 2 PLC ±
- 3 PLC ±
- 4 PLC ±
- ANGLES ±
- FINISH -

MATERIAL -

-

REVISIONS

P	LTR	DESCRIPTION	DATE	DWN	APVD
		SEE SHEET 1			



QTY.	TE PN	ALIAS PN	REVISION OF EACH ASSY NO.	WEIGHT OF EACH ASSY(g)	KEYING	A	A	B	C	D	BACK SEAL SMALL	BACK SEAL LARGE	BACK COVER	HEATSHRINK HOUSING
2-	-0	934455647	-	15.42						1		1	1	1
1-	-9	934455633	-	15.42					1			1	1	1
1-	-8	934455621	-	15.42				1				1	1	1
1-	-7	934455611	-	15.42					1			1	1	1
1-	-6	934455612	-	15.42						1			1	1
1-	-5	934455547	-	15.42						1	1		1	1
1-	-4	934455533	-	15.42					1		1		1	1
1-	-3	934455521	-	15.42					1		1		1	1
1-	-2	934455511	-	15.42					1				1	1
1-	-1	934455512	-	15.42						1			1	1
1-	-0	934455247	-	12.57						1		1	1	-
	-9	934455233	-	12.57					1			1	1	-
	-8	934455221	-	12.57					1			1	1	-
	-7	934455211	-	12.57					1			1	1	-
	-6	934455212	-	12.57						1			1	-
	-5	934455147	-	12.57						1	1		1	-
	-4	934455133	-	12.57					1		1		1	-
	-3	934455121	-	12.57					1		1		1	-
	-2	934455111	-	12.57					1		1		1	-
	-1	934455112	-	12.57						1			1	-
TE PN	ALIAS PN	REVISION OF EACH ASSY NO.	WEIGHT OF EACH ASSY(g)		KEYING	A	A	B	C	D				
					COLOR	GREY	BLACK	BLACK	GREEN	BROWN	BURNT ORANGE	LIGHT BLUE	BLACK	BLACK
					MATERIAL	NYLON GF30	NYLON GF30	NYLON GF30	NYLON GF30	NYLON GF30	SILICONE RUBBER	SILICONE RUBBER	NYLON GF30	NYLON GF30
					DESCRIPTION	PLUG HOUSING					BACK SEAL SMALL	BACK SEAL LARGE	BACK COVER	HEATSHRINK HOUSING
					ITEM NO	1					2		3	4

THIS DRAWING IS A CONTROLLED DOCUMENT.

DIMENSIONS:	TOLERANCES UNLESS OTHERWISE SPECIFIED:
mm	
	0 PLC ±
	1 PLC ±
	2 PLC ±
	3 PLC ±
	4 PLC ±
	ANGLES ±
MATERIAL	FINISH
-	-
-	-

DWN	J. Shang	12 JUN 2020
CHK	E. Jiang	12 JUN 2020
APVD	L. Yin	12 JUN 2020
PRODUCT SPEC	108-160026	
APPLICATION SPEC	114-160017	
WEIGHT	-	
CUSTOMER DRAWING		

TE TE Connectivity

NAME: 8CCT DT-XT CONNECTOR PLUG ASSEMBLY

SIZE	CAGE CODE	DRAWING NO	RESTRICTED TO
A3	00779	©=2600039	-

SCALE: 1:1 SHEET: 3 OF 3 REV: A3