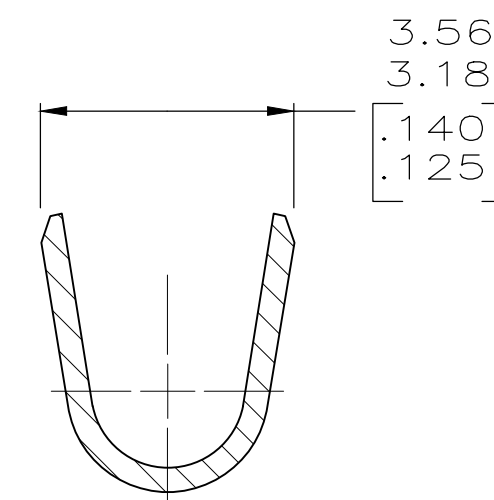
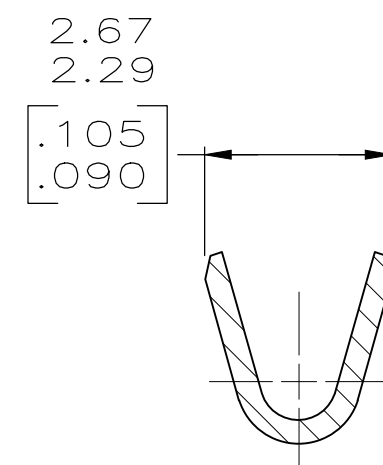
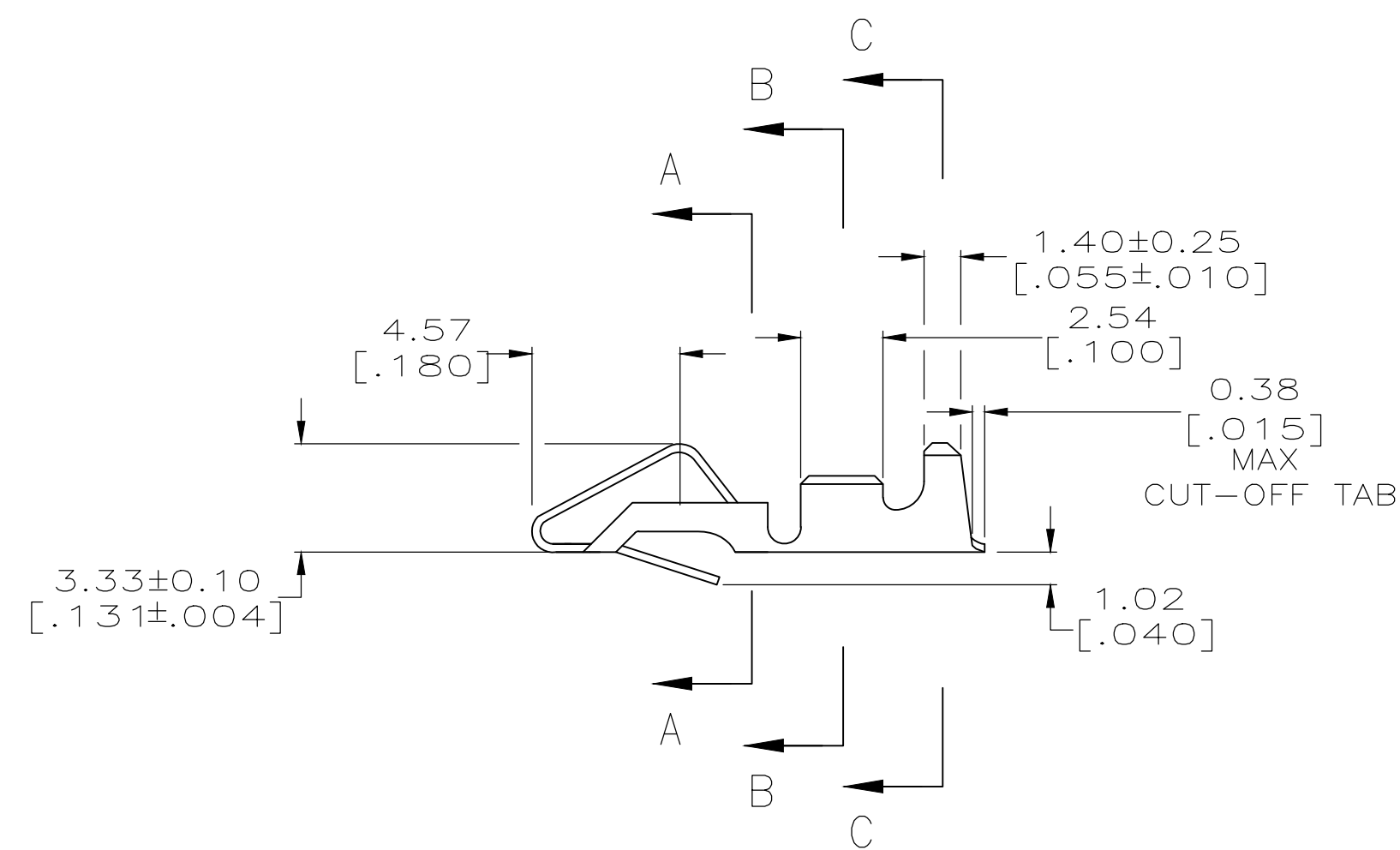
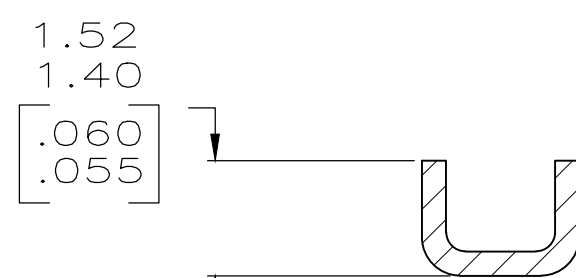
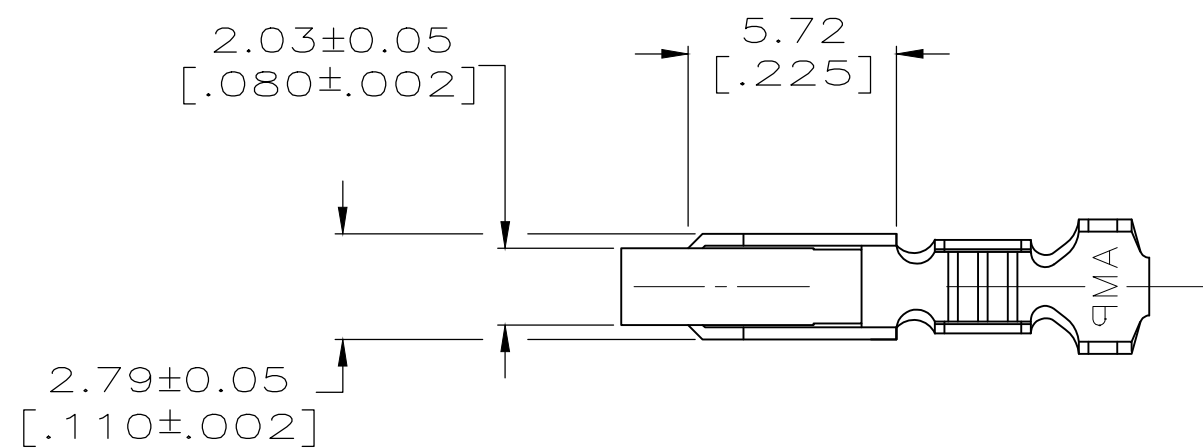


THIS DRAWING IS UNPUBLISHED. RELEASED FOR PUBLICATION
 © COPYRIGHT - TE Connectivity Ltd. ALL RIGHTS RESERVED.

REVISIONS				
P	LTR	DESCRIPTION	DATE	APVD
C1		REVISED PER ECO-18-001550	02MAY2018	RS SG

- ① 0.00203 [.000080] MIN BRIGHT TIN-LEAD OVER
0.00127 [.000050] MIN NICKEL.
- 2. WIRE RANGE: 0.2-0.9mm² (24-18 AWG).
INSULATION RANGE: 2.79 [.110] DIA MAX.
- 3. DIMENSIONS IN BRACKETS ARE IN INCHES.
- ④ 0.00203 [.000080] MIN BRIGHT TIN OVER
0.00127 [.000050] MIN NICKEL.
- ⑤ OBSOLETE



SECTION B-B
SCALE 10:1

SECTION C-C
SCALE 10:1

METRIC

④	3-640707-1
①	⑤ 640707-1
FINISH	PART NO

THIS DRAWING IS A CONTROLLED DOCUMENT.		DWN S. CARPENTER 21AUG2003	TE Connectivity Ltd.	
DIMENSIONS: INCHES		CHK J. ELLIS 21AUG2003	RECEPTACLE, SL-156, LOOSE PIECE	
TOLERANCES UNLESS OTHERWISE SPECIFIED:		APVD J. ELLIS 21AUG2003		
		PRODUCT SPEC	NAME	RESTRICTED TO
MATERIAL 0.33 [.013] BRASS		FINISH SEE TABLE	APPLICATION SPEC	SIZE A2
		WEIGHT 0.000000	CAGE CODE 00779	DRAWING NO C-640707
		CUSTOMER DRAWING	SCALE 5:1	SHEET 1 of 1
			REV C1	