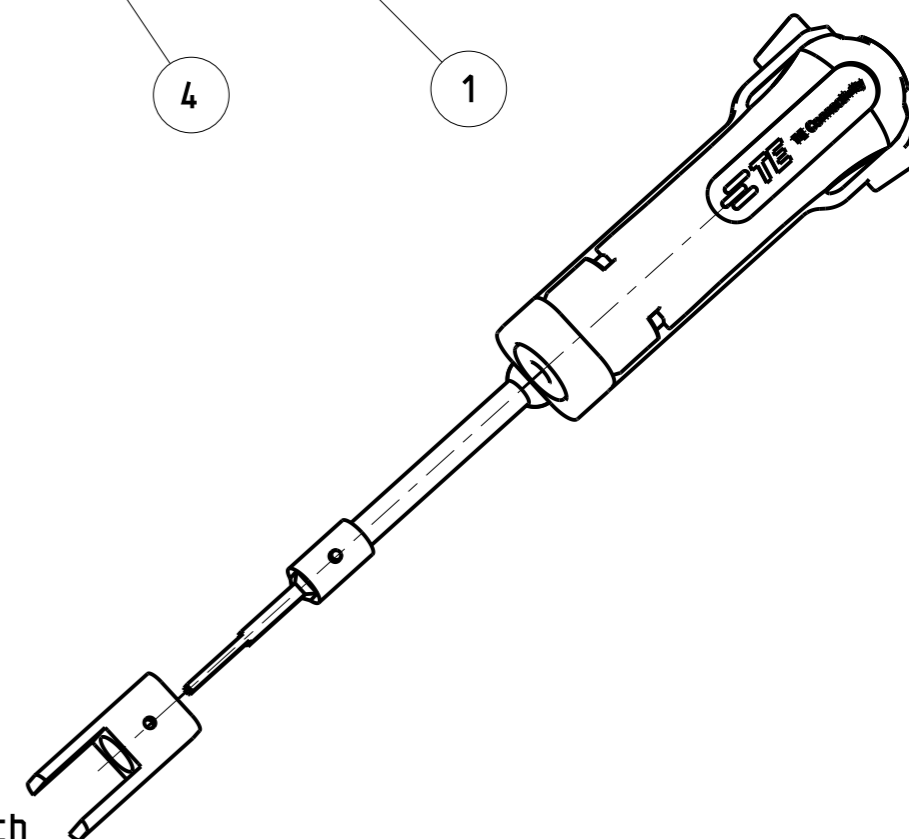
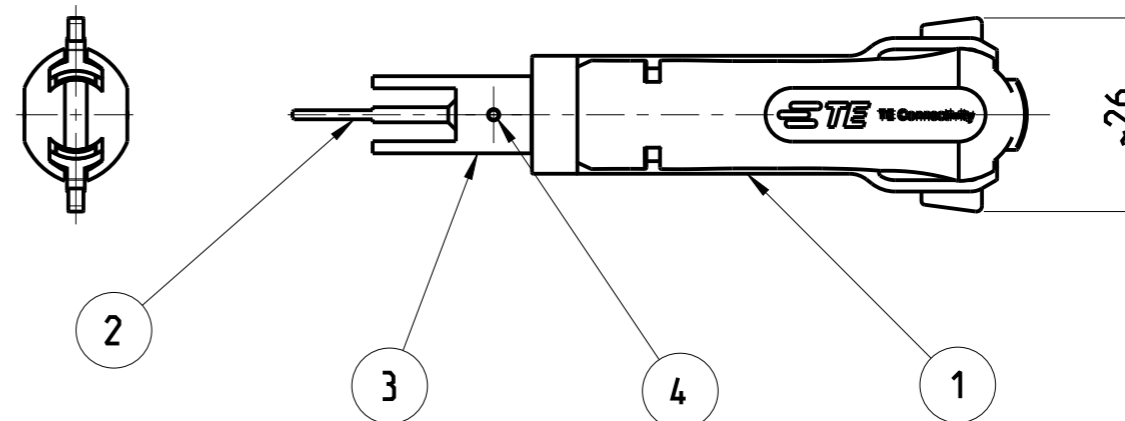
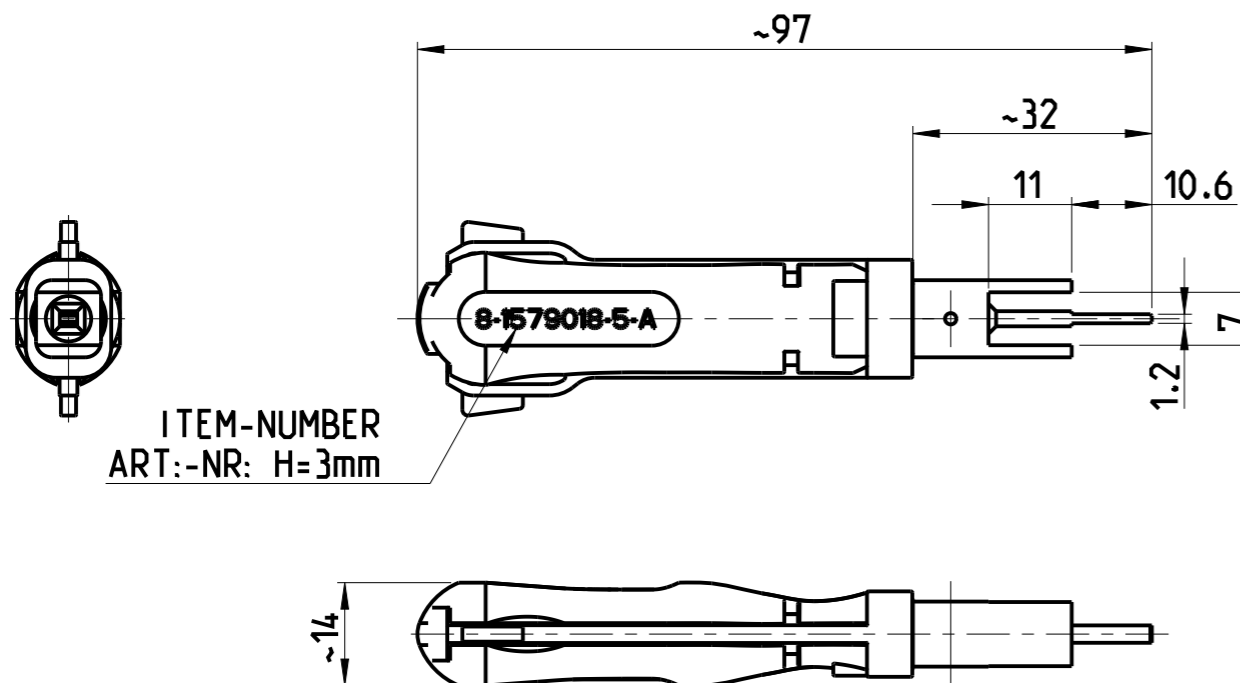


P	LTR	DESCRIPTION	DATE	DWN	APVD
A1	ECR-16-013161		14SEP2016	KH	BM
A2	ECR-20-017979		02FEB2021	PNT	GS



POS	QTY	TE P/N	REV	DESCRIPTION	SPARE PARTS	WEAR PARTS
1	1	4-1579018-1	B	HANDLE GRIP 65. ORANGE/BLUE HANDGRIFF 65		
2	1	1-519703-9	A	EXTRACTION PIN ENTRIEGELUNGSSTIFT		
3	1	7-519694-8	A	GUIDE FUEHRUNG		
4	1	519051-3	A	ZYL.-STIFT 1.5M6*10 DIN 6325 -ST		

Application range / Anwendungsbereich

For open and close the SLD of the tab housing P/N 1801606.

THIS DRAWING IS A CONTROLLED DOCUMENT.		DWN R. Germann 14SEP2011		
DIMENSIONS: mm		CHK G. Stegmayer 14SEP2011		
TOLERANCES UNLESS OTHERWISE SPECIFIED:		APVD G. Stegmayer 14SEP2011	NAME Locking tool Verriegelungswerkzeug	
		PRODUCT SPEC	RESTRICTED TO	
MATERIAL		FINISH	APPLICATION SPEC	SIZE A3
		WEIGHT 0.016 kg	CAGE CODE 00779	DRAWING NO C-8-1579018-5
		CUSTOMER DRAWING	SCALE 1:1	SHEET 1 OF 1
				REV A2