

PART NUMBER	REVISION	DESCRIPTION	FEED TYPE
2151142-1	H	FINE CRIMP HEIGHT ADJUST	MECHANICAL
2151142-2	H	FINE CRIMP HEIGHT ADJUST	PNEUMATIC
7-2151142-1	H	MECHANICAL AND CRIMP TOOLING KIT	MECHANICAL
7-2151142-2	H	PNEUMATIC AND CRIMP TOOLING KIT	PNEUMATIC
7-2151142-7	A	CRIMP TOOLING KIT	-

ATLANTIC VERSION TERMINATOR INTERFACE ADAPTER



APPLICATOR DATA		
CRIMP	SIZE	TYPE
WIRE	1.07 mm [.042]	F
INSUL	1.78 mm [.070]	F

APPLICATOR INSTRUCTIONS  
408-35042

TERMINAL DATA: TE TERMINAL		TE CRIMP SPECIFICATION	
TERMINAL NAME: CRIMP SNAP-IN, MICRO MATE-N-LOCK			
WIRE STRIP LENGTH		INSULATION DIAMETER RANGE	
2.90-3.53 mm [.114-.139 IN]		∅0.89-1.52 mm [.035-.060 IN]	
TERMINAL APPLICATION SPECIFICATION	114-13000		
TERMINALS APPLIED			
TERMINAL	TERMINAL	TERMINAL	TERMINAL
794607-1	794607-2	794607-3	1-794607-1
1-794607-2			

WIRE SIZE	CRIMP HEIGHT mm [INCH]	CRIMP HEIGHT REFERENCE SETTING
26 AWG	0.61+/-0.05 [.024+/- .002]	9.6
28 AWG	0.56+/-0.05 [.022+/- .002]	10.1
30 AWG	0.51+/-0.05 [.020+/- .002]	10.7

- 1 RECOMMENDED SPARE PARTS
- 2 REFER TO SUPPLIED INSTRUCTION SHEET FOR CLEANING, LUBRICATION AND STORAGE OF APPLICATOR.
- 3 APPLY PART NUMBER 2-23419-6 LOCTITE TO THREADS OF ITEM 242.
- 4 CRIMP HEIGHT REFERENCE SETTING WAS THE SETTING USED WHEN THE APPLICATOR WAS QUALIFIED AT THE FACTORY. ADJUSTMENT MAY BE NECESSARY WHEN RUNNING APPLICATOR IN THE FIELD.
- 5. UNLESS SPECIFIED OTHERWISE TORQUE VALUES SHALL BE USED PER DOCUMENT, 101-35000.
- 6 TERMINAL LUBRICANT IS RECOMMENDED.

**\*WARNING**  
ON INSTALLATION, SET WIRE DISC TO CRIMP HEIGHT REFERENCE SETTING FOR LARGEST WIRE SIZE. CRIMP HEIGHT REFERENCE SETTINGS GREATER THAN THE VALUE SHOWN MAY CAUSE DAMAGE TO THE CRIMP TOOLING, REFER TO THE INSTRUCTION SHEET FOR PROPER SETUP AND ADJUSTMENTS.

**ATLANTIC VERSION**  
Shown on sheets 1 of 4 & 2 of 4  
(Pacific version shown on sheets 3 of 4 & 4 of 4)

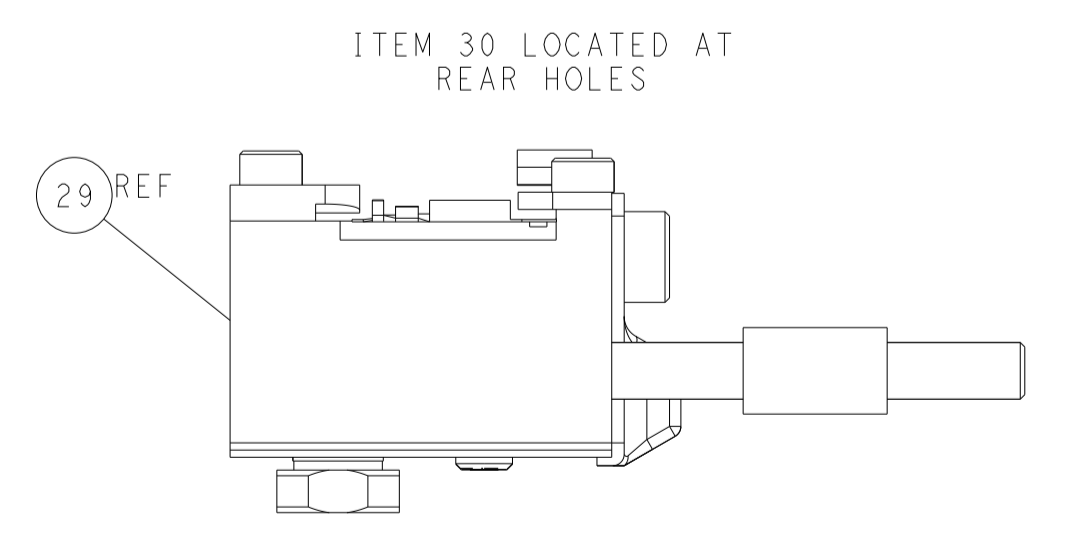
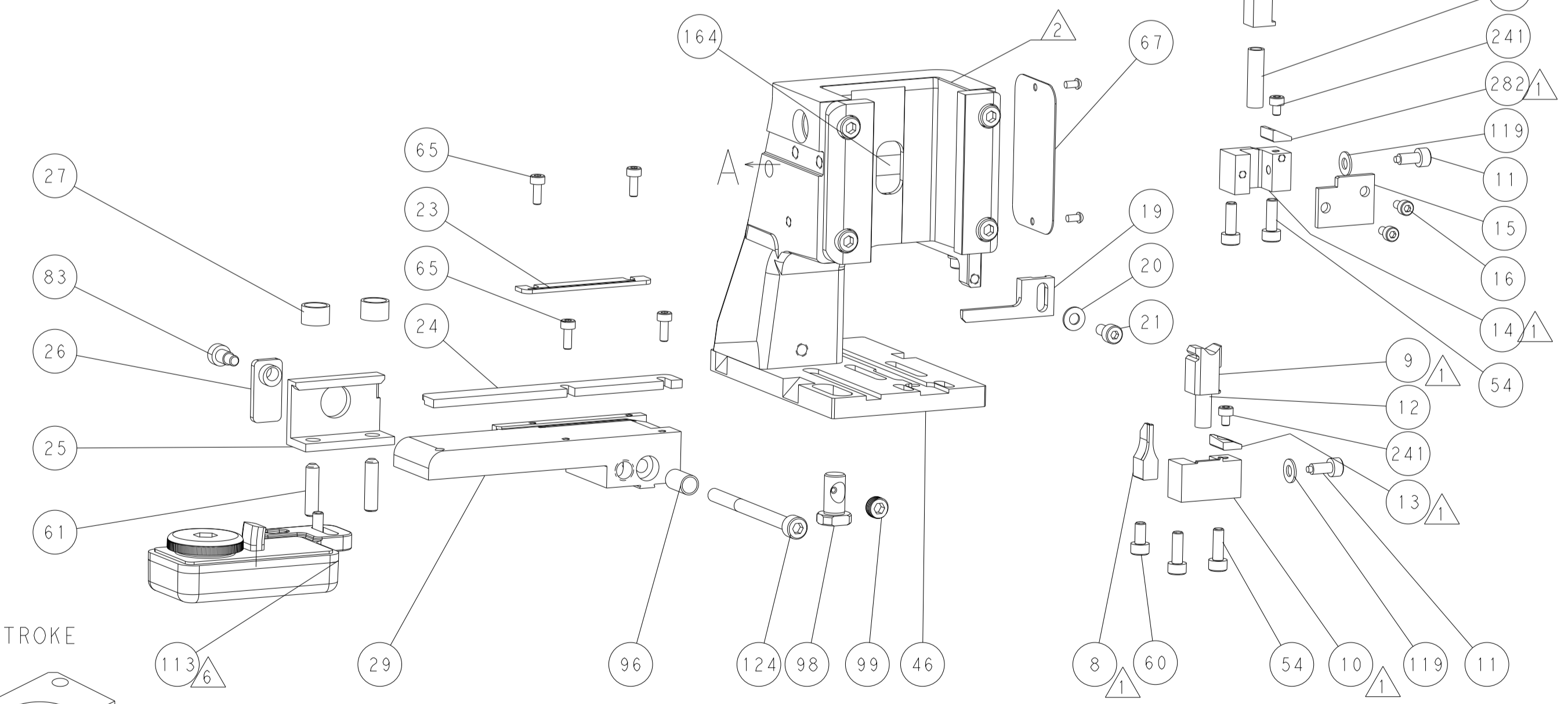
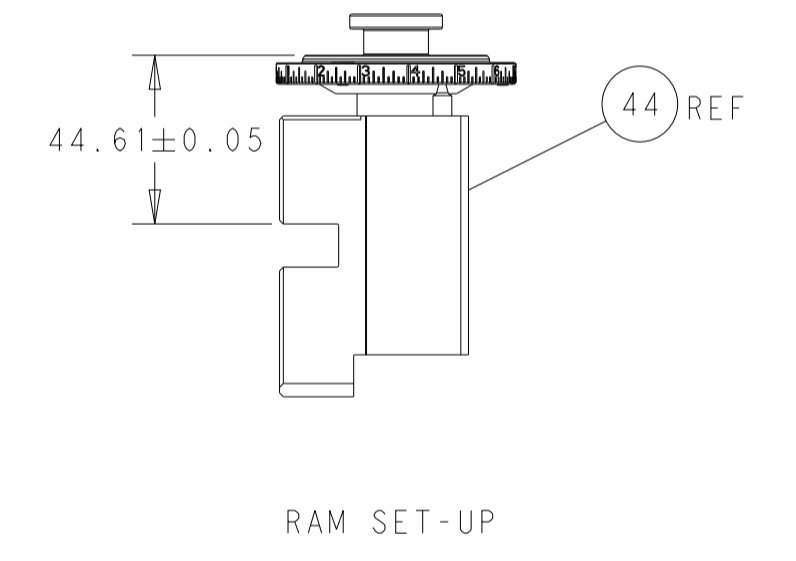
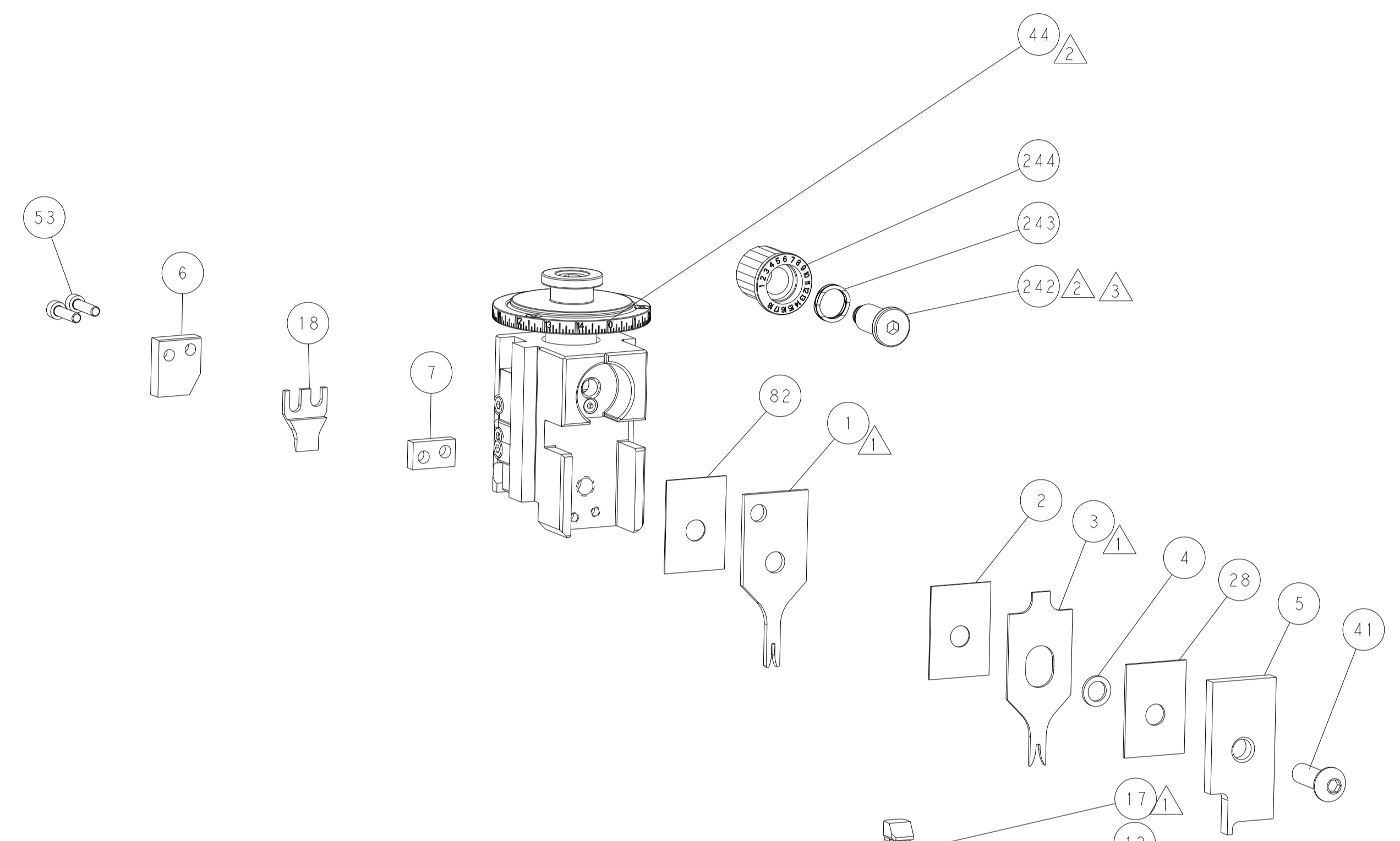
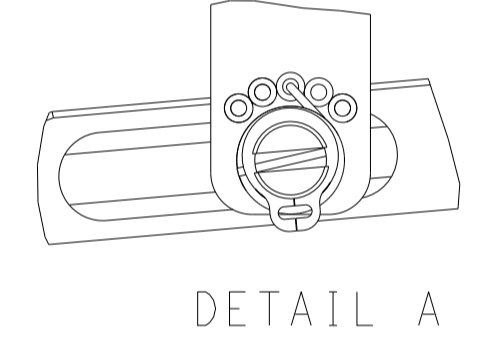
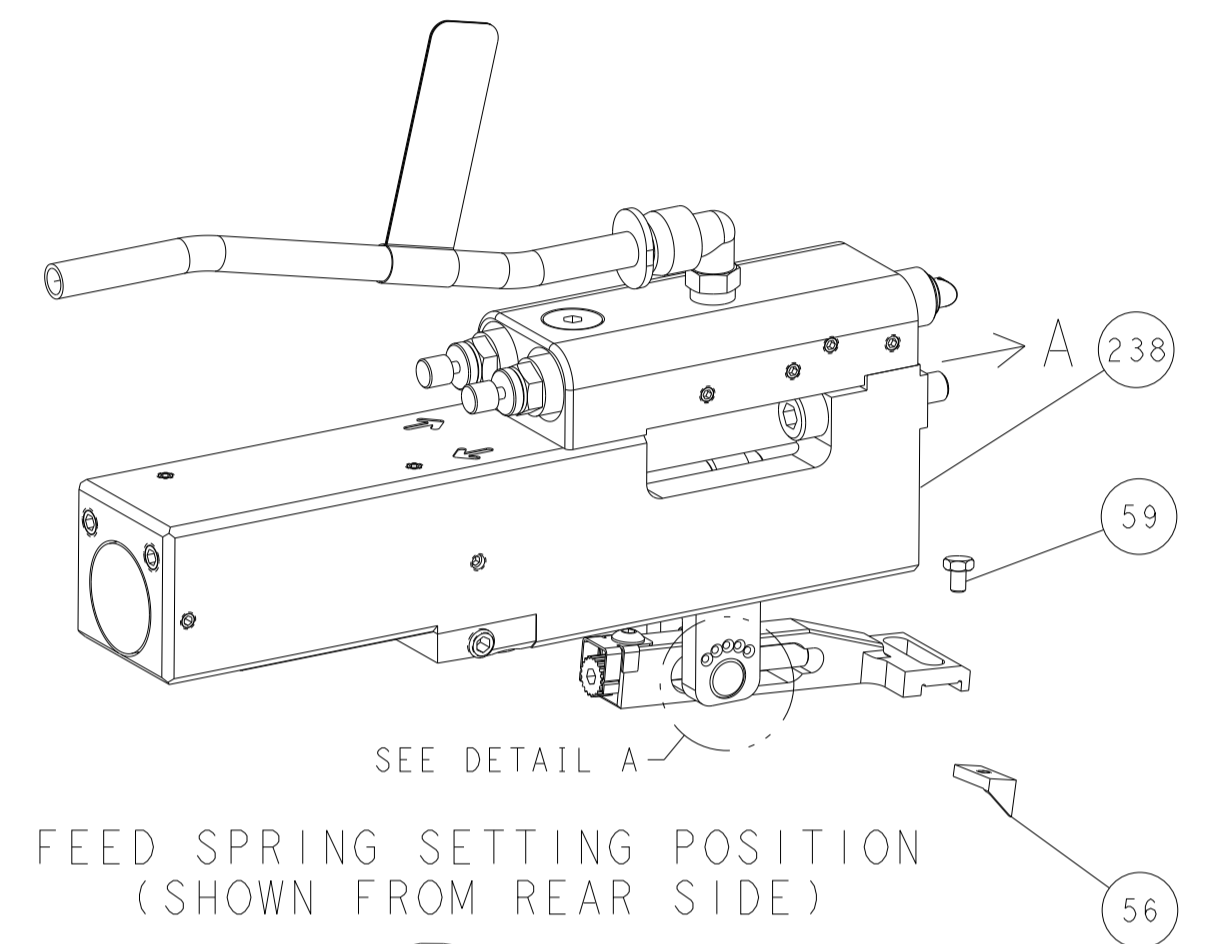
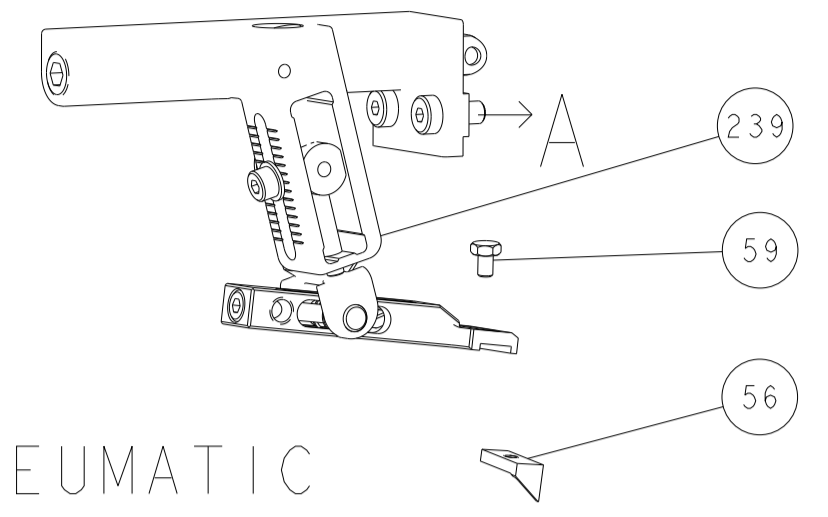
LOC	DIST	REVISIONS					
A	66	P	LTN	DESCRIPTION	DATE	OWN	APVD
		E		ECR-18-014300	10SEP2018	FZ	KZ
		F		ECR-18-014693	17SEP2018	KH	GB
		G		ECR-19-009039	14JUN2019	TB	TE
		H		ECR-23-168255	06MAR2023	FZ	JAH

1	-	1	1	1	1	2280441-1	INSERT, SHEAR	282
	-	1	-	1	-	2119641-1	FEED CAM, AIR FEED	248
	-	1	1	1	1	2119082-9	CAM, SNAIL, INSULATION ADJUSTMENT	244
	-	1	1	1	1	2079764-1	WASHER, WAVE SPRING, CREST-TO-CREST	243
3	-	1	1	1	1	2119083-1	RETAINER, INSULATION DIAL	242
	-	2	2	2	2	7-18023-7	SCR, SKT HD CAP M3 X 4.0	241
	-	-	1	-	1	2119580-1	MECHANICAL FEED ASSEMBLY	239
	-	1	-	1	-	2844940-1	AIR FEED MODULE	238
	-	REF	REF	REF	REF	994970-2	COUNTER, MAGNETIC	164
	-	1	1	1	1	2168083-6	SCR, SKT HD CAP, RoHS, M5 X 6.5	124
	-	2	2	2	2	1-18028-2	WASHER, FLAT, REG M4	119
6	-	1	1	1	1	2119955-1	ASSY, LUBRICATOR, SIDE FEED	113
	-	1	1	1	1	2844908-1	SCREW, LOCKING	99
	-	1	1	1	1	2844907-1	POST, LOCKING	98
	-	1	1	1	1	1-22281-8	SPRING, COMPRESSION	96
	-	1	1	1	1	980371-4	SCR, SKT HD SHLDR 5.0 DIA X 6.0	83
	-	1	1	1	1	455888-5	SPACER, CRIMPER	82
	-	1	1	1	1	1803607-3	DOCUMENTATION PACKAGE	71
	-	1	1	1	1	2119740-1	TAG, IDENTIFICATION	67
	-	2	2	2	2	2168078-1	SCREW, DRIVE, RH, RoHS, 2 x .188	66
	-	4	4	4	4	2168083-1	SCR, SKT HD CAP, RoHS, M3 X 8.0	65
	-	2	2	2	2	2-18032-5	SCR, SET, FLT PNT, M5 X 20.0	61
	-	1	1	1	1	2168083-2	SCR, SKT HD CAP, RoHS, M4 X 8.0	60
	-	1	1	1	1	5-18022-5	SCR, HEX HD CAP, M4 X 6.0	59
	-	1	1	1	1	1338683-1	FEED PAWL	56
	-	4	4	4	4	2168083-3	SCR, SKT HD CAP, RoHS, M4 X 12.0	54
	-	2	2	2	2	1-18023-3	SCR, SKT HD CAP M4 X 16.0	53
	-	1	2	1	2	18023-9	SCR, SKT HD CAP M4 X 6.0	49
	-	-	1	-	1	2119652-1	FEED CAM, PRE FEED	48
	-	-	1	-	1	2119653-1	FEED CAM, POST FEED	47
	-	1	1	1	1	1803583-9	APPLICATOR BASIC ASSEMBLY, SF	46
	-	1	1	1	1	1803515-1	RAM ASSEMBLY, SF ATLANTIC	44
	-	1	1	1	1	1803602-1	SCR, BHSC, RoHS (M8 X 25)	41
	-	1	1	1	1	2305692-1	PLATE, REAR STRIP GUIDE	29
	-	1	1	1	1	1-455888-0	SPACER, CRIMPER	28
	-	2	2	2	2	22283-1	SPRING, COMPRESSION	27
	-	1	1	1	1	356835-1	LEVER, DRAG RELEASE	26
	-	1	1	1	1	240792-1	DRAG, TERMINAL	25
	-	1	1	1	1	189124-7	GUIDE, FRONT STRIP	24
	-	1	1	1	1	690438-1	FRONT STRIP GUIDE	23
	-	1	1	1	1	2168083-2	SCR, SKT HD CAP, RoHS, M4 X 8.0	21
	-	1	1	1	1	1-18028-2	WASHER, FLAT, REG M4	20
	-	1	1	1	1	2119533-1	STRIPPER, SIDE FEED	19
	-	1	1	1	1	2-690518-4	HOLD DOWN, TERMINAL	18
1	-	1	1	1	1	690463-1	FLOATING SHEAR, REAR	17
	-	2	2	2	2	1-2168083-1	SCR, SKT HD CAP, RoHS, M3 X 6	16
	-	1	1	1	1	690464-1	SHEAR PLATE, REAR	15
1	-	1	1	1	1	2119862-1	SHEAR HOLDER, REAR	14
1	-	1	1	1	1	2119806-1	INSERT, SHEAR	13
	-	2	2	2	2	3-22280-3	SPRING, COMPRESSION	12
	-	2	2	2	2	1-356885-4	STOP, SHEAR	11
1	-	1	1	1	1	2119805-1	SHEAR HOLDER, FRONT	10
1	-	1	1	1	1	1803095-1	FLOATING SHEAR, FRONT	9
1	1	2	2	1	1	5-1333200-0	ANVIL, COMBINATION	8
	-	1	1	1	1	240641-3	SPACER	7
	-	1	1	1	1	690468-2	DEPRESSOR SHEAR, REAR	6
	-	1	1	1	1	2119757-8	DEPRESSOR, SHEAR	5
	-	1	1	1	1	2-238011-0	BLOCK, CRIMPER SPACER	4
1	1	2	2	1	1	1-2119582-2	CRIMPER, INSULATION F PREMIUM	3
	-	1	1	1	1	455888-5	SPACER, CRIMPER	2
1	1	2	2	1	1	456401-4	CRIMPER, WIRE .042 F PREMIUM	1

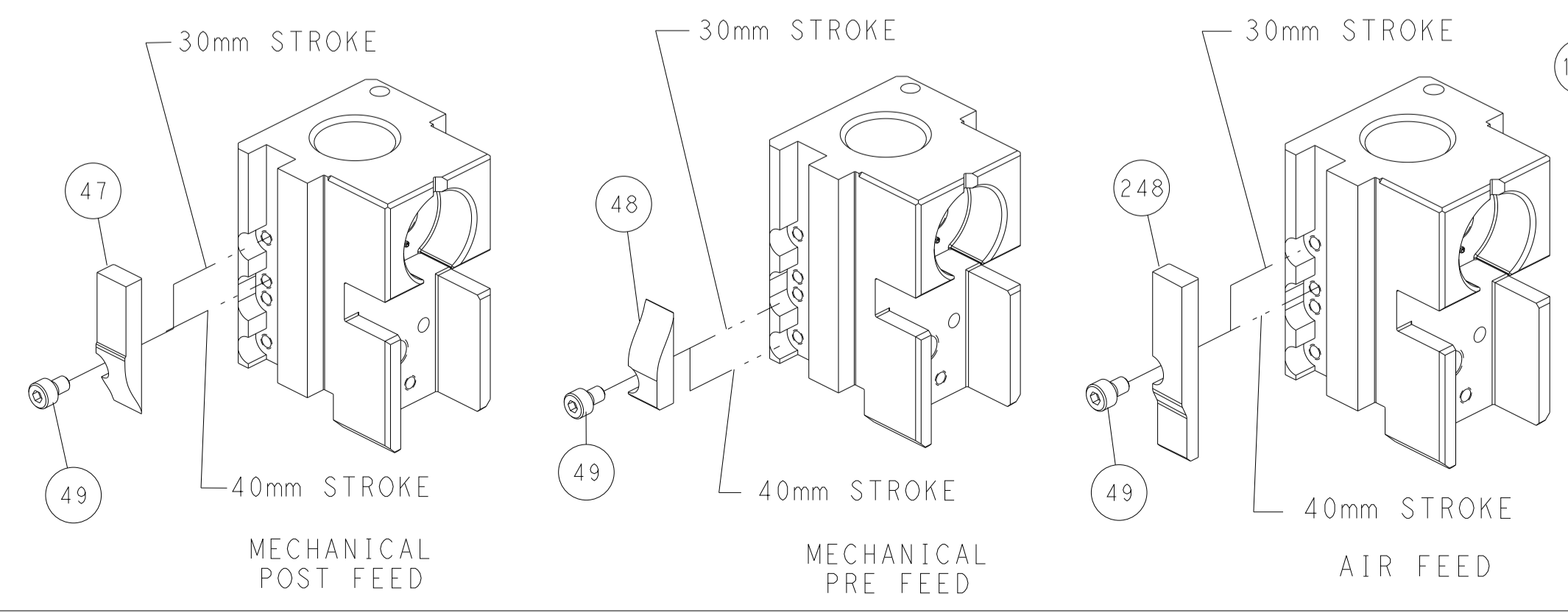
DIMENSIONS:		TOLERANCES UNLESS OTHERWISE SPECIFIED:		MATERIAL:		FINISH:		WEIGHT:		SCALE:		SHEET:		REV:	
mm	0 PLC ±	1 PLC ±	2 PLC ±	3 PLC ±	4 PLC ±	ANGLES	FINISH			A1	00779	2151142	1	4	H

LOC	DIST	REVISIONS					
A	66	P	LTN	DESCRIPTION	DATE	DWN	APVD
		-		SEE SHEET 1	-	-	-

# FEED TYPE MECHANICAL



# CAM POSITIONS



**ATLANTIC VERSION**  
 Shown on sheets 1 of 4 & 2 of 4  
 (Pacific version shown on sheets 3 of 4 & 4 of 4)

DIMENSIONS:		TOLERANCES UNLESS OTHERWISE SPECIFIED:		DWN Y. YIN 19OCT2011		TE Connectivity	
mm	0 PLC ±	1 PLC ±	2 PLC ±	3 PLC ±	4 PLC ±	Harrisburg, PA 17105-3608	
MATERIAL:		FINISH:		CHK G. BAILEY 19OCT2011		NAME	
				S. XI 19OCT2011		Ocean Side Feed Applicator	
				APVD		SIZE CAGE CODE DRAWING NO	
				PRODUCT SPEC		RESTRICTED TO	
				APPLICATION SPEC		A 00779 C=2151142	
				WEIGHT		SCALE 1:2 SHEET 2 OF 4 REV H	
				Customer Accessible Production Drawing		SHEETS 3 & 4 ARE NOT REQUIRED FOR ATLANTIC VERSION	

PART NUMBER	REVISION	DESCRIPTION	FEED TYPE
2-2151142-1	H	FINE CRIMP HEIGHT ADJUST	MECHANICAL
2-2151142-2	H	FINE CRIMP HEIGHT ADJUST	PNEUMATIC
7-2151142-7	A	CRIMP TOOLING KIT	-

PACIFIC VERSION TERMINATOR  
 INTERFACE ADAPTER



APPLICATOR DATA		
CRIMP	SIZE	TYPE
WIRE	1.07 mm [.042]	F
INSUL	1.78 mm [.070]	F
APPLICATOR INSTRUCTIONS 408-35042		

TERMINAL DATA: TE TERMINAL		TE CRIMP SPECIFICATION	
TERMINAL NAME: CRIMP SNAP-IN, MICRO MATE-N-LOCK			
WIRE STRIP LENGTH 2.90-3.53 mm [1.14-.139 IN]		INSULATION DIAMETER RANGE Ø0.89-1.52 mm [.035-.060 IN]	
TERMINAL APPLICATION SPECIFICATION 114-13000	-	-	-
TERMINALS APPLIED			
TERMINAL 794607-1	TERMINAL 794607-2	TERMINAL 794607-3	TERMINAL 1-794607-1

WIRE SIZE	CRIMP HEIGHT mm [INCH]	CRIMP HEIGHT REFERENCE SETTING
26 AWG	0.61 +/- 0.05 [0.024 +/- .002]	9.6
28 AWG	0.56 +/- 0.05 [0.022 +/- .002]	10.1
30 AWG	0.51 +/- 0.05 [0.020 +/- .002]	10.7

- RECOMMENDED SPARE PARTS
- REFER TO SUPPLIED INSTRUCTION SHEET FOR CLEANING, LUBRICATION AND STORAGE OF APPLICATOR.
- APPLY PART NUMBER 2-23419-6 LOCTITE TO THREADS OF ITEM 242.
- CRIMP HEIGHT REFERENCE SETTING WAS THE SETTING USED WHEN THE APPLICATOR WAS QUALIFIED AT THE FACTORY. ADJUSTMENT MAY BE NECESSARY WHEN RUNNING APPLICATOR IN THE FIELD.
- UNLESS SPECIFIED OTHERWISE TORQUE VALUES SHALL BE USED PER DOCUMENT, 101-35000.
- TERMINAL LUBRICANT IS RECOMMENDED.

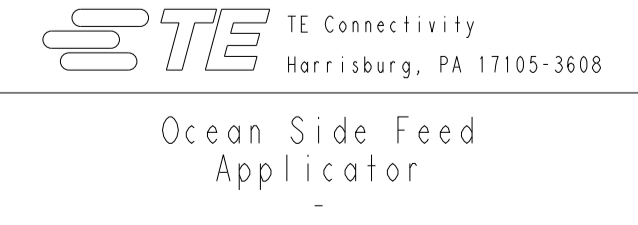
**\*WARNING**  
 ON INSTALLATION, SET WIRE DISC TO CRIMP HEIGHT REFERENCE SETTING FOR LARGEST WIRE SIZE. CRIMP HEIGHT REFERENCE SETTINGS GREATER THAN THE VALUE SHOWN MAY CAUSE DAMAGE TO THE CRIMP TOOLING, REFER TO THE INSTRUCTION SHEET FOR PROPER SETUP AND ADJUSTMENTS.

**PACIFIC VERSION**  
 Shown on sheets 3 of 4 & 4 of 4  
 (Atlantic version shown on sheets 1 of 4 & 2 of 4)

LOC	DIST	REVISIONS					
A	66	P	LTN	DESCRIPTION	DATE	OWN	APVD
-	-	-	-	SEE SHEET 1	-	-	-

1	-	1	1	2280441-1	INSERT, SHEAR		282
	-	1	1	2119082-9	CAM, SNAIL, INSULATION ADJUSTMENT		244
	-	1	1	2079764-1	WASHER, WAVE SPRING, CREST-TO-CREST		243
3	-	1	1	2119083-1	RETAINER, INSULATION DIAL		242
	-	2	2	7-18023-7	SCR, SKT HD CAP M3 X 4.0		241
	-	-	1	2119580-1	MECHANICAL FEED ASSEMBLY		239
	-	1	-	2844940-1	AIR FEED MODULE		238
	-	REF	REF	994970-2	COUNTER, MAGNETIC		164
	-	1	-	2119641-2	FEED CAM, AIR FEED		151
	-	1	1	2168083-8	SCR, SKT HD CAP, RoHS, M4 X 16		144
	-	4	4	2168083-9	SCR, SKT HD CAP, RoHS, M4 X 20		143
	-	-	1	2119653-2	FEED CAM, POST FEED		142
	-	1	1	1-1803583-0	APPLICATOR BASIC ASSEMBLY, SF		141
	-	1	1	1803516-1	RAM ASSEMBLY, SF PACIFIC		140
	-	1	1	2168083-6	SCR, SKT HD CAP, RoHS, M5 X 65		124
	-	2	2	1-18028-2	WASHER, FLAT, REG M4		119
6	-	1	1	2119955-1	ASSY, LUBRICATOR, SIDE FEED		113
	-	1	1	2844908-1	SCREW, LOCKING		99
	-	1	1	2844907-1	POST, LOCKING		98
	-	1	1	1-22281-8	SPRING, COMPRESSION		96
	-	1	1	980371-4	SCR, SKT HD SHLDR 5.0 DIA X 6.0		83
	-	1	1	455888-5	SPACER, CRIMPER		82
	-	1	1	1803607-3	DOCUMENTATION PACKAGE		71
	-	1	1	2119740-1	TAG, IDENTIFICATION		67
	-	2	2	2168078-1	SCREW, DRIVE, RH, RoHS, 2 x .188		66
	-	4	4	2168083-1	SCR, SKT HD CAP, RoHS, M3 X 8.0		65
	-	2	2	2-18032-5	SCR, SET, FLT PNT, M5 X 20.0		61
	-	1	1	5-18022-5	SCR, HEX HD CAP, M4 X 6.0		59
	-	1	1	1338683-1	FEED PAWL		56
	-	2	2	1-18023-3	SCR, SKT HD CAP M4 X 16.0		53
	-	1	2	18023-9	SCR, SKT HD CAP M4 X 6.0		49
	-	-	1	2119652-1	FEED CAM, PRE FEED		48
	-	1	1	1803602-1	SCR, BHSC, RoHS (M8 X 25)		41
	-	1	1	2305692-1	PLATE, REAR STRIP GUIDE		29
	-	1	1	1-455888-0	SPACER, CRIMPER		28
	-	2	2	22283-1	SPRING, COMPRESSION		27
	-	1	1	356835-1	LEVER, DRAG RELEASE		26
	-	1	1	240792-1	DRAG, TERMINAL		25
	-	1	1	189124-7	GUIDE, FRONT STRIP		24
	-	1	1	690438-1	FRONT STRIP GUIDE		23
	-	1	1	2168083-2	SCR, SKT HD CAP, RoHS, M4 X 8.0		21
	-	1	1	1-18028-2	WASHER, FLAT, REG M4		20
	-	1	1	2119533-1	STRIPPER, SIDE FEED		19
	-	1	1	2-690518-4	HOLD DOWN, TERMINAL		18
1	-	1	1	690463-1	FLOATING SHEAR, REAR		17
	-	2	2	1-2168083-1	SCR, SKT HD CAP, RoHS, M3 X 6		16
	-	1	1	690464-1	SHEAR PLATE, REAR		15
1	-	1	1	2119862-1	SHEAR HOLDER, REAR		14
1	-	1	1	2119806-1	INSERT, SHEAR		13
	-	2	2	3-22280-3	SPRING, COMPRESSION		12
	-	2	2	1-356885-4	STOP, SHEAR		11
1	-	1	1	2119805-1	SHEAR HOLDER, FRONT		10
1	-	1	1	1803095-1	FLOATING SHEAR, FRONT		9
1	1	1	1	5-1333200-0	ANVIL, COMBINATION		8
	-	1	1	240641-3	SPACER		7
	-	1	1	690468-2	DEPRESSOR SHEAR, REAR		6
	-	1	1	2119757-8	DEPRESSOR, SHEAR		5
	-	1	1	2-238011-0	BLOCK, CRIMPER SPACER		4
1	1	1	1	1-2119582-2	CRIMPER, INSULATION F PREMIUM		3
	-	1	1	455888-5	SPACER, CRIMPER		2
1	1	1	1	456401-4	CRIMPER, WIRE .042 F PREMIUM		1

DIMENSIONS:		TOLERANCES UNLESS OTHERWISE SPECIFIED:		MATERIAL:		FINISH:		WEIGHT:		SCALE:	
mm	0 PLC ±	1 PLC ±	2 PLC ±	3 PLC ±	4 PLC ±	ANGLES	FINISH			1:2	SHEET 3 OF 4
MATERIAL		FINISH		WEIGHT		SCALE		CUSTOMER ACCESSIBLE PRODUCTION DRAWING		REV H	



Ocean Side Feed  
 Applicator

SIZE: A1 CAGE CODE: 00779 DRAWING NO: 2151142

