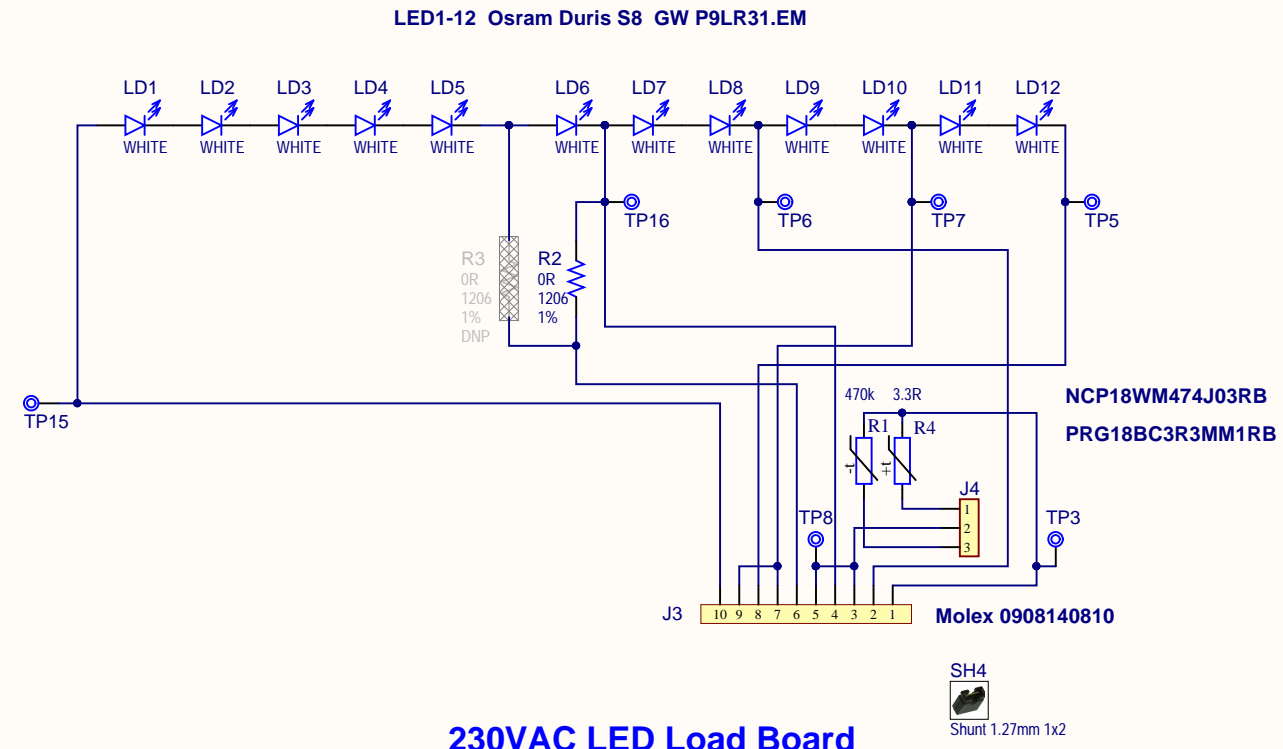
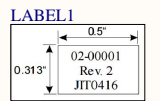


REV	ECO#	DESCRIPTION	DATE



Heatsink



LABEL Assy Very Small



TAPE THERMAL SHEET

Drawn By: Sergiu Gheorghe		
Engineer: Sergiu Gheorghe		
PartNumber: ADM00861	Project Title <b>CL88030 230VAC LED Load Board</b>	
Sheet Title <b>Electrical Diagram</b>		<i>Designed with</i> <b>Altium</b>
Size B	Sch #03-10714	Date: 2/15/2018 11:51:35 AM
Revision:1		Sheet 1 of 1
File: 04-10714.SchDoc		