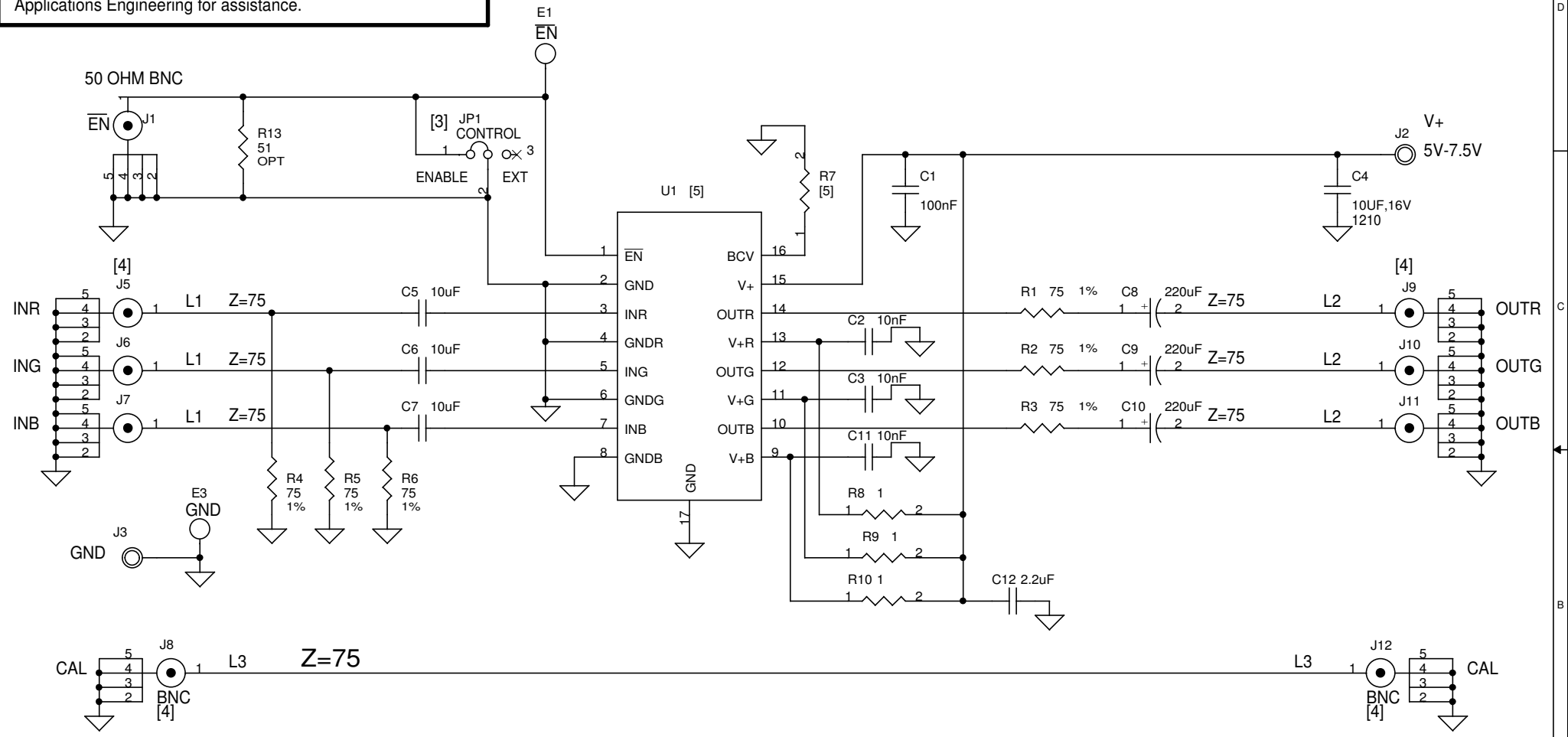


This circuit is proprietary to Linear Technology and supplied for use with Linear Technology parts.
Customer Notice: Linear Technology has made a best effort to design a circuit that meets customer-supplied specifications; however, it remains the customers responsibility to verify proper and reliable operation in the actual application, Component substitution and printed circuit board layout may significantly affect circuit performance or reliability. Contact Linear Applications Engineering for assistance.


REVISION HISTORY				
ECO	REV	DESCRIPTION	DATE	APPROVED
	2	PROTO	01/06/06	



NOTES: UNLESS OTHERWISE SPECIFIED

- 1. SHDN CONNECTOR IS A GENERIC 50 OHMS VERTICAL BNC.
- 2. VERTICAL CONNECTORS ARE CANARE BCJ-BPLH BNC.
- [3] INSTALL SHUNT AT PINS 1 AND 2 ON HEADER JP1.
- [4] L1+L2=L3.
- [5]

VERSION	U1	R7
-A	LT6557CDHC	412 OHMS
-B	LT6558CDHC	205 OHMS

CONTRACT NO.		 LINEAR TECHNOLOGY 1630 McCarthy Blvd. Milpitas, CA 95035 Phone: (408)432-1900 Fax: (408)434-0507	
APPROVALS	DATE		
DRAWN MEI	10/14/05	TITLE SCH, LT6557CDHC/LT6558CDHC, 5V TRIPLE HIGH SPEED VIDEO AMPLIFIER	
CHECKED			
APPROVED			
ENGINEER			
DESIGNER		SIZE A	CAGE CODE
		DWG NO DC1016A	
Friday, January 06, 2006		SCALE: NONE	REV 2
		FILENAME: 1016A-2.DSN	SHEET 1 OF 1