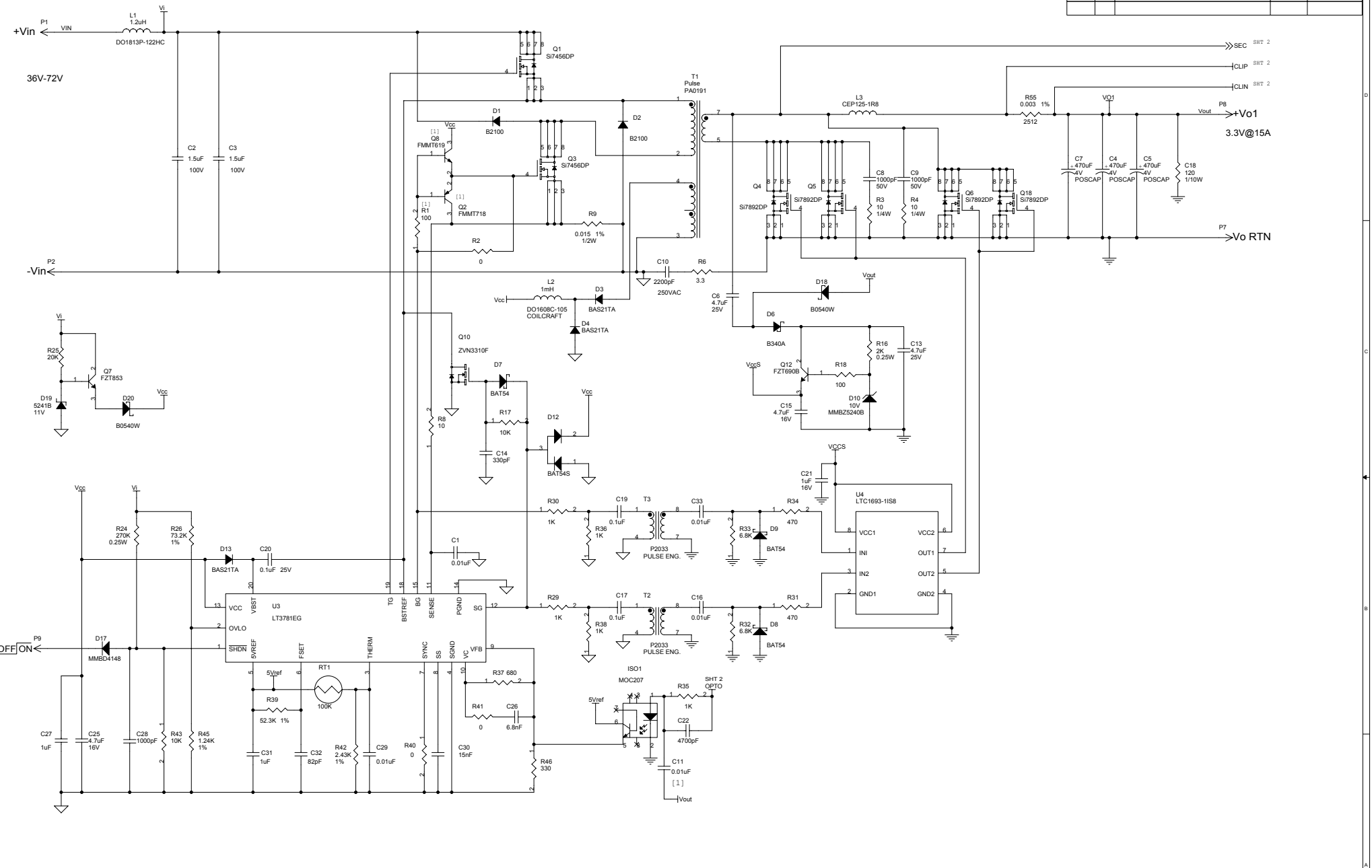


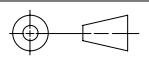
REVISION HISTORY				
ECO	REV	DESCRIPTION	DATE	APPROVED
	3	PROTO	03/28/03	



This circuit is proprietary to Linear Technology and supplied for use with Linear Technology parts.  
 Customer Notice: Linear Technology has made a best effort to design a circuit that meets customer-supplied specifications; however, it remains the customer's responsibility to verify proper and reliable operation in the actual application. Component substitution and printed circuit board layout may significantly affect circuit performance or reliability. Contact Linear Applications Engineering for assistance.

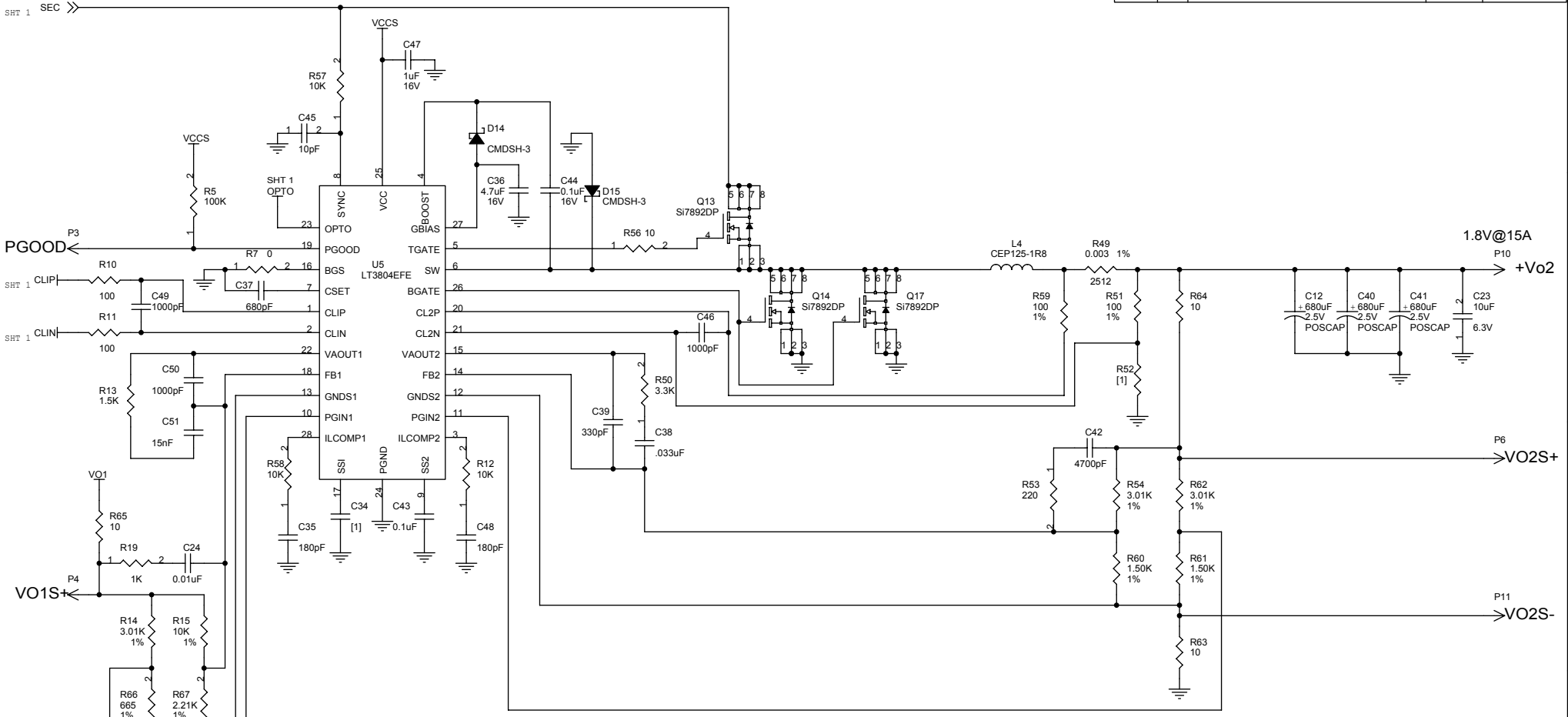
UNLESS OTHERWISE SPECIFIED DIMENSIONS ARE IN INCHES TOLERANCE ON ANGLE --- 2 PLACES --- 3 PLACES --- INTERPRET DIM AND TOL PER ASME Y14.5M-1994		CONTRACT NO.	
APPROVALS	DATE	DRAWN MEI 02/19/03	
CHECKED		TITLED	
APPROVED		SCH, LT3804EFE/LT3781EG/LTC1693-1IS8 DUAL OUTPUT	
ENGINEER		ISOLATED POWER SUPPLY	
DESIGNER		SIZE	CAGE CODE
		C	DC610A
		DWG NO	REV 3
	Wednesday, October 29, 2003	SCALE NONE	FILENAME: 610A-3.DSN SHEET 1 OF 2

**LINEAR TECHNOLOGY**  
 1630 McCarthy Blvd.  
 Milpitas, CA 95035  
 Phone: (408)432-1900  
 Fax: (408)434-0907


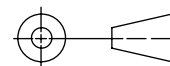


DO NOT SCALE DRAWING

REVISION HISTORY				
ECO	REV	DESCRIPTION	DATE	APPROVED
	3	Proto	03/28/03	



This circuit is proprietary to Linear Technology and supplied for use with Linear Technology parts.  
**Customer Notice:** Linear Technology has made a best effort to design a circuit that meets customer-supplied specifications; however, it remains the customer's responsibility to verify proper and reliable operation in the actual application. Component substitution and printed circuit board layout may significantly affect circuit performance or reliability. Contact Linear Applications Engineering for assistance.

UNLESS OTHERWISE SPECIFIED DIMENSIONS ARE IN INCHES TOLERANCE ON ANGLE --- 2 PLACES --- 3 PLACES --- INTERPRET DIM AND TOL PER ASME Y14.5M -1994		CONTRACT NO.		 1630 McCarthy Blvd. Milpitas, CA 95035 Phone: (408)432-1900 Fax: (408)434-0507			
THIRD ANGLE PROJECTION		APPROVALS	DATE				
		DRAWN MEI	02/19/03				
		CHECKED					
DO NOT SCALE DRAWING		APPROVED		TITLE SCH, LT3804EFE/LT3781EG/LTC1693- 11S8 DUAL OUTPUT ISOLATED POWER SUPPLY			
		ENGINEER					
		DESIGNER		SIZE B	CAGE CODE	DWG NO DC610A	REV 3
		Wednesday, October 29, 2003		SCALE NONE	FILENAME: 610A-3.DSN	SHEET 2	OF 2