

LAN7500 Customer Evaluation Board

Assy 6635
PCB Revision A
Schematic Revision 1.0

Design Details

Board:
Assy 6635

Chip:
SMSC LAN7500
56 Lead QFN w/ Exposed GND Pad

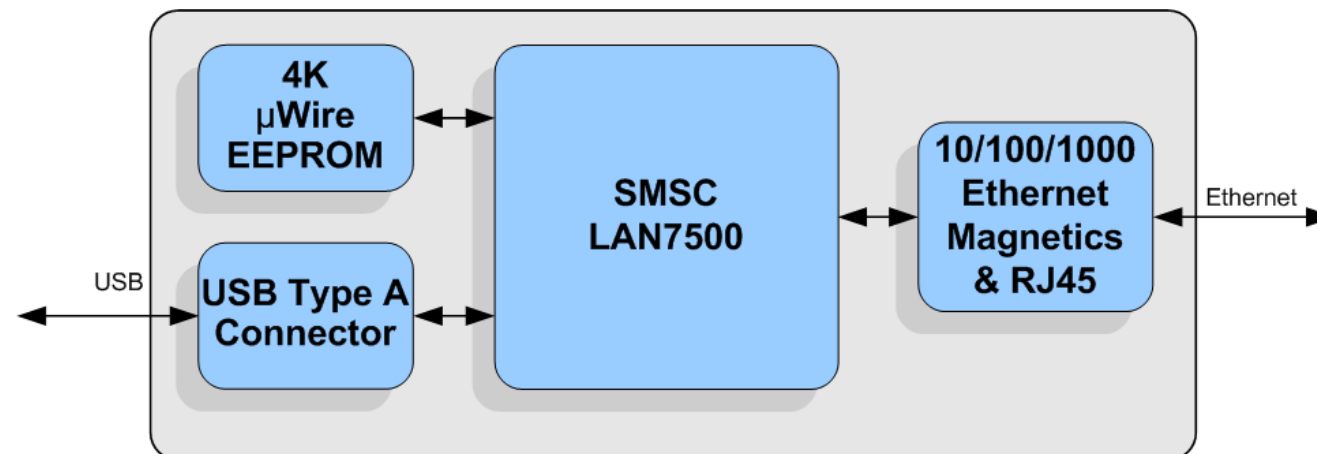
Board Form Factor:
USB / Ethernet Dongle
1.00" x 2.50"

Circuit Diagrams utilizing SMSC Products Are Included As A Means Of Illustrating Typical Semiconductor Applications: Consequently Complete Information Sufficient For Construction Purposes Is Not Necessarily Given. The Information Has Been Carefully Checked And Is Believed To Be Entirely Reliable. However, No Responsibility Is Assumed For Inaccuracies. Furthermore, Such Information Does Not Convey To The Purchaser Of The Semiconductor Devices Described Any License Under The Patent Rights Of SMSC Or Others. SMSC Reserves The Right To Make Changes At Any Time In Order To Improve Design And Supply The Best Product Possible.

Revision History

Rev 1.0:
Initial release, Rev A

BLOCK DIAGRAM

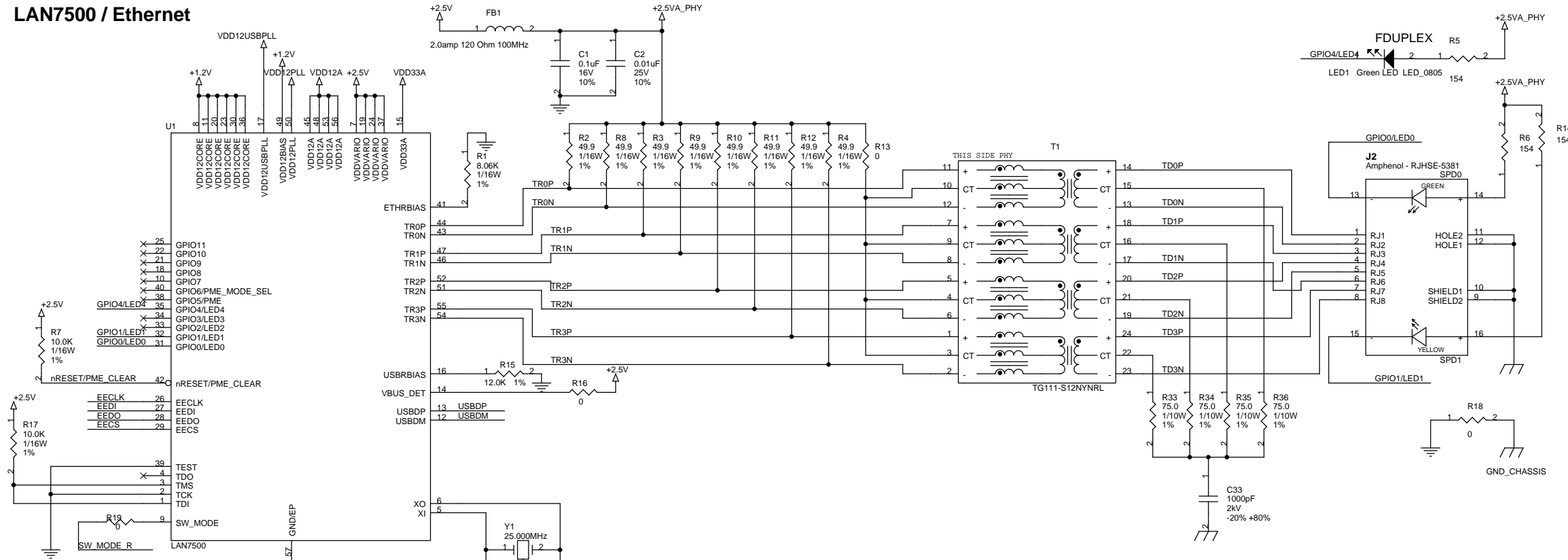


ITEM	Page(s)
Title Page	1
LAN7500, Ethernet, USB, Magnetics	2



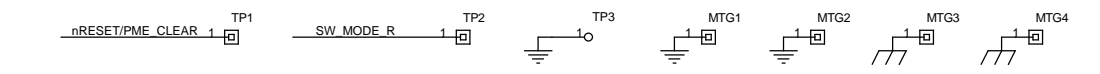
Title LAN7500 USB-to-10/100/1000 Ethernet Customer EVB				
Size	Engineer	Assembly No.	PCB Rev	Schematic Rev
C	R. W.	6635	A	1.0
Date:	Wednesday, November 03, 2010			Sheet 1 of 2

LAN7500 / Ethernet

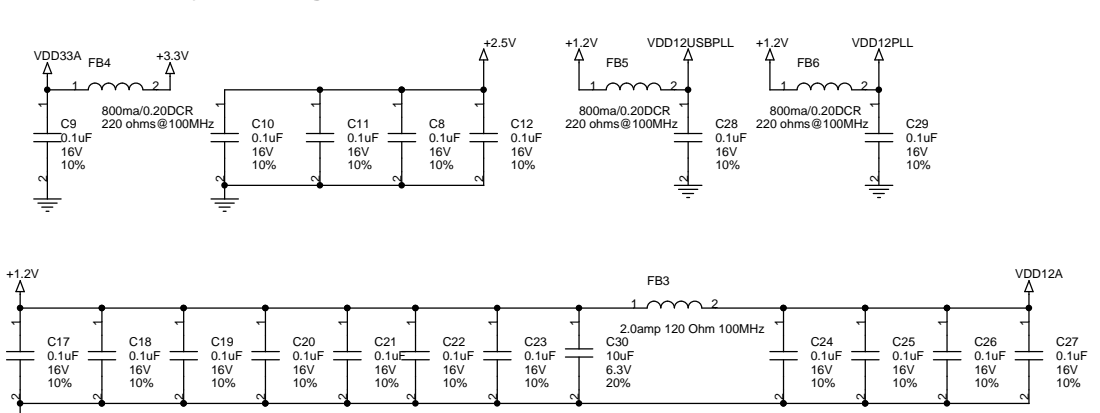


SPEED	LED0	LED1
No Link	OFF	OFF
10	ON	OFF
100	OFF	ON
1000	ON	ON

Test Points

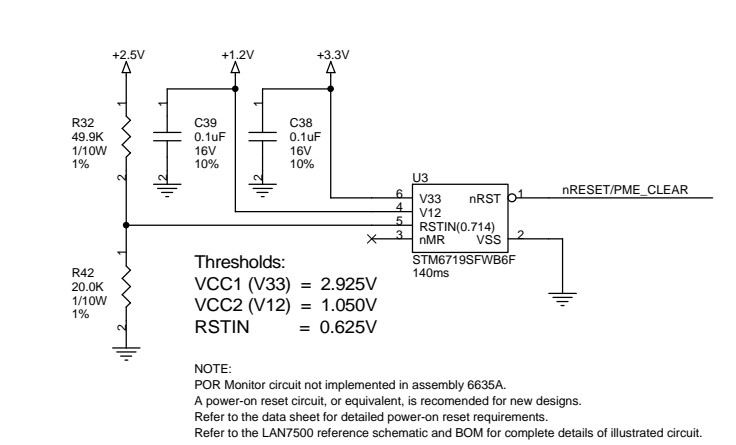


Power Supply Filtering

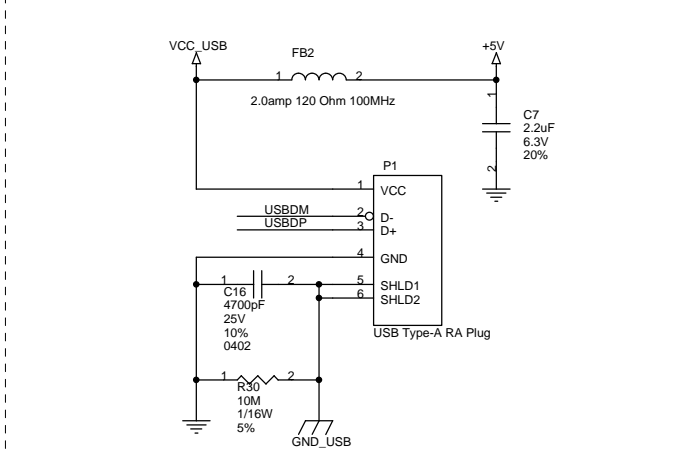


POR Monitor

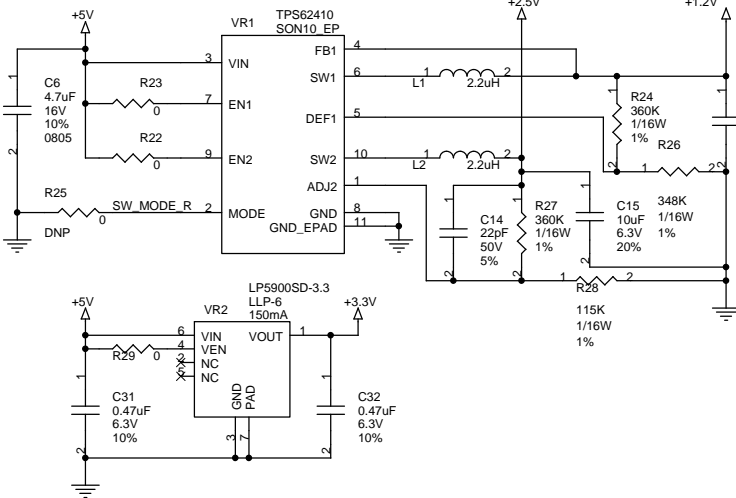
Graphic illustration only. POR Monitor not present on 6635A



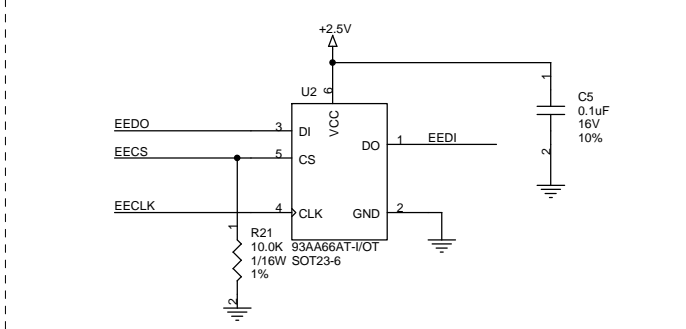
USB Connector



Power



uWire EEPROM



Title: LAN7500, Ethernet, USB, Magnetics, Power				
Size: C	Engineer: R.W.	Assembly No.: 6635	PCB Rev: A	Schematic Rev: 1.0
Date: Wednesday, November 03, 2010	Sheet 2 of 2			