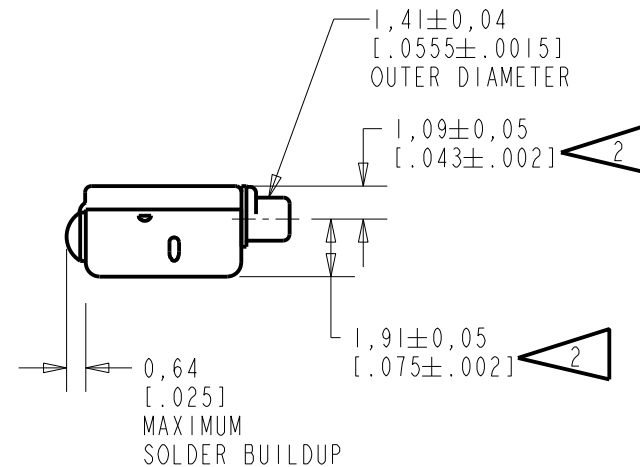
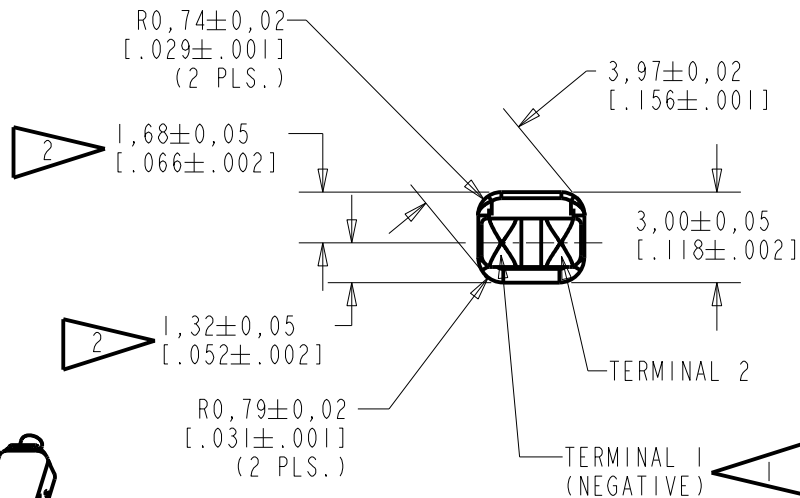
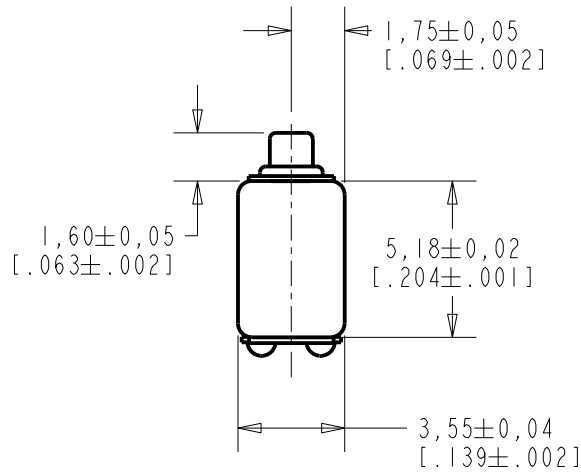


FC-26314-000

SHT 1.1

NOTES:

- 1 A POSITIVE GOING VOLTAGE AT TERMINAL 2, RELATIVE TO TERMINAL 1, CAUSES A DECREASE IN PRESSURE AT THE SOUND OUTLET.
- 2 LOCATED FROM TWO SURFACES FOR CUSTOMER CONVENIENCE. ONLY APPLICABLE FROM ONE SURFACE, NOT TO BE USED TOGETHER.



SCALE 2:1

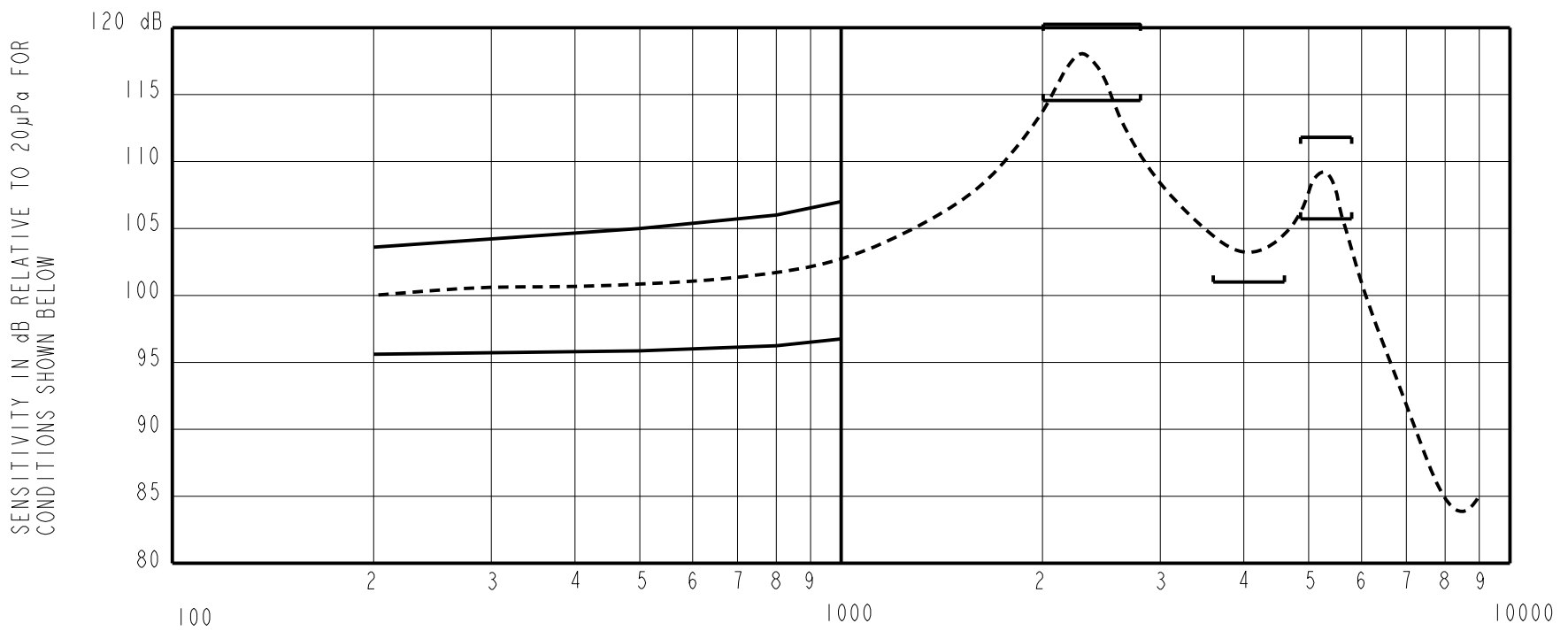
NOMINAL WEIGHT  
.23 GRAMS

DIMENSIONS IN MILLIMETERS [INCHES]

Revision	C.O. #	Implementation Date	RELEASE LEVEL	REVISION
B	C10112708	9-2-11	Active	B
A	C10103264	11-3-05		

SCALE: 4:1		DR. BY	DATE
DO NOT SCALE DRAWING		CRG	11-3-05
TITLE: RECEIVER		FC-26314-000	GJP 11-8-05
OUTLINE DRAWING		SHT 1.1	APP. BY DATE
		GJP	11-8-05

**KNOWLES ELECTRONICS**  
ITASCA, ILLINOIS U.S.A.



NOTES:

1. MEASUREMENTS MADE USING 10mm (.394") X 1mm (.039") ID TUBE CONNECTED TO A 2 cm<sup>3</sup> , SIMULATED ANSI S3.7 TYPE HA-3 COUPLER (IEC 60318-5).

2.

SENSITIVITY

FREQUENCY	MIN.	MAX.
200	96.0	102.0
500	96.5	102.5
800	97.0	103.0
1000	98.0	104.0
2150-2850	114.5	120.5
3700-4500	99.0	---
4850-5850	105.5	111.5

3. RESPONSE, IMPEDANCE, AND DISTORTION MEASUREMENTS MADE USING THE ELECTRICAL TEST CONDITIONS SHOWN BELOW.
4. ELECTRICAL SOURCE IMPEDANCE MUST BE GREATER THAN 20 TIMES 1KHz IMPEDANCE FOR TEST CONDITIONS SHOWN BELOW.
5. INDIVIDUAL SPECIFICATIONS.

PORT LOCATION	IMPEDANCE OHMS ±15%		DCR @20°C OHMS ±10%	DISTORTION		ELECTRICAL TEST CONDITIONS	
	1KHz	500Hz		MAX. %	FREQ Hz	AC mA RMS	DC mA
12C	188	150	120	10	800	1.63	0.00

Revision	C.O. #	Implementation Date	RELEASE LEVEL	REVISION
B	C10112708	9-2-11	Active	B
A	C10103264	11-3-05		

**KNOWLES ELECTRONICS**  
ITASCA, ILLINOIS U.S.A.

WHEN TEST LIMITS ARE USED TO ESTABLISH INCOMING INSPECTION ACCEPTANCE/REJECTION CRITERIA, CORRELATION OF TEST EQUIPMENT WITH KNOWLES IS ALSO REQUIRED FOR ELIMINATION OF EQUIPMENT AND TEST METHOD VARIATION

TITLE: **RECEIVER**  
PERFORMANCE SPECIFICATION

**FC-26314-000**  
SHT 2.1

DR. BY	DATE
CRG	11-3-05
CK. BY	DATE
GJP	11-8-05
APP. BY	DATE
GJP	11-8-05