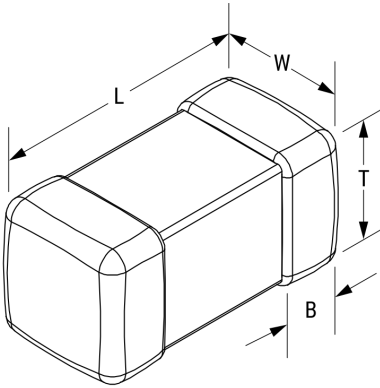


L0805R101MPWRT

Aliases (L0805R101MPWRT)

Not for New Design • Scheduled EOL – Last date to buy 30 JUN 2023

KEMET, L-PWR, Power, 100 uH, 20%



Click [here](#) for the 3D model.

Dimensions

Chip Size	0805
L	2mm +/-0.2mm
W	1.25mm +/-0.2mm
T	1.25mm +/-0.2mm
LL	0.5mm +/-0.2mm
B	0.5mm +/-0.2mm

Packaging Specifications

Packaging	T&R
Packaging Quantity	3000

General Information

Series	L-PWR
Style	SMD Chip
Description	Surface Mount Inductor
Features	Low Rdc Type
RoHS	Yes
Notes	Last Order Date June 30, 2023. Suggested Replacement - https://www.chilisin.com/en-global/Inductor/Product/BWLD_241715/BWLD00241715101M00 .

Specifications

Inductance	100 uH (0.796 MHz)
Inductance Tolerance	20%
Temperature Range	-40/+105°C
Current	50 mAmps (MAX)
DC Resistance	4 Ohms
Self-Resonant Frequency	8 MHz