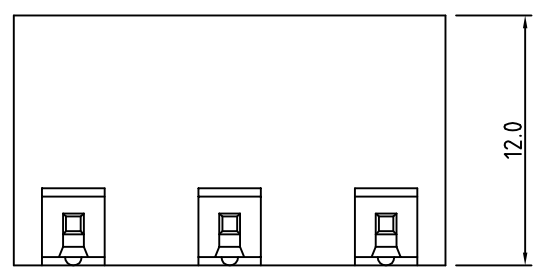
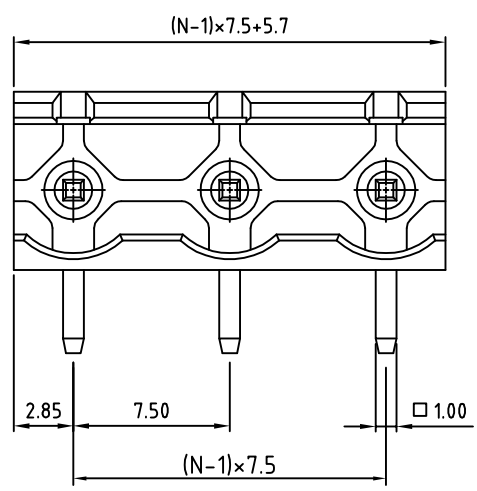
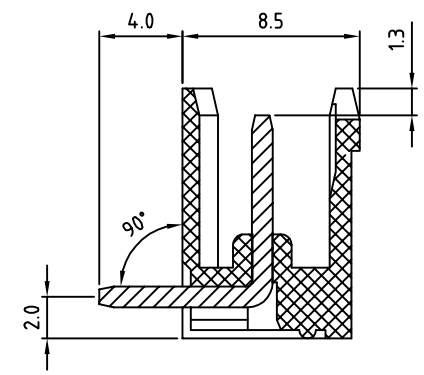
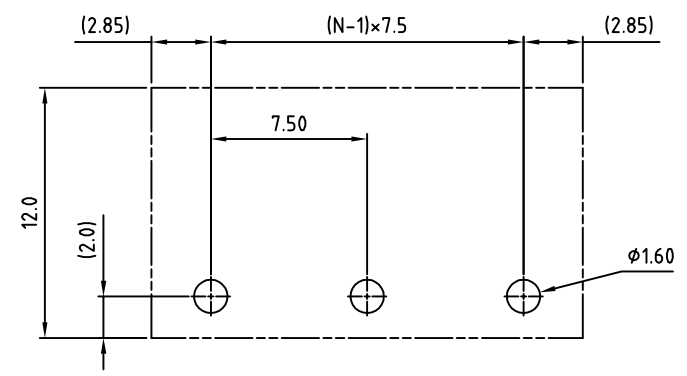


| | | | |
|------|------|---|----------|
| SIGN | DATE | DESCRIPTION | APPROVER |
| | | <i>THIS IS CAD DRAWING, DO NOT REVISE MANUALLY!!!</i> | |



N=Number of poles

P.C.B LAYOUT



Material

- Terminal body
(contact pin): Brass(CuZn) Tin plated
- Insulator (housing): Thermoplastic (UL94V-0)

Electrical cULus

- Voltage rating: 300VAC
- Current rating: 20A
- Withstanding Voltage: 1.6KV
- Operating temperature: -30°C to +105°C
- Soldering temperature: 250°C±10°C/5 Sec
- Safety Approval: us

RoHS Compliant

PART NUMBER:

OSTOQXXA051

- No. of Poles
- 02: 2 Poles
 - :
 - 16: 16 Poles

COLOR

- 0: Black
- 5: Green (Standard)
- 6: Blue
- 8: Grey

THESE DRAWINGS AND SPECIFICATIONS ARE THE PROPERTY OF ON-SHORE TECHNOLOGY, INC. AND SHALL NOT BE REPRODUCED, COPIED OR USED IN ANY MANNER WITHOUT THE PRIOR WRITTEN CONSENT OF ON-SHORE TECHNOLOGY, INC.



| | | | | | |
|-----------------------|----------------------|--|----------------------|----------|---|
| TITLE | | OSTOQ 7.5mm series open right-angle 2p-16p | | | |
| PART NO. | OSTOQXXA051 | DWG NO. | OSTOQXXA051.DWG | | |
| APPROVED | CHECKED | DESIGNED | DRAWN | CUST NO. | Tolerance |
| Shi Jun 2006.10.31 | Marvin 2006.10.31 | Marvin 2006.10.31 | Marvin 2006.10.31 | | X. ±0.50 X.X ±0.30 X.XX ±0.10 X° ±1° |
| SHEET: 01/01 | | | | REV.: C | UNIT: mm SCALE: NONE |