



## 10.4" – 21.5" Fanless Panel PC with Intel® Dual Core™ i3-7100U/i5-7300U/i7-7600U Processor

- High-Resolution Capacitive Touch Screen
- Multiple Memory and Storage Options Available
- Windows® 10 IoT 2019 Operating System
- Optional Wi-Fi Upgrade
- Panel or VESA mount
- Integrate with Indusoft Web Studio®

System	CPU	Intel® 7 <sup>th</sup> Generation Dual Core™ : i3-7100U @ 2.4GHz i5-7300U @ 2.6GHz i7-7600U @ 2.8GHz			
	System Memory Options	2 x DDR4 260-pin SO-DIMM Non-ECC RAM (4, 8, 16, 32 GB)			
I/O Ports	USB	2 x USB 2.0 type A 4 x USB 3.0 type A			
	Serial	1 x RS-232/422/485 DE-9P, COM1 (default RS-232) 3 x RS-232 DE-9P, COM2/COM3/COM4			
	Audio	1 x 3.5 mm Line-out 1 x 3.5 mm Mic-in			
	LAN	2 x GbE RJ-45			
	Power	DC power input jack, thumbscrew secured.			
	Power Switch	1 x Momentary Pushbutton with Integrated LED			
	External Display Connector	1 x DisplayPort 1.2 1 x HDMI® 1.4a			
Storage	Solid State Drive Options*	1 x 2.5" SATA 2, MLC (64, 128, 256, 512 GB SSD)			
	SD Card Slot	N/A			
Expansion	Expansion Slot	Optional Wi-Fi kit (Wi-Fi card and antenna)			
Touch Screen	Type	Projected Capacitive Touch			
	Interface	USB			
Display	Display Type	10.4" TFT XGA LCD	12.1" TFT XGA LCD	15" TFT XGA LCD	15.6" Widescreen TFT XGA LCD
	Max. Resolution	1024 X 768	1024 X 768	1024 x 768	1920 x 1080
	Max. Color	16.2 M	16.2 M	16.2 M	16.2 M
	Luminance (cd/m <sup>2</sup> )	350	450	300	450
	View Angle (H°/V°)	170/170	170/170	170/160	170/170
	Contrast Ratio	1000:1	700:1	2000:1	500:1
	Backlight Lifetime (Hours)	50,000+	50,000+	50,000+	50,000+
Electrical	Input Voltage	9~24 VDC	9~24 VDC	9~24 VDC	9~24 VDC
	Input Current	1.66~4.44 A	1.71~4.56 A	1.79~4.78 A	1.63~4.33 A
	Input Power	40W	41 W	43 W	39 W
Mechanical	Dimension (W x H x D)	11.57 x 8.90 x 3.62" [294 x 226 x 92 mm]	12.48 x 9.65 x 3.62" [317 x 245 x 92 mm]	13.97 x 11.40 x 3.62" [354.9 x 289.5 x 92 mm]	15.75 x 9.84 x 3.36" [400 x 250 x 85.4 mm]
	Net Weight	8.38 lbs [3.8 kg]	9.04 lbs [4.1 kg]	11.46 lbs [5.2 kg]	11.46 lbs [5.2 kg]
	Panel Cutout Dimensions (W x H)	10.63 x 7.95" [270 x 202 mm]	11.54 x 8.70" [293 x 221 mm]	13.03 x 10.47" [331 x 266 mm]	14.57 x 8.90" [370 x 226 mm]
	Mounting	Panel mounting, VESA 100 x 100			
	Construction	Black Steel Chassis, Aluminum Heatsink			
	Rating	IP65 compliant front panel, NEMA 4 when panel mounted			
Environmental	Operating Temperature	32~140°F [0~60°C]			
	Storage Temperature	-22~175°F [-30~80°C]			
	Storage Humidity	10 to 90% @ 40°C, non-condensing			
Operating System	Microsoft Windows Options	Microsoft Windows® 10 IoT Enterprise Embedded 2019 LTSC 64-bit (EPKEA) Microsoft Windows® 10 IoT Enterprise 2019 LTSC 64-bit (PKEA)			
Notes	* Additional SSD options available; contact Maple Systems for details Specifications subject to change without notice.				

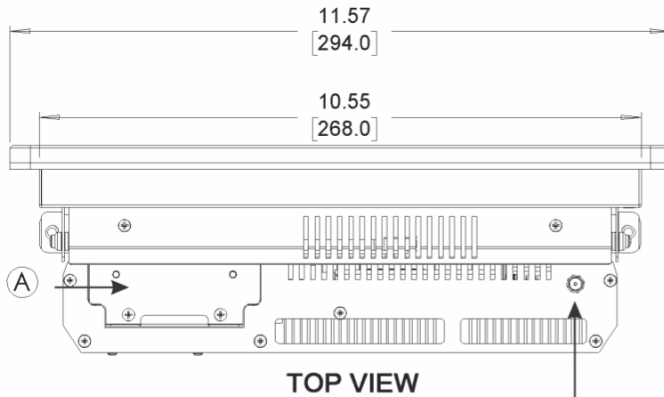


## 10.4" – 21.5" Fanless Panel PC with Intel® Dual Core™ i3-7100U/i5-7300U/i7-7600U Processor

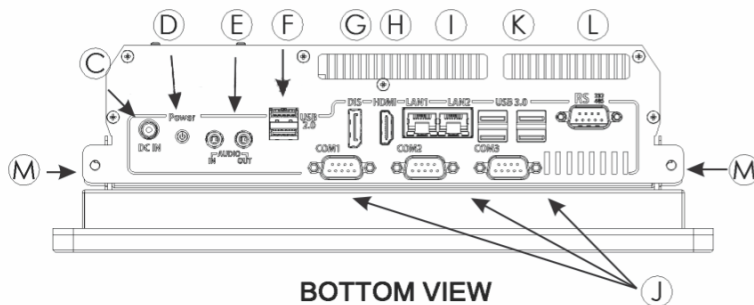
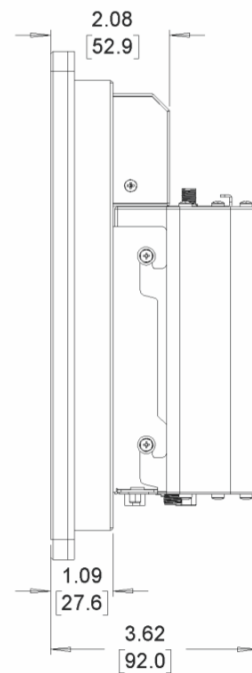
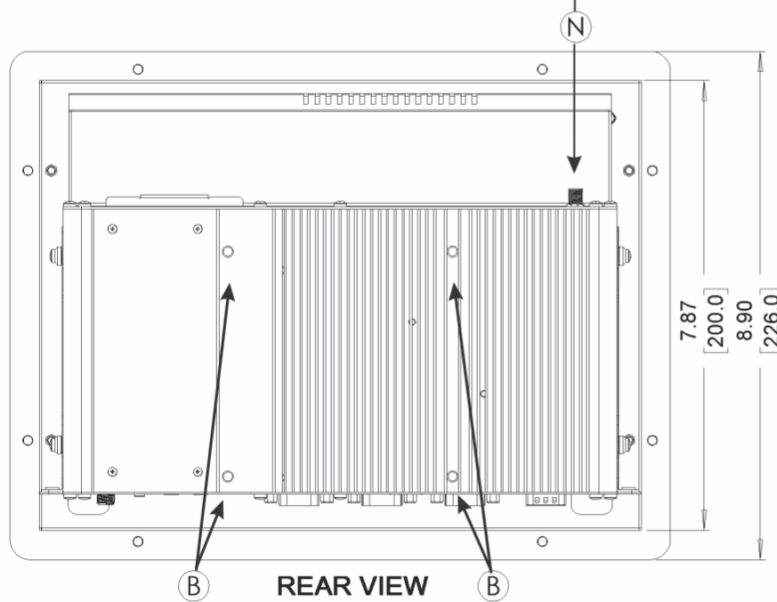
- High-Resolution Capacitive Touch Screen
- Multiple Memory and Storage Options Available
- Windows® 10 IoT 2019 Operating System
- Optional Wi-Fi Upgrade
- Panel or VESA mount
- Integrate with Indusoft Web Studio®

System	CPU	Intel® 7 <sup>th</sup> Generation Dual Core™ : i3-7100U @ 2.4GHz i5-7300U @ 2.6GHz i7-7600U @ 2.8GHz		
	System Memory Options	2 x DDR4 260-pin SO-DIMM Non-ECC RAM (4, 8, 16, 32 GB)		
I/O Ports	USB	2 x USB 2.0 type A 4 x USB 3.0 type A		
	Serial	1 x RS-232/422/485 DE-9P, COM1 (default RS-232) 3 x RS-232 DE-9P, COM2/COM3/COM4		
	Audio	1 x 3.5 mm Line-out 1 x 3.5 mm Mic-in		
	LAN	2 x GbE RJ-45		
	Power	DC power input jack, thumbscrew secured.		
	Power Switch	1 x Momentary Pushbutton with Integrated LED		
	External Display Connector	1 x DisplayPort 1.2 1 x HDMI® 1.4a		
Storage	Solid State Drive Options*	1 x 2.5" SATA 2, MLC (64, 128, 256, 512 GB SSD)		
	SD Card Slot	N/A		
Expansion	Expansion Slot	Optional Wi-Fi kit (Wi-Fi card and antenna)		
Touch Screen	Type	Projected Capacitive Touch		
	Interface	USB		
Display	Display Type	17" TFT XVGA LCD	19" TFT XVGA LCD	21.5" Widescreen TFT XVGA LCD
	Max. Resolution	1280 x 1024	1280 x 1024	1920 x 1080
	Max. Color	16.2 M	16.2 M	16.2 M
	Luminance (cd/m <sup>2</sup> )	250	350	250
	View Angle (H°/V°)	160/160	170/160	170/160
	Contrast Ratio	1000:1	1000:1	3000:1
	Backlight Lifetime (Hours)	50,000+	30,000+	50,000+
Electrical	Input Voltage	9~24 VDC	9~24 VDC	9~24 VDC
	Input Current	1.92~5.11 A	1.98~5.28 A	2.13~5.67 A
	Input Power	46 W	47.5 W	51 W
Mechanical	Dimension (W x H x D)	15.23 x 13.09 x 3.62" [386.9 x 332.5 x 92 mm]	17.44 x 14.49 x 3.44" [443 x 368 x 87.4 mm]	20.63 x 13.00 x 3.62" [524 x 330.2 x 92 mm]
	Net Weight	13.67 lbs [6.2 kg]	18.52 lbs [8.4 kg]	18.74 lbs [8.5 kg]
	Panel Cutout Dimensions (W x H)	14.29 x 12.17" [363 x 309 mm]	16.69 x 13.82" [424 x 351 mm]	19.69 x 12.09" [500 x 307 mm]
	Mounting	Panel mounting, VESA 100 x 100		
	Construction	Black Steel Chassis, Aluminum Heatsink		
	Rating	IP65 compliant front panel, NEMA 4 when panel mounted		
	Environmental	Operating Temperature	32~140°F [0~60°C]	
Storage Temperature		-22~175°F [-30~80°C]		
Storage Humidity		10 to 90% @ 40°C, non-condensing		
Certifications		CE / FCC Class B / RoHS		
Operating System	Microsoft Windows Options	Microsoft Windows® 10 IoT Enterprise Embedded 2019 LTSC 64-bit (EPKEA) Microsoft Windows® 10 IoT Enterprise 2019 LTSC 64-bit (PKEA)		
Notes	* Additional SSD options available; contact Maple Systems for details Specifications subject to change without notice.			

## PC1310

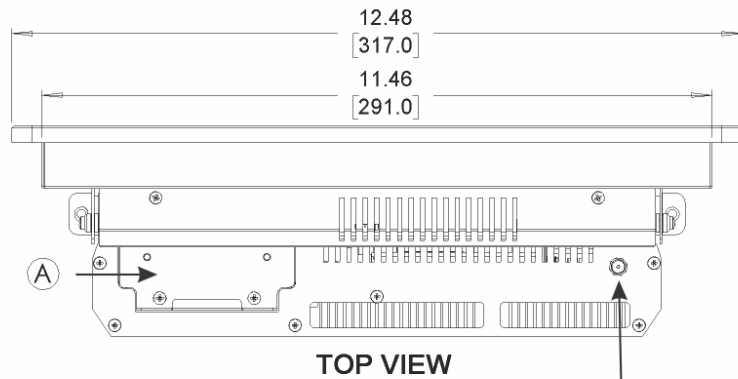


DIMENSIONS ARE IN INCHES [MM]

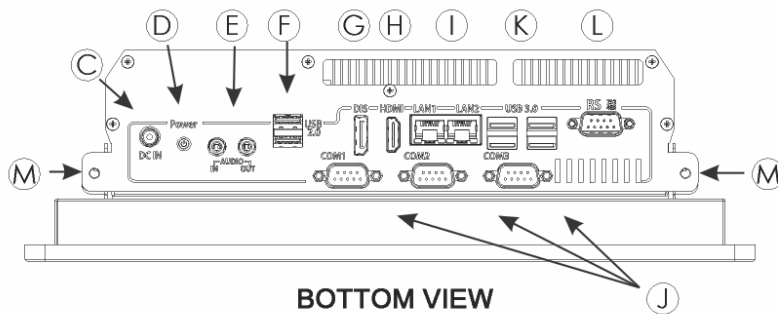
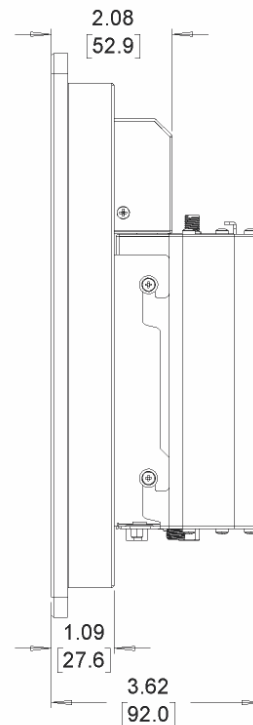
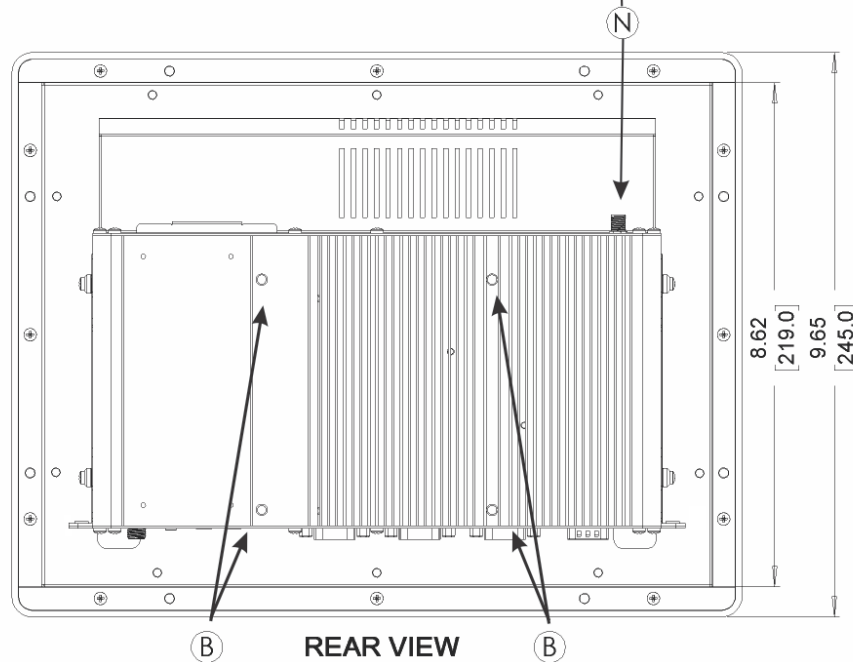


- |  |   |
|--|---|
| <b>A</b> Solid State Drive Bay                 | <b>H</b> HDMI® Output   |
| <b>B</b> VESA 100 x 100 mounting               | <b>I</b> Gigabit Ethernet Ports   |
| <b>C</b> DC Input Power Connector              | <b>J</b> COM Ports DE9P (RS232)   |
| <b>D</b> Illuminated Power Button              | <b>K</b> USB 3.0 Host Ports   |
| <b>E</b> 3.5mm Audio Ports (Mic-In / Line Out) | <b>L</b> COM Port DE9P (RS232/RS422/RS485 Configurable)                           |
| <b>F</b> USB 2.0 Host Ports                    | <b>M</b> Thumb-Screw Mounting   |
| <b>G</b> DisplayPort Output                    | <b>N</b> Wi-Fi Antenna Connector<br>(Nonfunctional unless Wi-Fi Option Purchased) |

## PC1312

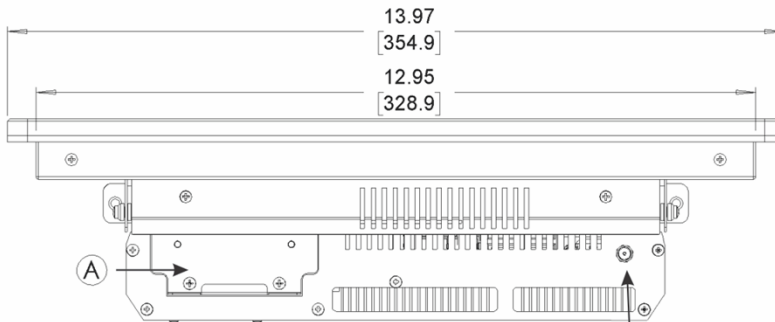


DIMENSIONS ARE IN INCHES [MM]



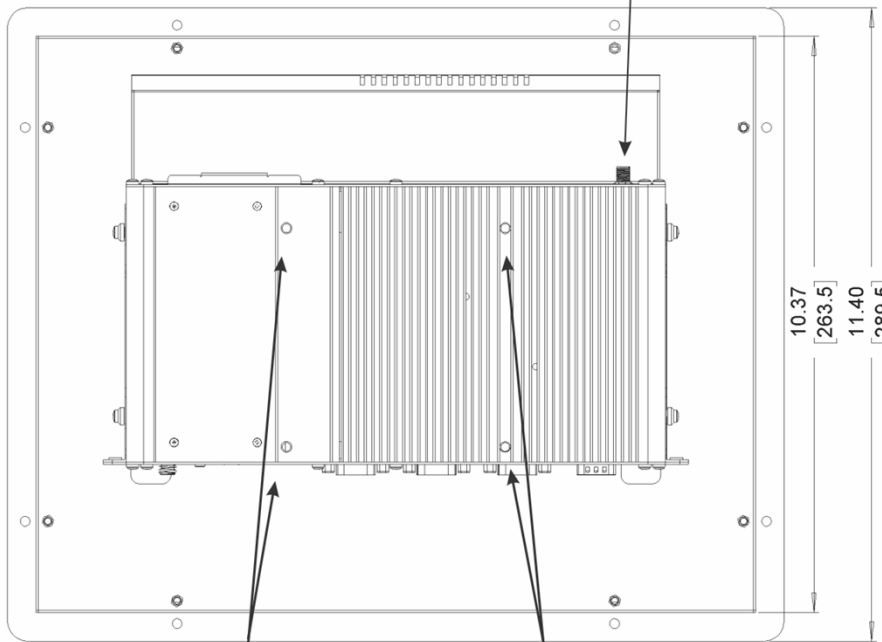
- |  |   |
|--|---|
| <b>A</b> Solid State Drive Bay                 | <b>H</b> HDMI® Output   |
| <b>B</b> VESA 100 x 100 mounting               | <b>I</b> Gigabit Ethernet Ports   |
| <b>C</b> DC Input Power Connector              | <b>J</b> COM Ports DE9P (RS232)   |
| <b>D</b> Illuminated Power Button              | <b>K</b> USB 3.0 Host Ports   |
| <b>E</b> 3.5mm Audio Ports (Mic-In / Line Out) | <b>L</b> COM Port DE9P (RS232/RS422/RS485 Configurable)                           |
| <b>F</b> USB 2.0 Host Ports                    | <b>M</b> Thumb-Screw Mounting   |
| <b>G</b> DisplayPort Output                    | <b>N</b> Wi-Fi Antenna Connector<br>(Nonfunctional unless Wi-Fi Option Purchased) |

## PC1315

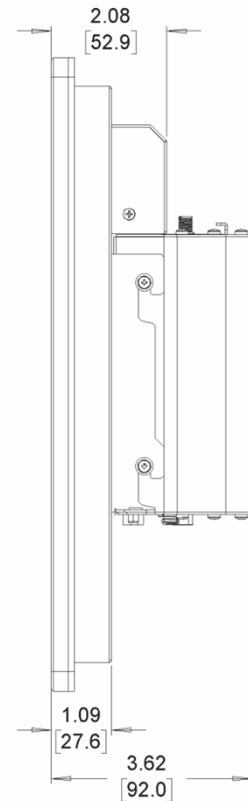


**TOP VIEW**

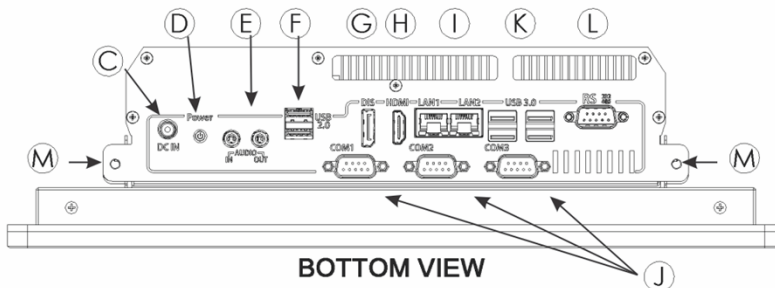
DIMENSIONS ARE IN INCHES [MM]



**REAR VIEW**



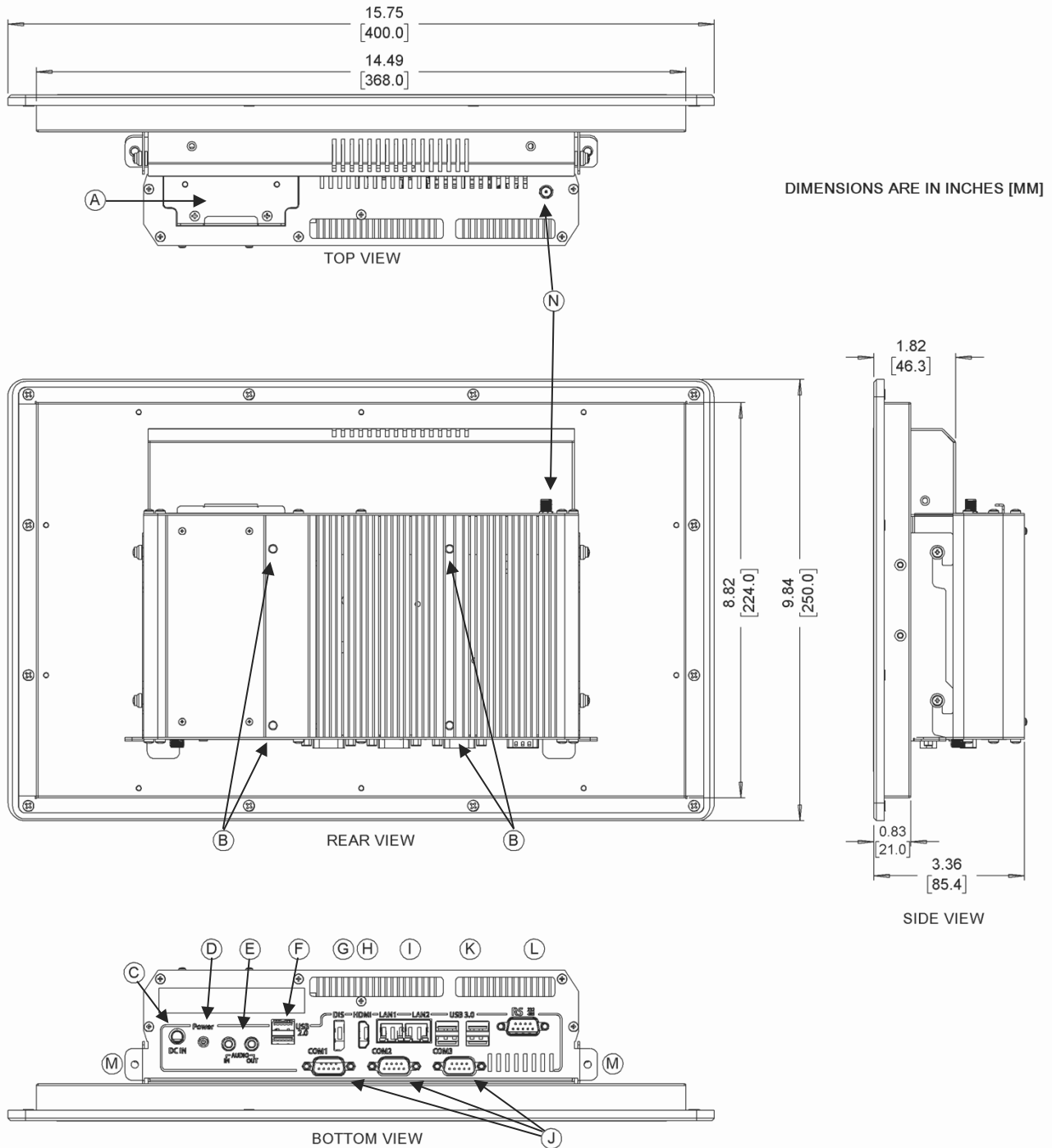
**SIDE VIEW**



**BOTTOM VIEW**

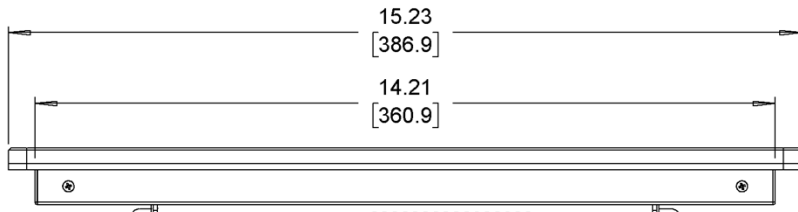
- |  |   |
|--|---|
| <b>A</b> Solid State Drive Bay                 | <b>H</b> HDMI® Output   |
| <b>B</b> VESA 100 x 100 mounting               | <b>I</b> Gigabit Ethernet Ports   |
| <b>C</b> DC Input Power Connector              | <b>J</b> COM Ports DE9P (RS232)   |
| <b>D</b> Illuminated Power Button              | <b>K</b> USB 3.0 Host Ports   |
| <b>E</b> 3.5mm Audio Ports (Mic-In / Line Out) | <b>L</b> COM Port DE9P (RS232/RS422/RS485 Configurable)                           |
| <b>F</b> USB 2.0 Host Ports                    | <b>M</b> Thumb-Screw Mounting   |
| <b>G</b> DisplayPort Output                    | <b>N</b> Wi-Fi Antenna Connector<br>(Nonfunctional unless Wi-Fi Option Purchased) |

## PC1316



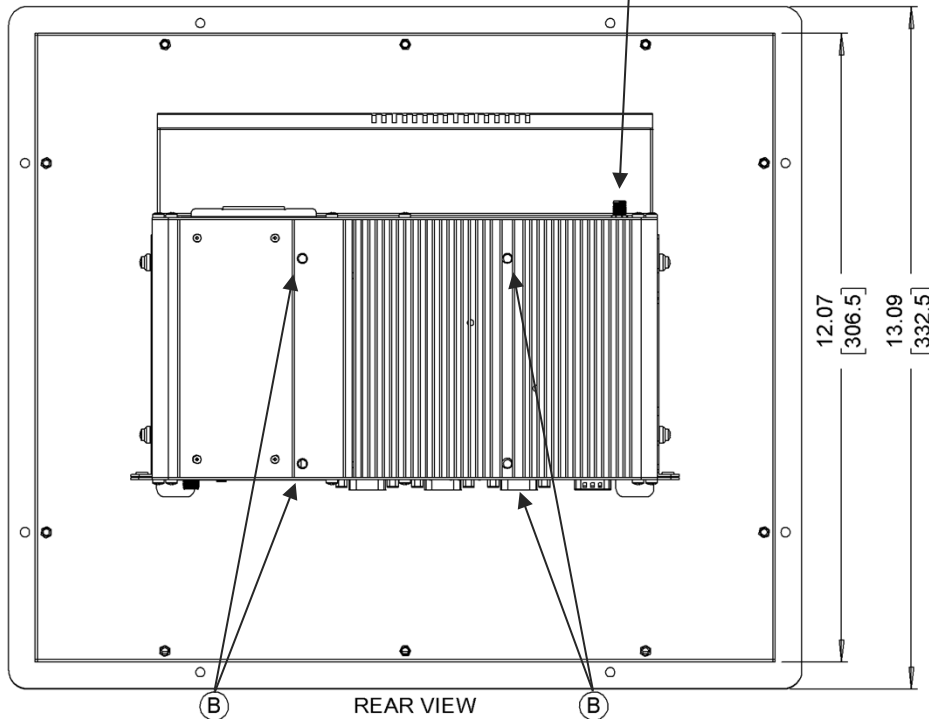
- |  |   |
|--|---|
| <b>A</b> Solid State Drive Bay                 | <b>H</b> HDMI® Output   |
| <b>B</b> VESA 100 x 100 mounting               | <b>I</b> Gigabit Ethernet Ports   |
| <b>C</b> DC Input Power Connector              | <b>J</b> COM Ports DE9P (RS232)   |
| <b>D</b> Illuminated Power Button              | <b>K</b> USB 3.0 Host Ports   |
| <b>E</b> 3.5mm Audio Ports (Mic-In / Line Out) | <b>L</b> COM Port DE9P (RS232/RS422/RS485 Configurable)                           |
| <b>F</b> USB 2.0 Host Ports                    | <b>M</b> Thumb-Screw Mounting   |
| <b>G</b> DisplayPort Output                    | <b>N</b> Wi-Fi Antenna Connector<br>(Nonfunctional unless Wi-Fi Option Purchased) |

## PC1317

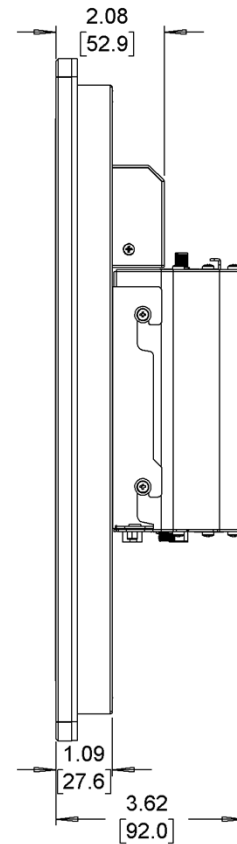


TOP VIEW

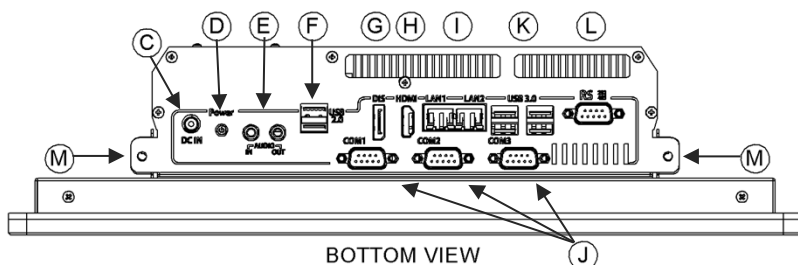
DIMENSIONS ARE IN INCHES [MM]



REAR VIEW



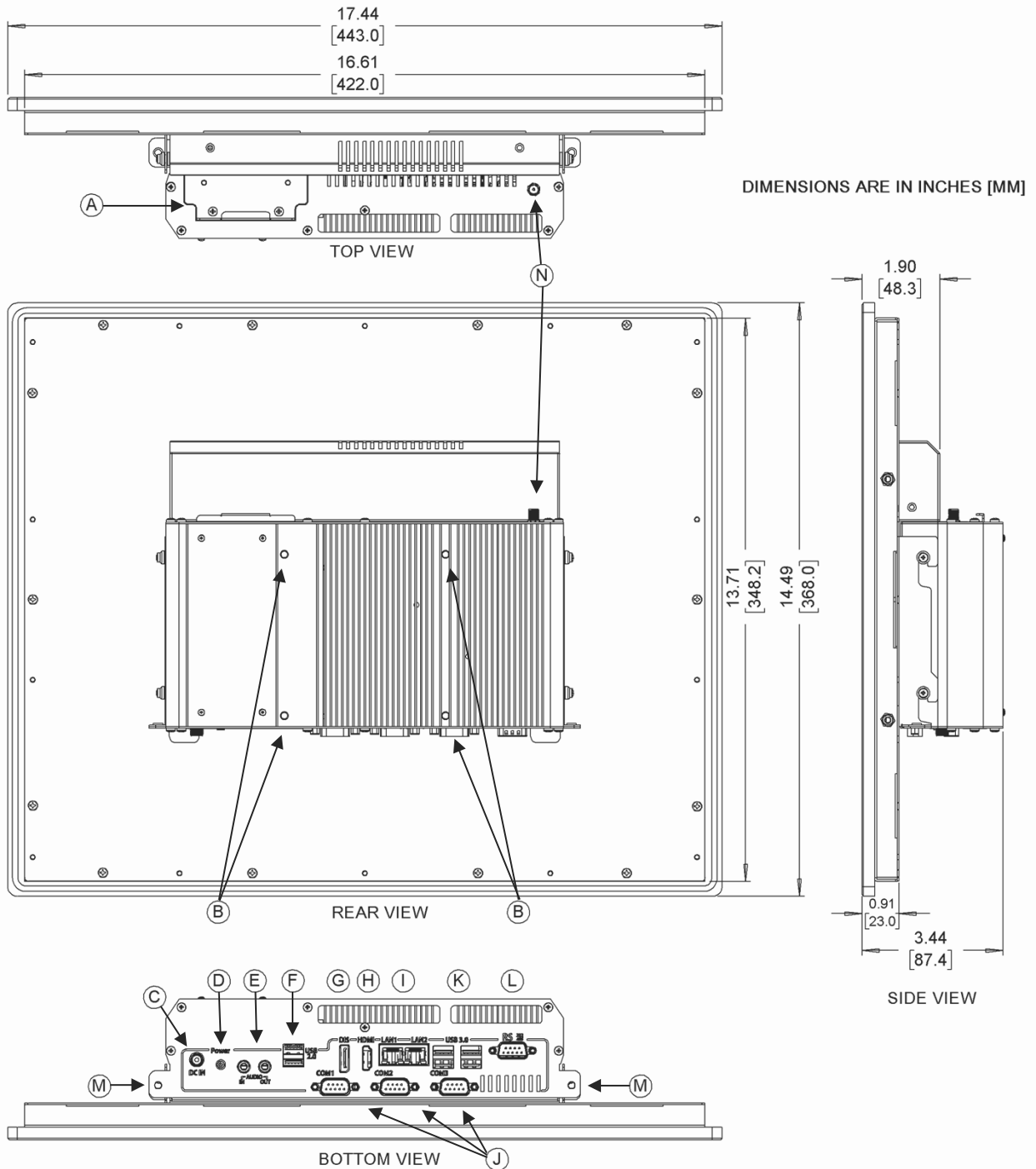
SIDE VIEW



BOTTOM VIEW

- |  |   |
|--|---|
| <b>A</b> Solid State Drive Bay                 | <b>H</b> HDMI® Output   |
| <b>B</b> VESA 100 x 100 mounting               | <b>I</b> Gigabit Ethernet Ports   |
| <b>C</b> DC Input Power Connector              | <b>J</b> COM Ports DE9P (RS232)   |
| <b>D</b> Illuminated Power Button              | <b>K</b> USB 3.0 Host Ports   |
| <b>E</b> 3.5mm Audio Ports (Mic-In / Line Out) | <b>L</b> COM Port DE9P (RS232/RS422/RS485 Configurable)                           |
| <b>F</b> USB 2.0 Host Ports                    | <b>M</b> Thumb-Screw Mounting   |
| <b>G</b> DisplayPort Output                    | <b>N</b> Wi-Fi Antenna Connector<br>(Nonfunctional unless Wi-Fi Option Purchased) |

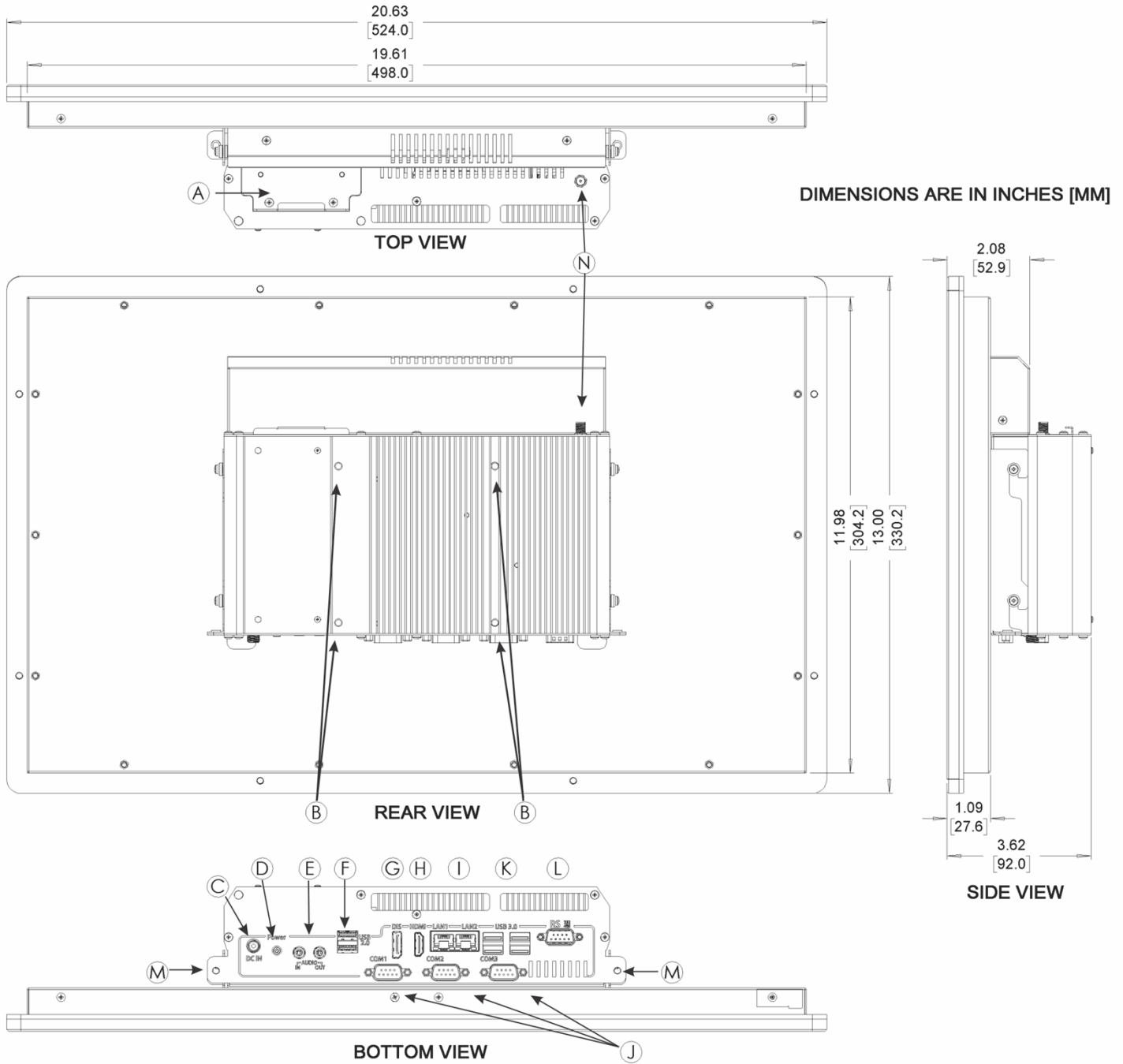
## PC1319



- |  |   |
|--|---|
| <b>A</b> Solid State Drive Bay                 | <b>H</b> HDMI® Output   |
| <b>B</b> VESA 100 x 100 mounting               | <b>I</b> Gigabit Ethernet Ports   |
| <b>C</b> DC Input Power Connector              | <b>J</b> COM Ports DE9P (RS232)   |
| <b>D</b> Illuminated Power Button              | <b>K</b> USB 3.0 Host Ports   |
| <b>E</b> 3.5mm Audio Ports (Mic-In / Line Out) | <b>L</b> COM Port DE9P (RS232/RS422/RS485 Configurable)                           |
| <b>F</b> USB 2.0 Host Ports                    | <b>M</b> Thumb-Screw Mounting   |
| <b>G</b> DisplayPort Output                    | <b>N</b> Wi-Fi Antenna Connector<br>(Nonfunctional unless Wi-Fi Option Purchased) |



## PC1321



- |  |   |
|--|---|
| <b>A</b> Solid State Drive Bay                 | <b>H</b> HDMI® Output   |
| <b>B</b> VESA 100 x 100 mounting               | <b>I</b> Gigabit Ethernet Ports   |
| <b>C</b> DC Input Power Connector              | <b>J</b> COM Ports DE9P (RS232)   |
| <b>D</b> Illuminated Power Button              | <b>K</b> USB 3.0 Host Ports   |
| <b>E</b> 3.5mm Audio Ports (Mic-In / Line Out) | <b>L</b> COM Port DE9P (RS232/RS422/RS485 Configurable)                           |
| <b>F</b> USB 2.0 Host Ports                    | <b>M</b> Thumb-Screw Mounting   |
| <b>G</b> DisplayPort Output                    | <b>N</b> Wi-Fi Antenna Connector<br>(Nonfunctional unless Wi-Fi Option Purchased) |