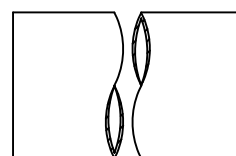
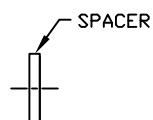
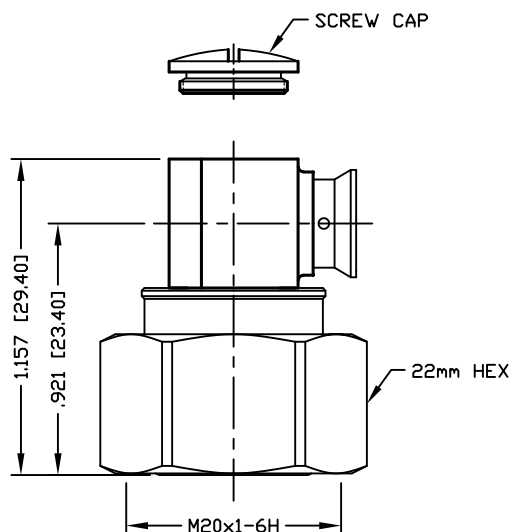


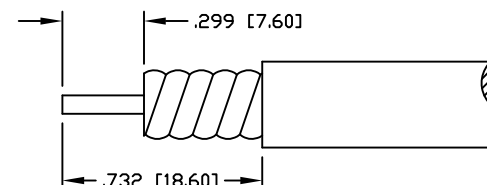
PART NO.

**RFD-43MRA-HPL**

REV	DESCRIPTION	DWN	DATE	APPROVED
B	UPDATED SPECS	CZS	09/09/20	JDMc



TUBING NOT TO SCALE



RECOMMENDED STRIPING DIMENSIONS

USE OF CABLE TRIM TOOL IS RECOMMENDED  
USE COMPATIBLE TRIM TOOL SUCH AS MCPT-1412

**SPECIFICATIONS:**

INTERFACE: IEC61169-54

IMPEDANCE: 50 Ohms

FREQUENCY RANGE: 0-6 GHz

MATING CYCLES: &gt;100

COUPLING TORQUE:  $\geq 3.7$  FT-LB ( $\geq 5$  Nm)

VSWR: &lt;1.15:1 THRU 3 GHz

3rd ORDER IM:  $\leq -160$  dBc @ 700 MHz & 1900 MHz

3rd ORDER IM TEST METHOD: 2x43 dBm CARRIERS

DC TEST VOLTAGE: 2500 V @ SEA LEVEL

INSULATION RESISTANCE: 5000 M $\Omega$ 

TEMPERATURE RANGE: -55°C TO 90°C

NET WEIGHT: 0.085 lb

CERTIFICATIONS: RoHS

ENVIRONMENTAL: IEC 60529, IPX8 (2.5 BAR, 1 HOUR)

IEC 61169-1 CLAUSE 9.4.6 48 HOUR SALT MIST, 35°C

USED ON: SPP-250-LLPP, SPO-250, SCF14-50J, SPF-250,

FSJ1-50A, SCF14-50J, PTS1-50-P, TFT-401, EC1-50-HF

NOTE: ATTACH CABLE TO CONNECTOR BY  
SOLDERING THE CABLE INNER CONDUCTOR  
TO THE PIN SLOT INSIDE THE CONNECTOR

#	DESCRIPTION	QTY	MATERIAL	FINISH
9	SPACER	1	PTFE	NATURAL
8	TUBING	1	HEAT SHRINK	BLACK
7	SCREW CAP	1	BRASS	WHITE BRONZE
6	SHELL	1	BRASS	WHITE BRONZE
5	RETAINING RING	1	BeCu	WHITE BRONZE
4	O-RING	1	S.I. RUBBER	RED
3	INSULATOR	1	PTFE	NATURAL
2	PIN	1	BRASS	SILVER
1	BODY	1	BRASS	WHITE BRONZE

CUSTOMER  
OUTLINE DRAWINGALL DIMENSIONS  
ARE REFERENCE ONLYUNLESS OTHERWISE SPECIFIED:  
DIMENSIONS ARE IN INCHES  
AND [MILLIMETERS]DRAWN  
C. ZUNIGA 09/09/20

CHECKED

ORJ DRAWN  
C. ZUNIGA 10/27/16

**RoHS**  
**COMPLIANT**

PROPRIETARY AND CONFIDENTIAL  
THIS DRAWING CONTAINS  
INFORMATION PROPRIETARY TO  
RF INDUSTRIES. ANY  
UNAUTHORIZED USE OF THIS  
DRAWING IS EXPRESSLY  
PROHIBITED WITHOUT WRITTEN  
PERMISSION FROM RF  
INDUSTRIES. ANY VIOLATION IS  
PUNISHABLE UNDER U.S.  
COPYRIGHT LAWS.

**RFconnectors**  
DIVISION OF RF INDUSTRIES, LTD.

7610 MIRAMAR RD.  
SAN DIEGO, CA 92126  
(858) 549-6340  
(858) 549-6345 FAX

**4.3/10 MALE RIGHT ANGLE  
FOR 1/4" CABLE**

SIZE	CABLE GROUP	DWG NO.	REVISION
A	HPL	<b>RFD-43MRA-HPL</b>	B
SCALE:	ENGINEERING ID:	SHEET 1 OF 1	
NTS	000000		