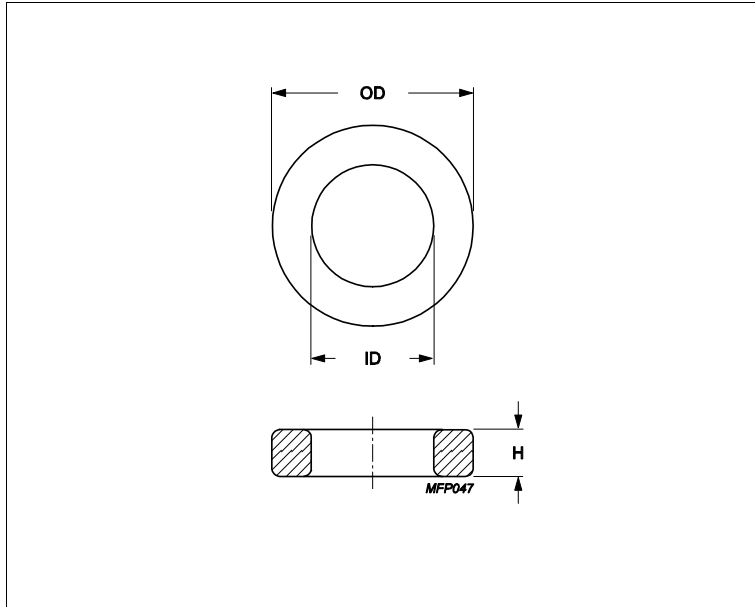


## Core **Toroid 39/20/13**



Effective parameters			
	Parameter	Value	Unit
$\Sigma(I/A)$	core factor (C1)	0.76	mm <sup>-1</sup>
<b>Ve</b>	effective volume	9513	mm <sup>3</sup>
<b>Le</b>	effective length	84.9	mm
<b>Ae</b>	effective area	112	mm <sup>2</sup>
<b>m</b>	mass of core	≈ 45	g/pcs

Epoxy coating DC isolation voltage 2000.

Maximum operating temperature of the coating is 200°C.

### Dimensions (mm)

Cores	OD	ID	H	
<b>TX39/20/13</b>	39.8 max	18.6 min	13.58 max	Epoxy Coated

### Core data

Cores	Material	Al (nH/turns <sup>2</sup> )	Al tolerance	$\mu\epsilon$
<b>TX39/20/13</b>	3C94	4070	± 25%	≈ 2300
<b>TX39/20/13</b>	3E10	17700	± 20%	≈ 10000
<b>TX39/20/13</b>	3E12	21200	± 30%	≈ 12000
<b>TX39/20/13</b>	3E27	9730	± 25%	≈ 5500
<b>TX39/20/13</b>	3E6 (3E10-M)	17700	± 30%	≈ 10000
<b>TX39/20/13</b>	3E65	9200	± 25%	≈ 5200