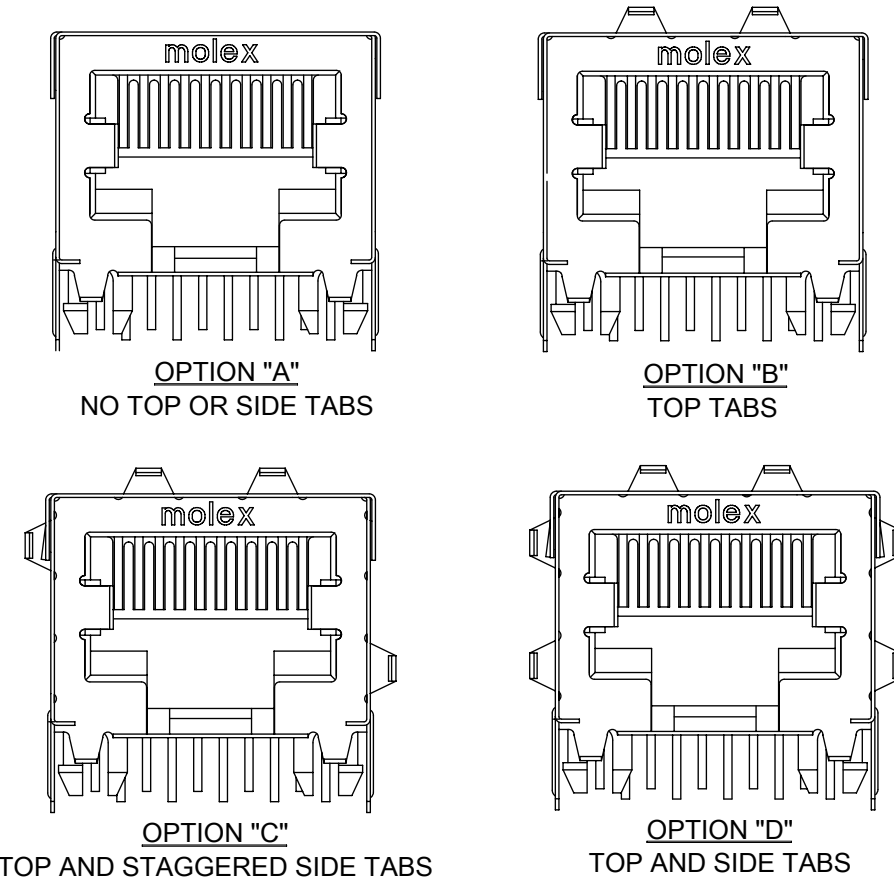


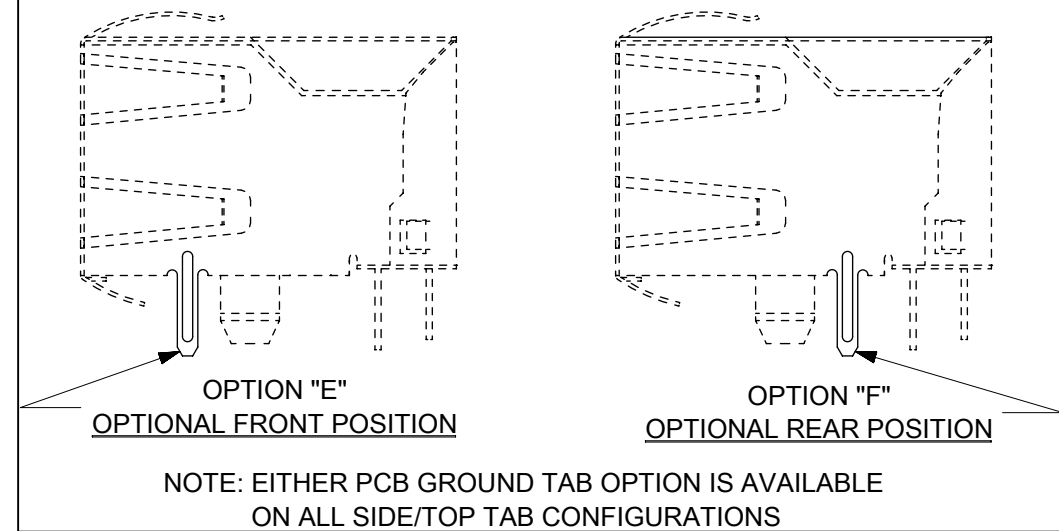
NOTES:

- 1) MATERIAL:
 - HOUSING: NYLON(PA), GLASS FILLED, UL94V-0, COLOR: BLACK
 - INSULATOR: NYLON(PA), GLASS FILLED, UL94V-0, COLOR: BLACK
 - TERMINALS: PHOSPHOR BRONZE, 0.30 mm THICK
 - SHIELD: BRASS, 0.18 mm THICK
- 2) FINISH:
 - TERMINALS:
 - A = SELECT GOLD IN CONTACT AREA: 1.27 MICROMETERS MIN.,
 - *SELECT TIN IN PC TAIL AREA: 2.54 MICROMETERS MIN.,
 - WITH OVERALL NICKEL UNDERPLATE: 1.27 MICROMETERS MIN.
 - B = SELECT GOLD IN CONTACT AREA: 0.76 MICROMETERS MIN.,
 - *SELECT TIN IN PC TAIL AREA: 2.54 MICROMETERS MIN.,
 - WITH OVERALL NICKEL UNDERPLATE: 1.27 MICROMETERS MIN.
 - SHIELD:
 - *2.54 MICROMETERS NICKEL OVER 1.27 MICROMETERS COPPER UNDERPLATE;
 - PCB GROUND TABS DIPPED IN TIN
 - *THE PRIMARY SHIPPING CARTON WILL BE LABELED "COMPLIANT TO RoHS DIRECTIVE 2002/95/EC AND ELV ANNEX II OF DIRECTIVE 2000/53/EC".
 - CARTONS WITHOUT THIS LABEL MAY CONTAIN PRODUCT WITH TIN-LEAD IN THE PC TAILS AND/OR SHIELD.
- 3) PRODUCT SPECIFICATION AND PROCESSING PARAMETERS: PS-43249.
- 4) PACKAGING SPECIFICATION:
 - UNSHIELDED CONNECTOR ASSEMBLIES PACKAGED IN THERMOFORMED TRAYS PER MOLEX PACKAGING SPECIFICATION PK-43249-004.
 - UNSHIELDED CONNECTOR ASSEMBLIES PACKAGED IN TUBES PER MOLEX PACKAGING SPECIFICATION PK-43249-005.
 - SHIELDED CONNECTOR ASSEMBLIES PACKAGED IN THERMOFORMED TRAYS PER MOLEX PACKAGING SPECIFICATION PK-44050-004.
- 5) MATES WITH: MODULAR PLUGS THAT CONFORM TO FCC REGULATION PART 68.5.
- 6) SEE SHEET 3 FOR SHIELDED JACK ASSEMBLY.
- 7) SEE SHEETS 5 & 6 FOR P.C. BOARD LAYOUTS.
- 8) ALL UNTOLERANCED DIMENSIONS ARE SHOWN FOR REFERENCE ONLY.
- 9) THIS PART CONFORMS TO CLASS B REQUIREMENTS OF COSMETIC SPECIFICATION PS-45499-002.
- 10) THIS PART CONFORMS TO FCC REGULATION 68.5 AND TIA 1096 FOR MODULAR JACKS.

SIDE/TOP GROUND TAB OPTIONS FOR SHIELDS



BOTTOM PCB GROUND TAB OPTIONS FOR SHIELDS



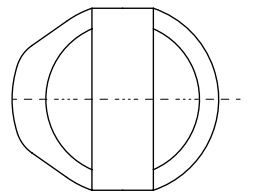
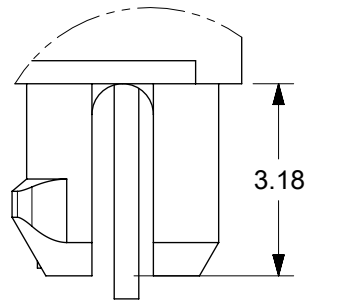
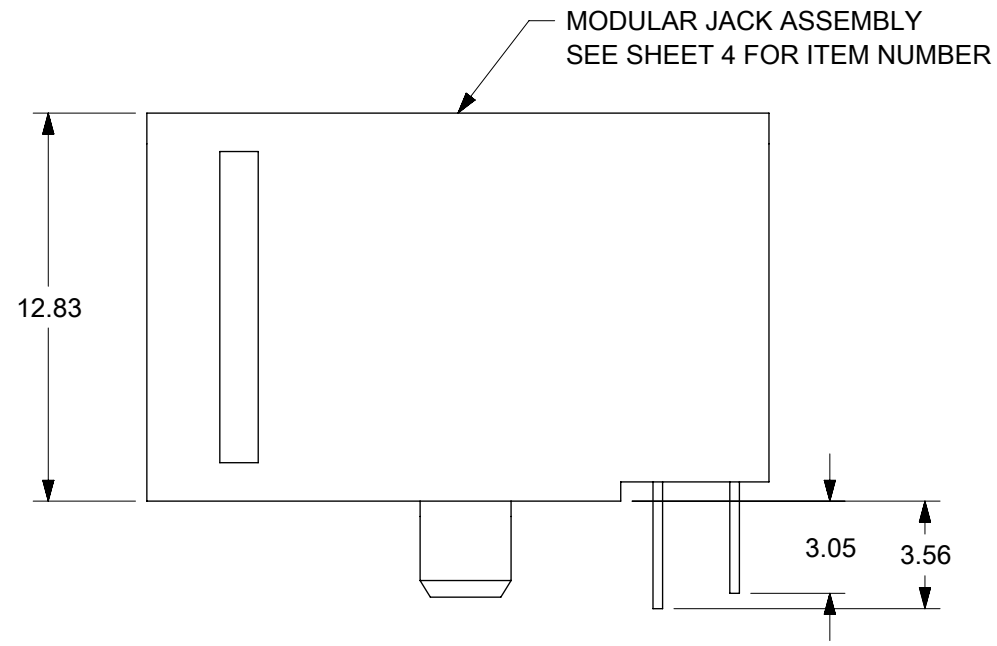
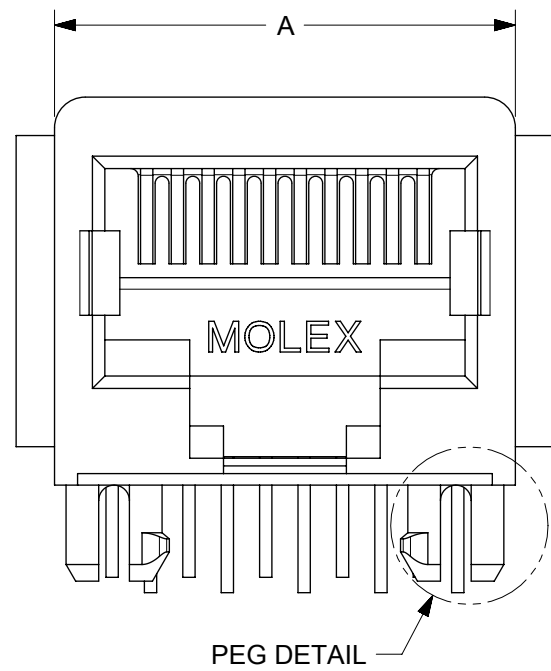
DRAWING LEGEND

- SHEET 1- NOTES; GROUND TAB OPTIONS
- SHEET 2- UNSHIELDED MODULAR JACK
- SHEET 3- SHIELDED MODULAR JACK WITH OPTIONAL SIDE/TOP GROUND TABS & BOTTOM GROUND TAB WITH OPTIONAL POSITION.
- SHEET 4- PART NUMBER CHARTS
- SHEET 5- FOOTPRINT LAYOUT FOR 8 POSITION HOUSING
- SHEET 6- FOOTPRINT LAYOUT FOR 6 POSITION HOUSING

FUNCTIONAL SYMBOLS	THIS DRAWING CONTAINS INFORMATION THAT IS PROPRIETARY TO MOLEX ELECTRONIC TECHNOLOGIES, LLC AND SHOULD NOT BE USED WITHOUT WRITTEN PERMISSION		CURRENT REV DESC: MIGRATED TO NX		molex						
	FUNCTIONAL DIMENSION UNITS	SCALE									
$\nabla_A = 0$	mm	4:1	GENERAL TOLERANCES (UNLESS SPECIFIED)		LOW PROFILE RIGHT ANGLE MODULAR JACK ASSEMBLY						
$\nabla_E = 0$	ANGULAR TOL $\pm 0.5^\circ$		4 PLACES \pm								
$\nabla_F = 0$	3 PLACES \pm		2 PLACES ± 0.25		PRODUCT CUSTOMER DRAWING						
DIVISIONAL SYMBOLS	1 PLACE \pm		0 PLACES \pm								
DRAFT WHERE APPLICABLE MUST REMAIN WITHIN DIMENSIONS			THIRD ANGLE PROJECTION	DRAWING	SERIES	MATERIAL NUMBER	CUSTOMER	DOCUMENT NUMBER	DOC TYPE	DOC PART	REVISION
				A3-SIZE	43249	SEE SHEET 4	GENERAL MARKET	SDA-43249	PSD	001	K3
											SHEET NUMBER
											1 OF 6

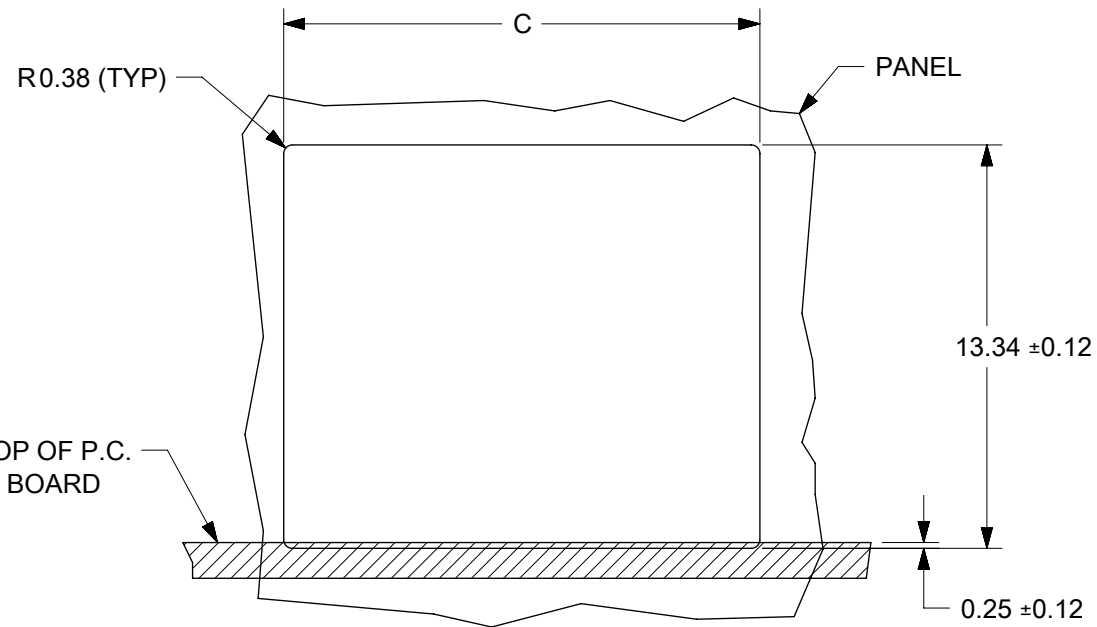
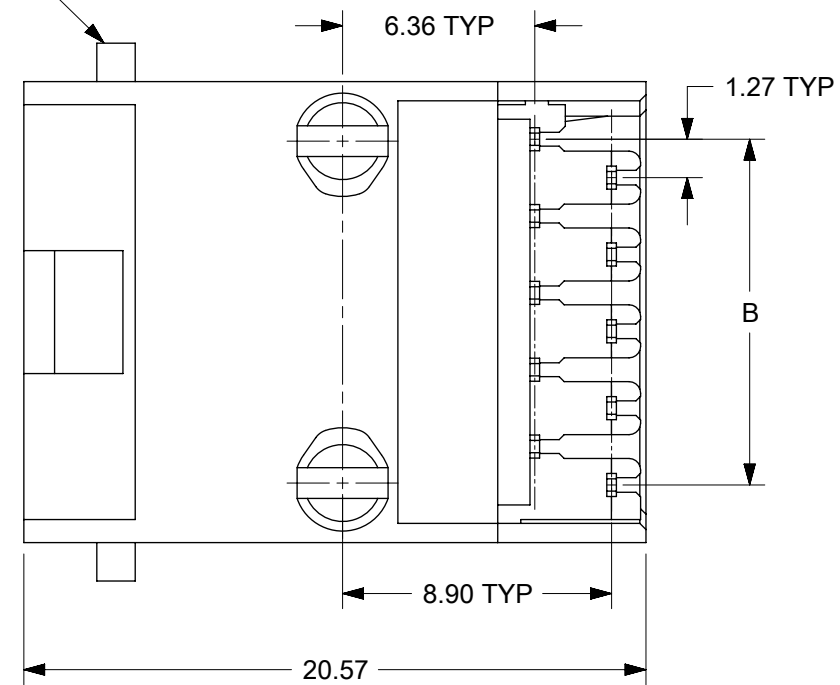
UNSHIELDED MODULAR JACK

8 POSITION LOADED 10 SIZE SHOWN



PEG DETAIL
SCALE 8:1

OPTIONAL FLANGE
USED FOR FLUSH
MODULAR JACK



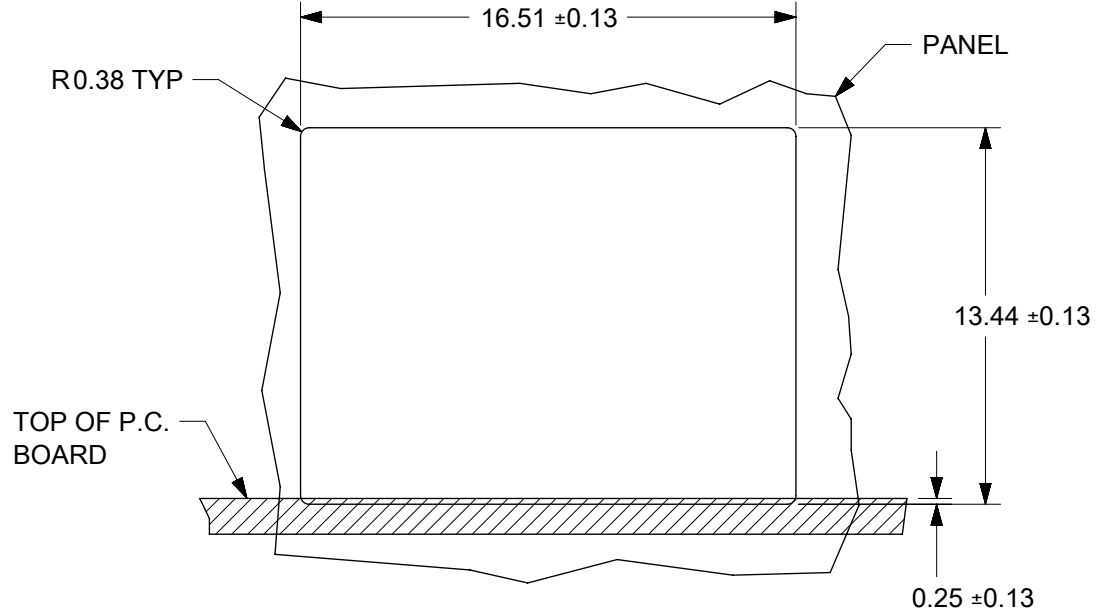
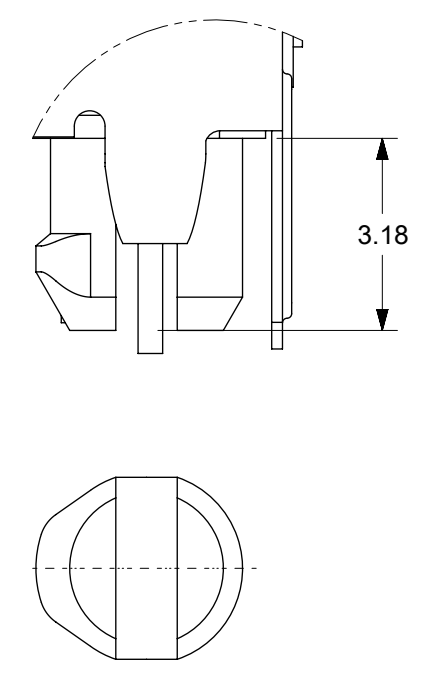
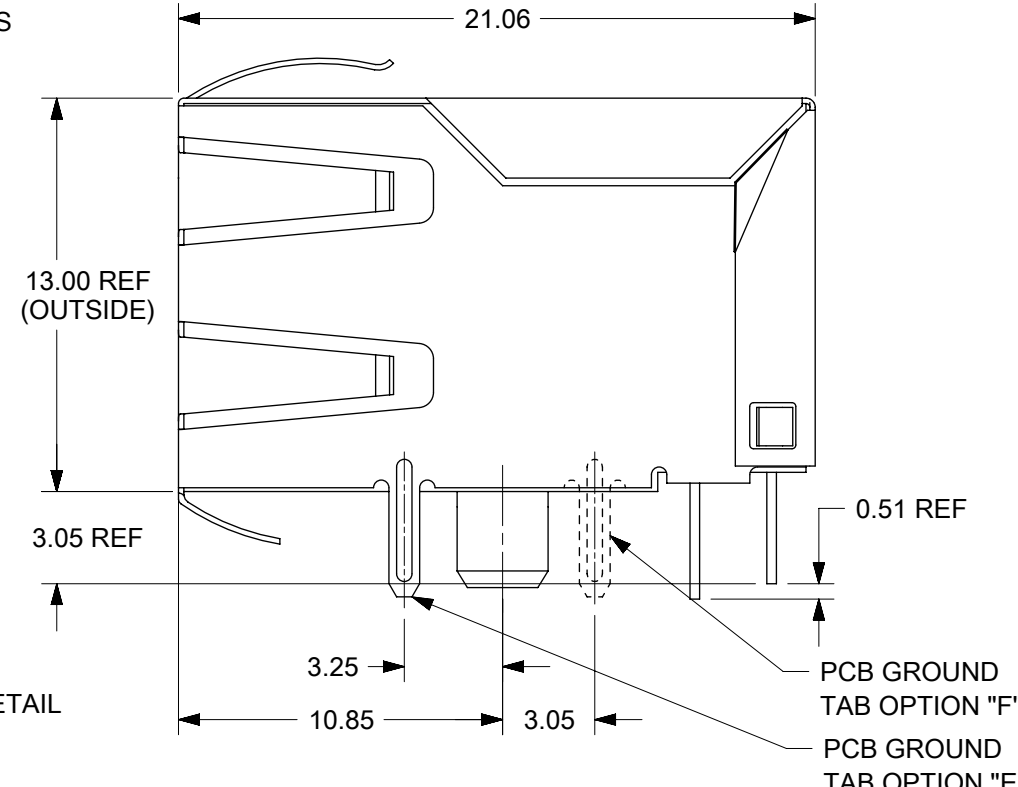
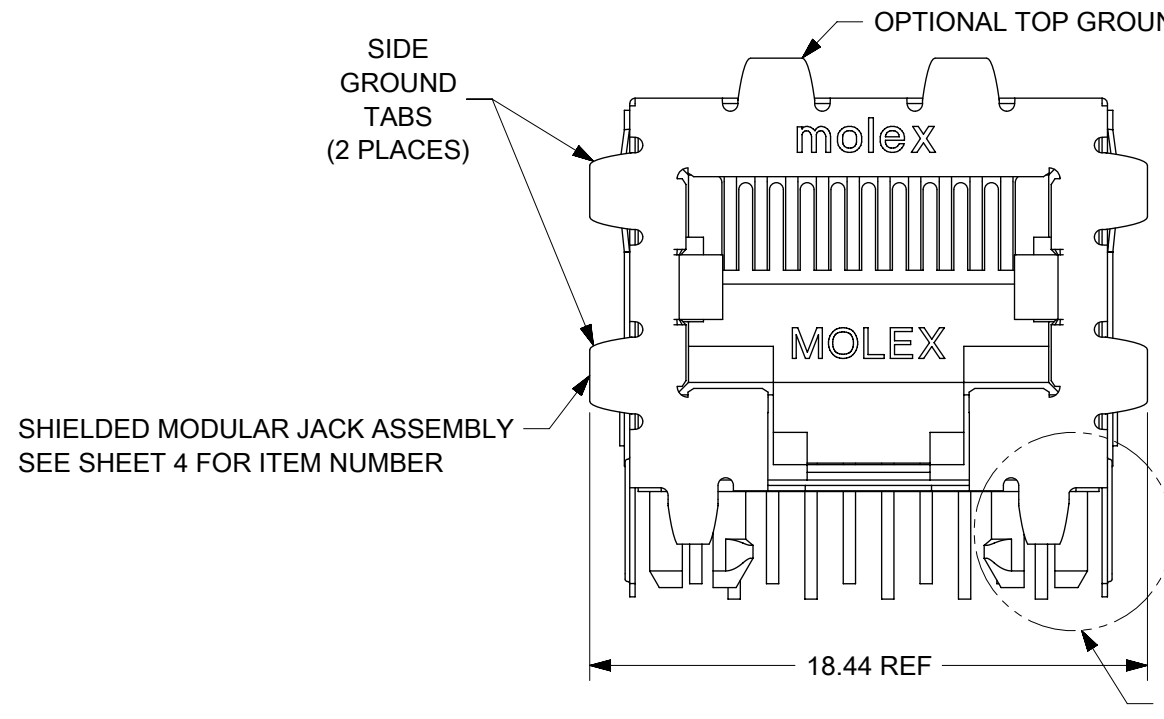
PANEL CUT-OUT (UNSHIELDED)

HOUSING SIZE	CIRCUIT SIZE	DIM. A	DIM. B	DIM. C
8	10	15.24±0.13	11.43±0.13	15.75±0.13
8	8	15.24±0.13	8.89±0.13	15.75±0.13
8	4	15.24±0.13	3.81±0.13	15.75±0.13
8	6	15.24±0.13	6.35±0.13	15.75±0.13
6	6	13.21±0.13	6.35±0.13	13.72±0.13
6	4	13.21±0.13	3.81±0.13	13.72±0.13
6	2	13.21±0.13	1.27±0.13	13.72±0.13

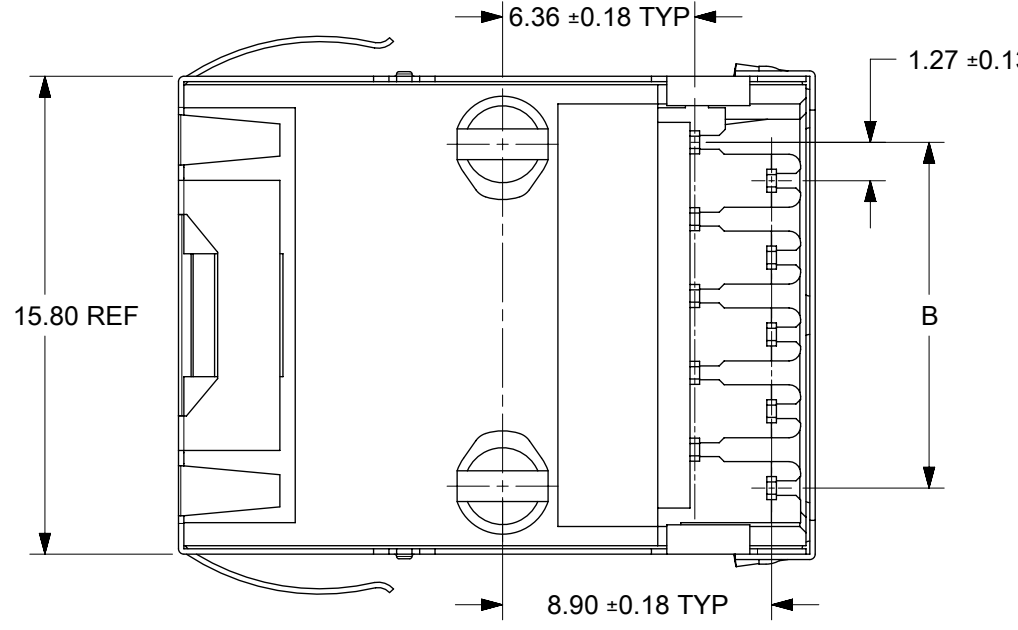
FUNCTIONAL SYMBOLS	THIS DRAWING CONTAINS INFORMATION THAT IS PROPRIETARY TO MOLEX ELECTRONIC TECHNOLOGIES, LLC AND SHOULD NOT BE USED WITHOUT WRITTEN PERMISSION				
	$\nabla_A = 0$ $\nabla_E = 0$ $\nabla_V = 0$	DIMENSION UNITS: mm SCALE: 4:1			
DIVISIONAL SYMBOLS	GENERAL TOLERANCES (UNLESS SPECIFIED)		EC NO: 705669 DRWN: KKUMARB CHK'D: KLANG APPR: KLANG		
	ANGULAR TOL ± 0.5° 4 PLACES ± 3 PLACES ± 2 PLACES ± 0.25 1 PLACE ± 0 PLACES ±		2020/07/07 2022/05/23 2022/05/23		
DRAFT WHERE APPLICABLE MUST REMAIN WITHIN DIMENSIONS			THIRD ANGLE PROJECTION	DRAWING: A3-SIZE	SERIES: 43249
PRODUCT CUSTOMER DRAWING			DOCUMENT NUMBER: SDA-43249	DOC TYPE: PSD	DOC PART: 001
INITIAL REVISION:			REVISION: K3	SHEET NUMBER: 2 OF 6	

MODULAR JACK W/ .007" THICK SHIELD AND OPTIONAL GROUND TABS

8 LOADED 10 VERSION SHOWN WITH GROUND TAB OPTIONS "D" AND "E"



PANEL CUT-OUT (SHIELDED)



DESCRIPTION OF GROUND TAB OPTIONS:
(SEE SHEET 4 FOR AVAILABLE COMBINATIONS OF OPTIONS)

GROUND TAB OPTION	DESCRIPTION
A	NO GROUND TABS
B	TOP TABS ONLY
C	STAGGERED SIDE TABS
D	TOP AND SIDE TABS
E	PCB GROUND TAB IN FRONT POSITION
F	PCB GROUND TAB IN REAR POSITION

HOUSING SIZE	CIRCUIT SIZE	B
8	10	11.43±0.13
8	8	8.89±0.13

DOCUMENT STATUS | P1 | RELEASE DATE | 2022/05/23 17:01:26

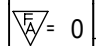
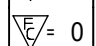
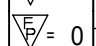

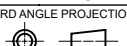
FUNCTIONAL SYMBOLS	THIS DRAWING CONTAINS INFORMATION THAT IS PROPRIETARY TO MOLEX ELECTRONIC TECHNOLOGIES, LLC AND SHOULD NOT BE USED WITHOUT WRITTEN PERMISSION		CURRENT REV DESC: MIGRATED TO NX				
	$\nabla_A = 0$ $\nabla_E = 0$ $\nabla_V = 0$	DIMENSION UNITS mm					
DIVISIONAL SYMBOLS	GENERAL TOLERANCES (UNLESS SPECIFIED)		EC NO: 705669		DRWN: KKUMARB 2020/07/07 CHK'D: KLANG 2022/05/23 APPR: KLANG 2022/05/23		
	ANGULAR TOL ± 0.5°		DRWN: RFC_PLMIMP 2020/08/19				
	4 PLACES ±		APPR: REDGLEY 2000/08/11		DOCUMENT NUMBER SDA-43249		
	3 PLACES ±		INITIAL REVISION:		DOC TYPE PSD		
	2 PLACES ± 0.25		DRWN: RFC_PLMIMP 2020/08/19		DOC PART 001		
1 PLACE ±		APPR: REDGLEY 2000/08/11		REVISION K3			
0 PLACES ±		DRAFT WHERE APPLICABLE MUST REMAIN WITHIN DIMENSIONS		THIRD ANGLE PROJECTION 		SHEET NUMBER 3 OF 6	
		DRAWING A3-SIZE		SERIES 43249		MATERIAL NUMBER SEE SHEET 4	
				CUSTOMER GENERAL MARKET			

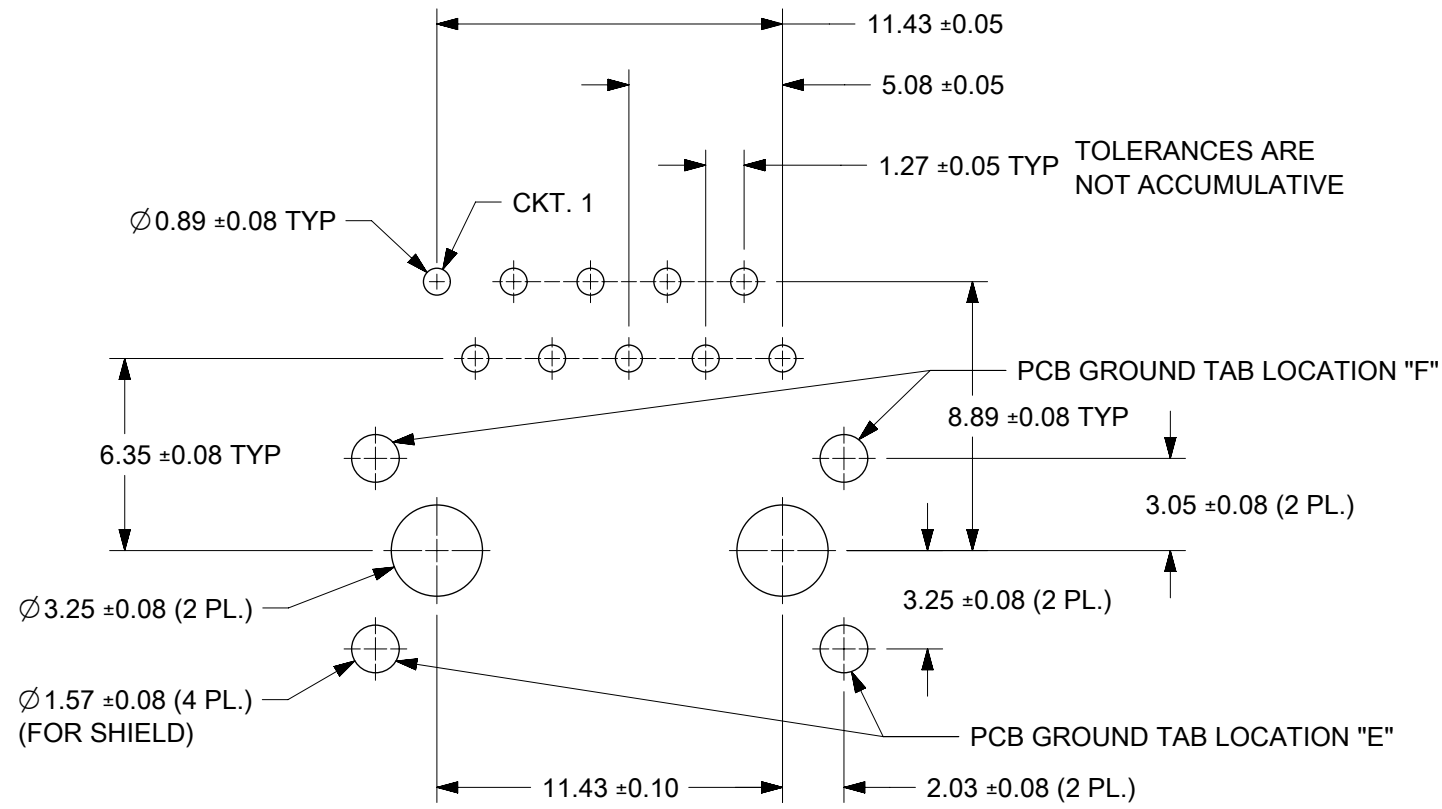
FLUSH MOUNT (UNSHIELDED)				
"X"=NOT TOOLED	ASSEMBLY ITEM NUMBER	CONNECTOR SIZE	NUMBER OF CIRCUITS	TERMINAL PLATING OPTION
X	43249-8001	8	10	A
	43249-8004	8	8	A
X	43249-8010	8	6	A
	43249-6001	6	6	A
X	43249-6004	6	4	A
X	43249-6007	6	2	A

FLANGELESS (UNSHIELDED)				
"X"=NOT TOOLED	ASSEMBLY ITEM NUMBER	CONNECTOR SIZE	NUMBER OF CIRCUITS	TERMINAL PLATING OPTION
X	43249-8101	8	10	A
X	43249-8102	8	10	B
	43249-8104	8	8	A
X	43249-8105	8	8	B
X	43249-8116	8	6	A
X	43249-8119	8	4	A
	43249-6101	6	6	A
	43249-6104	6	4	A
X	43249-6107	6	2	A

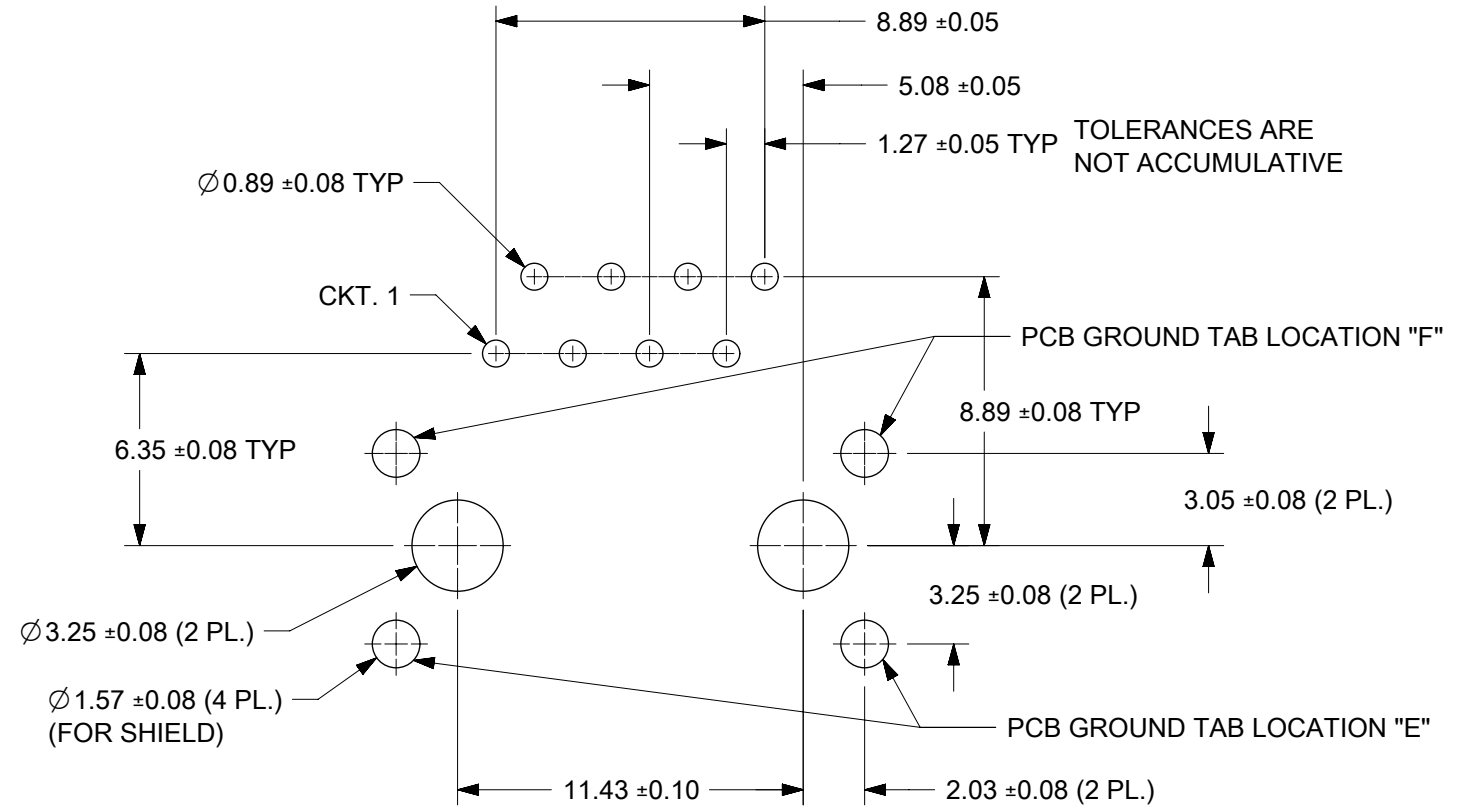
FLANGELESS (UNSHIELDED) (SHIPPED IN TUBES)				
"X"=NOT TOOLED	ASSEMBLY ITEM NUMBER	CONNECTOR SIZE	NUMBER OF CIRCUITS	TERMINAL PLATING OPTION
X	43249-6501	6	6	A
X	43249-6504	6	4	A

SHIELDED, 0.18mm THICK							
"X"=NOT TOOLED	ASSEMBLY ITEM NUMBER	CONNECTOR SIZE	NUMBER OF CIRCUITS	TERMINAL PLATING OPTION	SIDE/TOP PANEL GROUND TAB OPTION	PCB GROUND TAB OPTION	PACKAGING OPTION
	43249-8900	8	10	A	A	E	TRAY
X	43249-8901	8	10	A	B	E	TRAY
X	43249-8902	8	10	A	C	E	TRAY
X	43249-8903	8	10	A	D	E	TRAY
	43249-8908	8	10	A	A	F	TRAY
	43249-8909	8	10	A	B	F	TRAY
X	43249-8910	8	10	A	C	F	TRAY
	43249-8911	8	10	A	D	F	TRAY
	43249-8916	8	8	A	A	E	TRAY
	43249-8917	8	8	A	B	E	TRAY
X	43249-8918	8	8	A	C	E	TRAY
	43249-8919	8	8	A	D	E	TRAY
X	43249-8920	8	8	B	A	E	TRAY
	43249-8924	8	8	A	A	F	TRAY
X	43249-8925	8	8	A	B	F	TRAY
X	43249-8926	8	8	A	C	F	TRAY
	43249-8927	8	8	A	D	F	TRAY

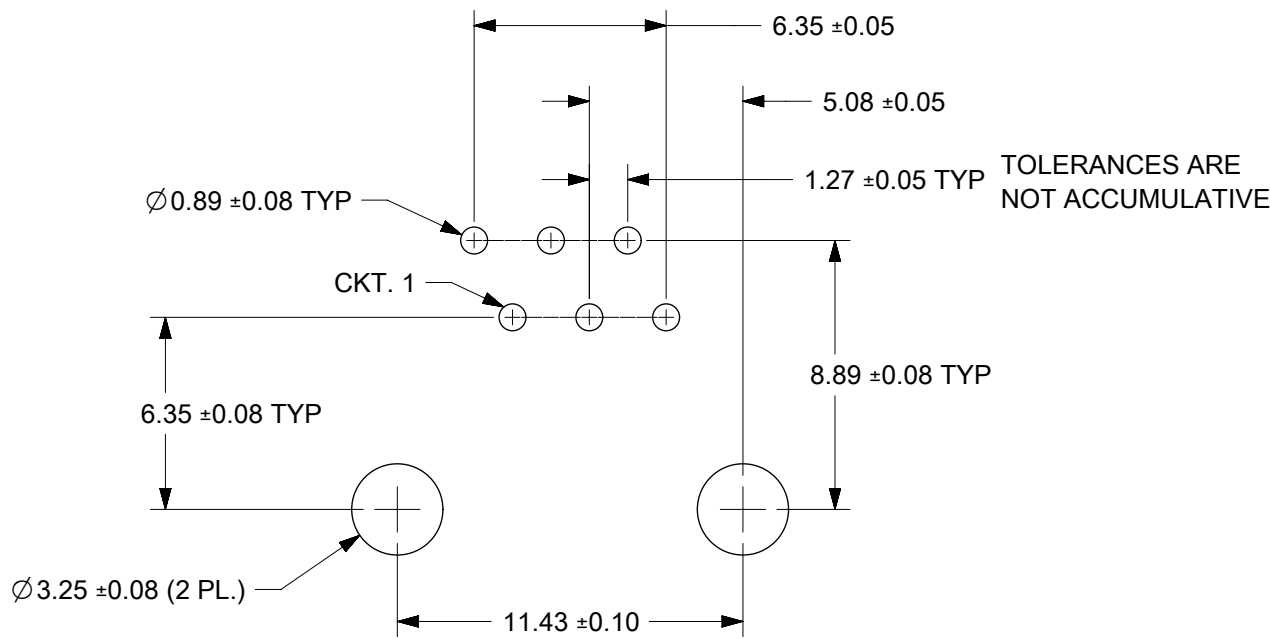
FUNCTIONAL SYMBOLS  = 0  = 0  = 0 DIVISIONAL SYMBOLS	THIS DRAWING CONTAINS INFORMATION THAT IS PROPRIETARY TO MOLEX ELECTRONIC TECHNOLOGIES, LLC AND SHOULD NOT BE USED WITHOUT WRITTEN PERMISSION DIMENSION UNITS: mm SCALE: 1:1 GENERAL TOLERANCES (UNLESS SPECIFIED) ANGULAR TOL ± 0.5° 4 PLACES ± 3 PLACES ± 2 PLACES ± 0.25 1 PLACE ± 0 PLACES ± DRAFT WHERE APPLICABLE MUST REMAIN WITHIN DIMENSIONS	CURRENT REV DESC: MIGRATED TO NX EC NO: 705669 DRWN: KKUMARB 2020/07/07 CHK'D: KLANG 2022/05/23 APPR: KLANG 2022/05/23 INITIAL REVISION: DRWN: RFC_PLMIMP 2020/08/19 APPR: REDGLE Y 2000/08/11	 LOW PROFILE RIGHT ANGLE MODULAR JACK ASSEMBLY PRODUCT CUSTOMER DRAWING
	DOCUMENT NUMBER: SDA-43249 DOC TYPE: PSD DOC PART: 001 REVISION: K3		
	THIRD ANGLE PROJECTION:  DRAWING: A3-SIZE SERIES: 43249 MATERIAL NUMBER: SEE CHART CUSTOMER: GENERAL MARKET SHEET NUMBER: 4 OF 6		



PC BOARD LAYOUT FOR SIZE 8, 10 CIRCUIT
(COMPONENT SIDE OF BOARD)



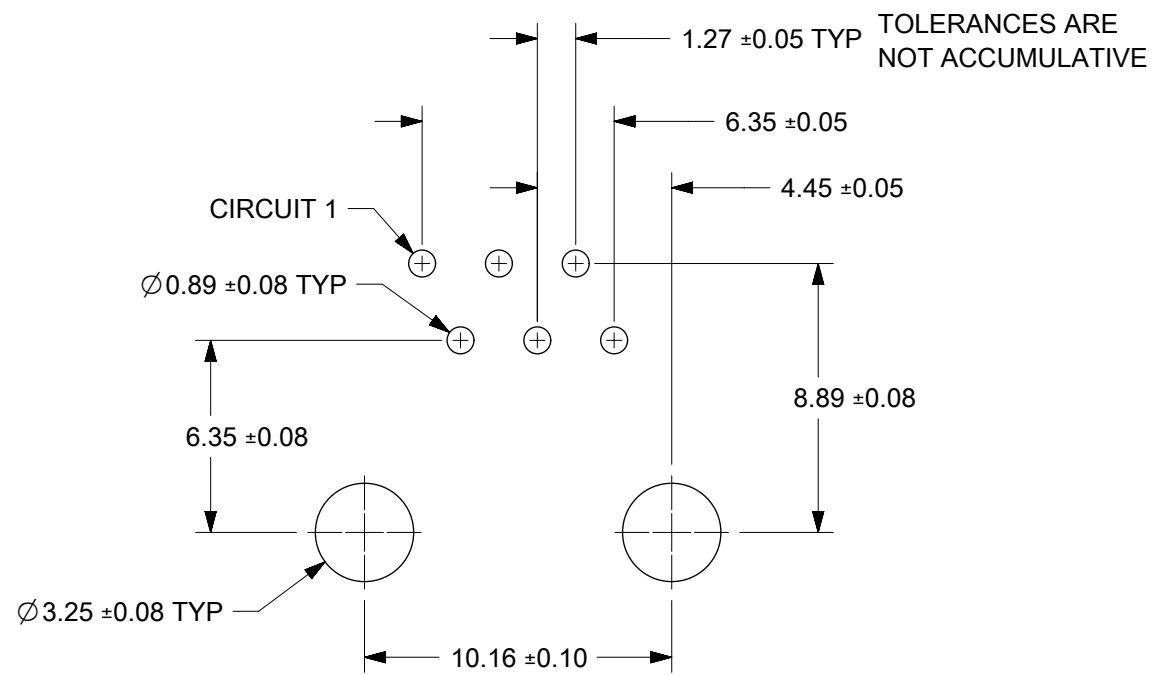
PC BOARD LAYOUT FOR SIZE 8, 8 CIRCUIT
(COMPONENT SIDE OF BOARD)



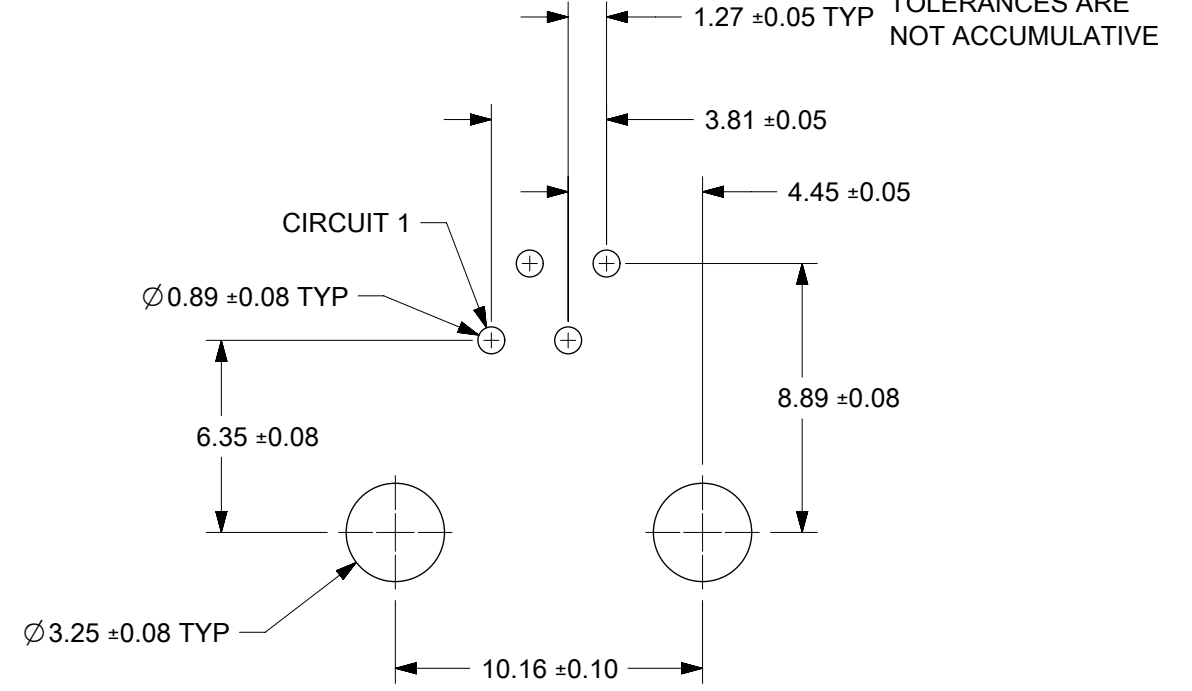
PC BOARD LAYOUT FOR SIZE 8, 6 CIRCUIT
(COMPONENT SIDE OF BOARD)

NOTES:
1. RECOMMENDED PCB THICKNESS: 1.57±0.13 mm.

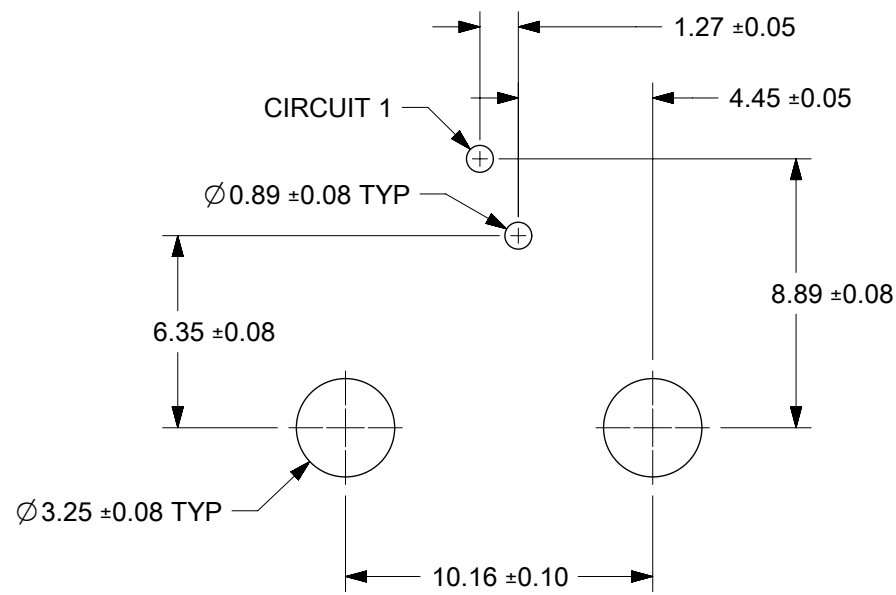
FUNCTIONAL SYMBOLS	THIS DRAWING CONTAINS INFORMATION THAT IS PROPRIETARY TO MOLEX ELECTRONIC TECHNOLOGIES, LLC AND SHOULD NOT BE USED WITHOUT WRITTEN PERMISSION		CURRENT REV DESC: MIGRATED TO NX										
	FUNCTIONAL SYMBOLS	THIS DRAWING CONTAINS INFORMATION THAT IS PROPRIETARY TO MOLEX ELECTRONIC TECHNOLOGIES, LLC AND SHOULD NOT BE USED WITHOUT WRITTEN PERMISSION						EC NO: 705669 DRWN: KKUMARB 2020/07/07 CHK'D: KLANG 2022/05/23 APPR: KLANG 2022/05/23					
	FUNCTIONAL SYMBOLS	THIS DRAWING CONTAINS INFORMATION THAT IS PROPRIETARY TO MOLEX ELECTRONIC TECHNOLOGIES, LLC AND SHOULD NOT BE USED WITHOUT WRITTEN PERMISSION									INITIAL REVISION: DRWN: RFC_PLMIMP 2020/08/19 APPR: REDGLE Y 2000/08/11		
	FUNCTIONAL SYMBOLS	THIS DRAWING CONTAINS INFORMATION THAT IS PROPRIETARY TO MOLEX ELECTRONIC TECHNOLOGIES, LLC AND SHOULD NOT BE USED WITHOUT WRITTEN PERMISSION											
FUNCTIONAL SYMBOLS	THIS DRAWING CONTAINS INFORMATION THAT IS PROPRIETARY TO MOLEX ELECTRONIC TECHNOLOGIES, LLC AND SHOULD NOT BE USED WITHOUT WRITTEN PERMISSION	DRAFT WHERE APPLICABLE MUST REMAIN WITHIN DIMENSIONS THIRD ANGLE PROJECTION DRAWING: A3-SIZE SERIES: 43249 MATERIAL NUMBER: SEE SHEET 4 CUSTOMER: GENERAL MARKET SHEET NUMBER: 5 OF 6											
FUNCTIONAL SYMBOLS	THIS DRAWING CONTAINS INFORMATION THAT IS PROPRIETARY TO MOLEX ELECTRONIC TECHNOLOGIES, LLC AND SHOULD NOT BE USED WITHOUT WRITTEN PERMISSION				DIVISIONAL SYMBOLS								
FUNCTIONAL SYMBOLS	THIS DRAWING CONTAINS INFORMATION THAT IS PROPRIETARY TO MOLEX ELECTRONIC TECHNOLOGIES, LLC AND SHOULD NOT BE USED WITHOUT WRITTEN PERMISSION							GENERAL TOLERANCES (UNLESS SPECIFIED) ANGULAR TOL ± 0.5° 4 PLACES ± 3 PLACES ± 2 PLACES ± 0.25 1 PLACE ± 0 PLACES ±					
FUNCTIONAL SYMBOLS	THIS DRAWING CONTAINS INFORMATION THAT IS PROPRIETARY TO MOLEX ELECTRONIC TECHNOLOGIES, LLC AND SHOULD NOT BE USED WITHOUT WRITTEN PERMISSION										DIMENSION UNITS: mm SCALE: 4:1		
FUNCTIONAL SYMBOLS	THIS DRAWING CONTAINS INFORMATION THAT IS PROPRIETARY TO MOLEX ELECTRONIC TECHNOLOGIES, LLC AND SHOULD NOT BE USED WITHOUT WRITTEN PERMISSION	DIVISIONAL SYMBOLS											



PC BOARD LAYOUT FOR SIZE 6, 6 CIRCUIT
(COMPONENT SIDE OF BOARD)



PC BOARD LAYOUT FOR SIZE 6, 4 CIRCUIT
(COMPONENT SIDE OF BOARD)



PC BOARD LAYOUT FOR SIZE 6, 2 CIRCUIT
(COMPONENT SIDE OF BOARD)

NOTES:
1. RECOMMENDED PCB THICKNESS: 1.57±0.13 mm.

FUNCTIONAL SYMBOLS	THIS DRAWING CONTAINS INFORMATION THAT IS PROPRIETARY TO MOLEX ELECTRONIC TECHNOLOGIES, LLC AND SHOULD NOT BE USED WITHOUT WRITTEN PERMISSION		CURRENT REV DESC: MIGRATED TO NX			molex		
	△/A = 0	mm						
DIVISIONAL SYMBOLS	GENERAL TOLERANCES (UNLESS SPECIFIED)		EC NO: 705669			LOW PROFILE RIGHT ANGLE MODULAR JACK ASSEMBLY		
	△/E = 0	ANGULAR TOL ± 0.5°	DRWN: KKUMARB 2020/07/07			PRODUCT CUSTOMER DRAWING		
DIVISIONAL SYMBOLS	△/F = 0	4 PLACES ±	CHK'D: KLANG 2022/05/23			DOCUMENT NUMBER		
	△/G = 0	3 PLACES ±	APPR: KLANG 2022/05/23			SDA-43249		
	△/H = 0	2 PLACES ± 0.25	INITIAL REVISION:			DOC TYPE DOC PART REVISION		
	△/I = 0	1 PLACE ±	DRWN: RFC_PLMIMP 2020/08/19			PSD 001 K3		
	0 PLACES ±	APPR: REDGLEYP 2000/08/11			SHEET NUMBER			
DRAFT WHERE APPLICABLE MUST REMAIN WITHIN DIMENSIONS		THIRD ANGLE PROJECTION	DRAWING	SERIES	MATERIAL NUMBER	CUSTOMER	SHEET NUMBER	
			A3-SIZE	43249	SEE SHEET 4	GENERAL MARKET	6 OF 6	