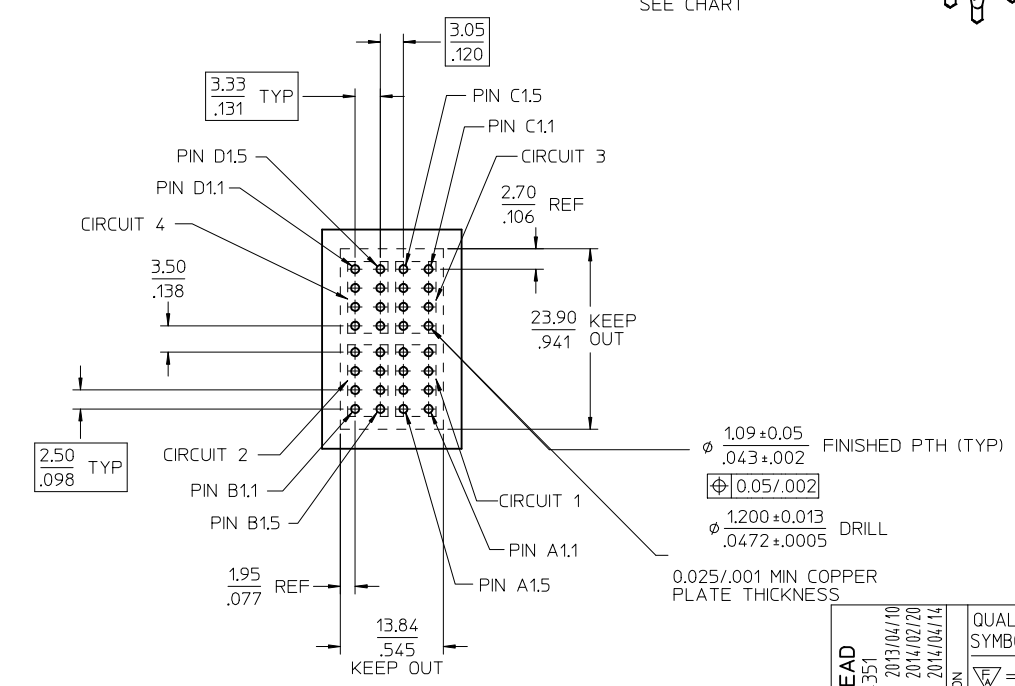
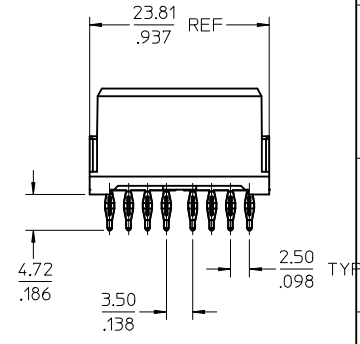
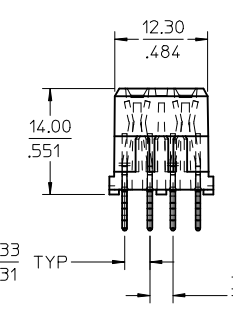
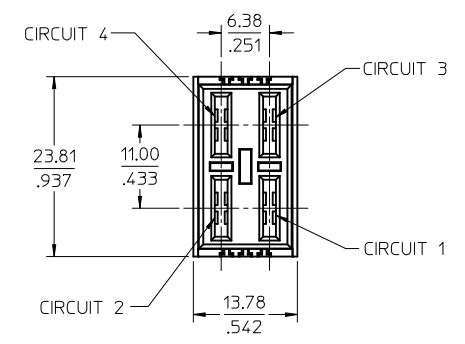
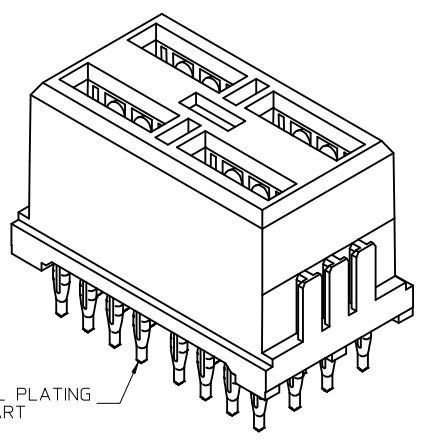
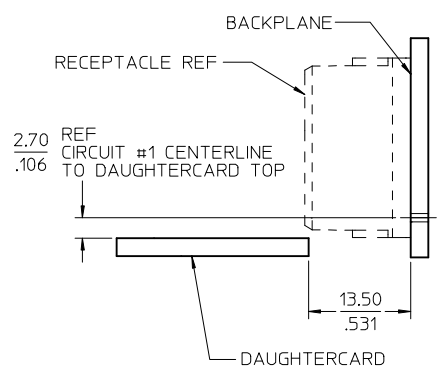


13	12	11	10	9	8	7	6	5	4	3	2	1
PART NUMBER	TAIL PLATING	TAIL VERSION	PLATING									
46079-1000	TIN	PRESS FIT	0.75µm/30µm MIN SELECT HARD GOLD IN CONTACT AREA WITH 2.50µm/100µm MIN SELECT TIN IN TAIL AREA OVER 1.25µm/50µm MIN NICKEL OVERALL									

NOTES:

- MATERIALS:
 - HOUSING: 30% GLASS FILLED, LCP 94V-0, COLOR BLACK
 - TERMINALS: COPPER ALLOY
 PLATING:
 - SEE CHART
 LUBRICATION: EB1 IN CONTACT AREA
- PLUG MATES WITH PLUG ASSEMBLY 46081-****
- MODULE IS DESIGNED FOR PRESS FIT TO THE PCB
- MODULE ASSEMBLY IS RoHS COMPLIANT
- MODULES TO BE UL & CSA LISTED PER UL-1977
- AVERAGE INSERTION FORCE INTO PCB IS 8.2 kg/18 lbs PER TAIL
- PRODUCT PERFORMANCE AND RATING PER PS-75431-****
- APPLICATION SPEC PER AS-75541-****
- RECOMMENDED PCB DRILL HOLE DIA 1.180/0.0465 (#56 DRILL)
- FOR MODULE CONFIGURATION SEE DRAWING SD-75541-001



PCB LAYOUT
2.40/.094 MIN THICK

REV	DESCRIPTION	QUALITY SYMBOLS
1	REMOVE TIN/LEAD EC NO: UCP2013-4351 DRWN:RHIPPLE 2013/04/10 CHKD:BANDURA 2014/02/20 APPR:SMILLER 2014/04/14	▽=0 ▽=0 ▽=0

GENERAL TOLERANCES (UNLESS SPECIFIED)	
	mm INCH
4 PLACES	± --- ± ---
3 PLACES	± --- ± .008
2 PLACES	± 0.20 ± .013
1 PLACE	± 0.33 ± ---
0 PLACE	± ±
ANGULAR ±1/2°	
DRAFT WHERE APPLICABLE MUST REMAIN WITHIN DIMENSIONS	

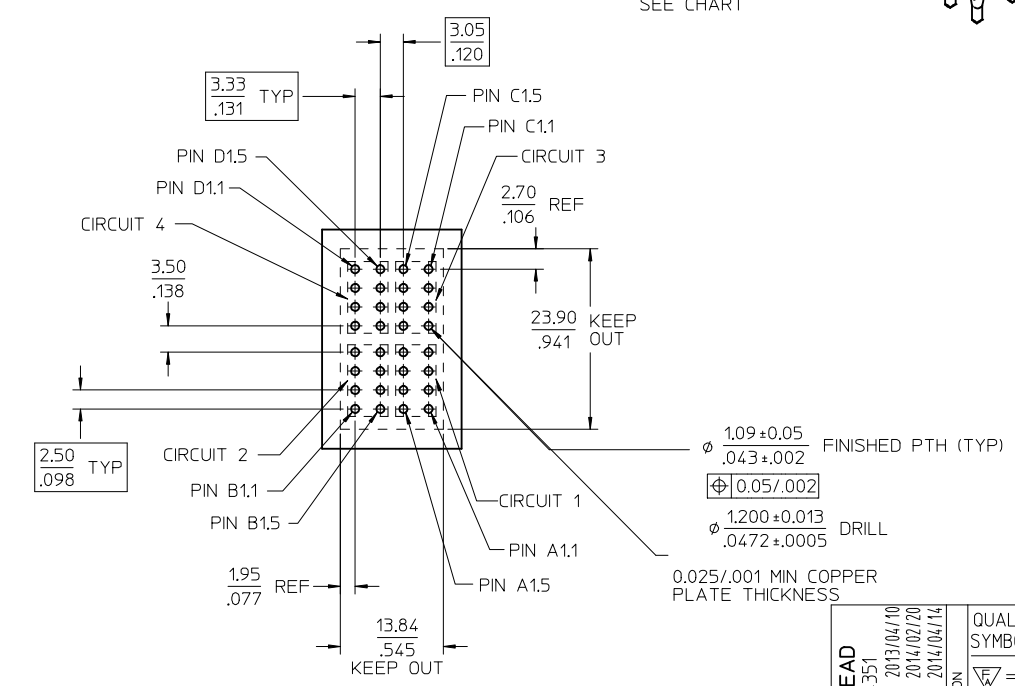
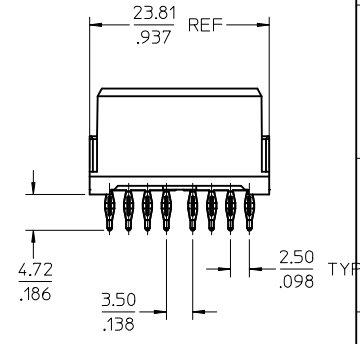
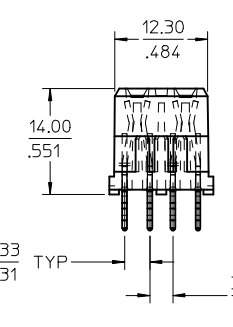
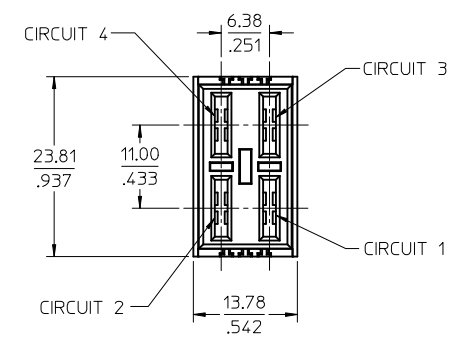
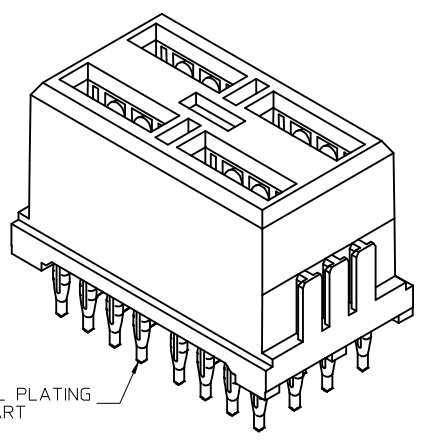
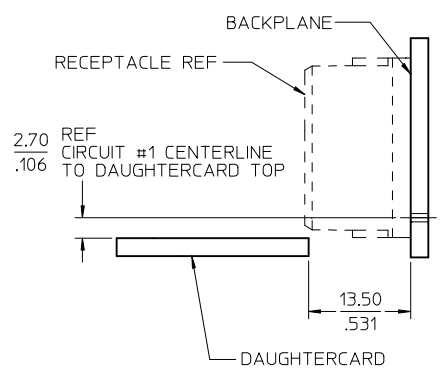
DIMENSION STYLE	
MM/IN	
DRAWN BY	DATE
JQUILES	2005/08/01
CHECKED BY	DATE
MDATA	2005/08/04
APPROVED BY	DATE
APATEL	2005/08/05
MATERIAL NO.	
SEE CHART	

SCALE	DESIGN UNITS	THIRD ANGLE PROJECTION
2:1	METRIC	
TITLE		
ASSEMBLY - RECEPTACLE 4 CIRCUIT MULTI PATH		
molex		
DOCUMENT NO.	SHEET NO.	
SD-46079-100	1 OF 1	
THIS DRAWING CONTAINS INFORMATION THAT IS PROPRIETARY TO MOLEX INCORPORATED AND SHOULD NOT BE USED WITHOUT WRITTEN PERMISSION		

13	12	11	10	9	8	7	6	5	4	3	2	1
PART NUMBER	TAIL PLATING	TAIL VERSION	PLATING									
46079-1000	TIN	PRESS FIT	0.75µm/30µm MIN SELECT HARD GOLD IN CONTACT AREA WITH 2.50µm/100µm MIN SELECT TIN IN TAIL AREA OVER 1.25µm/50µm MIN NICKEL OVERALL									

NOTES:

- MATERIALS:
 - HOUSING: 30% GLASS FILLED, LCP 94V-0, COLOR BLACK
 - TERMINALS: COPPER ALLOY
 PLATING:
 - SEE CHART
 LUBRICATION: EB1 IN CONTACT AREA
- PLUG MATES WITH PLUG ASSEMBLY 46081-****
- MODULE IS DESIGNED FOR PRESS FIT TO THE PCB
- MODULE ASSEMBLY IS RoHS COMPLIANT
- MODULES TO BE UL & CSA LISTED PER UL-1977
- AVERAGE INSERTION FORCE INTO PCB IS 8.2 kg/18 lbs PER TAIL
- PRODUCT PERFORMANCE AND RATING PER PS-75431-****
- APPLICATION SPEC PER AS-75541-****
- RECOMMENDED PCB DRILL HOLE DIA 1.180/0.0465 (#56 DRILL)
- FOR MODULE CONFIGURATION SEE DRAWING SD-75541-001



PCB LAYOUT
2.40/.094 MIN THICK

REV	DESCRIPTION	QUALITY SYMBOLS
1	REMOVE TIN/LEAD EC NO: UCP2013-4351 DRWN:RHIPPLE 2013/04/10 CHKD:BANDURA 2014/02/20 APPR:SMILLER 2014/04/14	▽=0 ▽=0 ▽=0

GENERAL TOLERANCES (UNLESS SPECIFIED)	
	mm INCH
4 PLACES	± --- ± ---
3 PLACES	± --- ± .008
2 PLACES	± 0.20 ± .013
1 PLACE	± 0.33 ± ---
0 PLACE	± ±
ANGULAR ±1/2°	
DRAFT WHERE APPLICABLE MUST REMAIN WITHIN DIMENSIONS	

DIMENSION STYLE		SCALE	DESIGN UNITS	THIRD ANGLE PROJECTION
MM/IN		2:1	METRIC	☉
DRAWN BY	DATE	TITLE		
JQUILES	2005/08/01	ASSEMBLY - RECEPTACLE		
CHECKED BY	DATE	4 CIRCUIT		
MDATA	2005/08/04	MULTI PATH		
APPROVED BY	DATE	molex		
APATEL	2005/08/05			
MATERIAL NO.		DOCUMENT NO.		SHEET NO.
SEE CHART		SD-46079-100		1 OF 1
THIS DRAWING CONTAINS INFORMATION THAT IS PROPRIETARY TO MOLEX INCORPORATED AND SHOULD NOT BE USED WITHOUT WRITTEN PERMISSION				