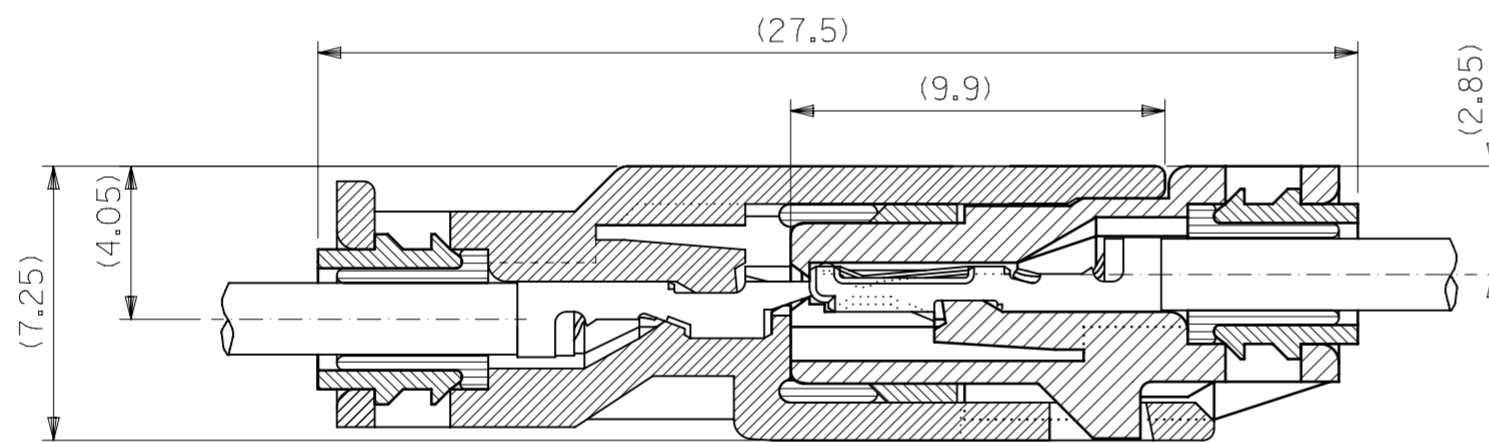
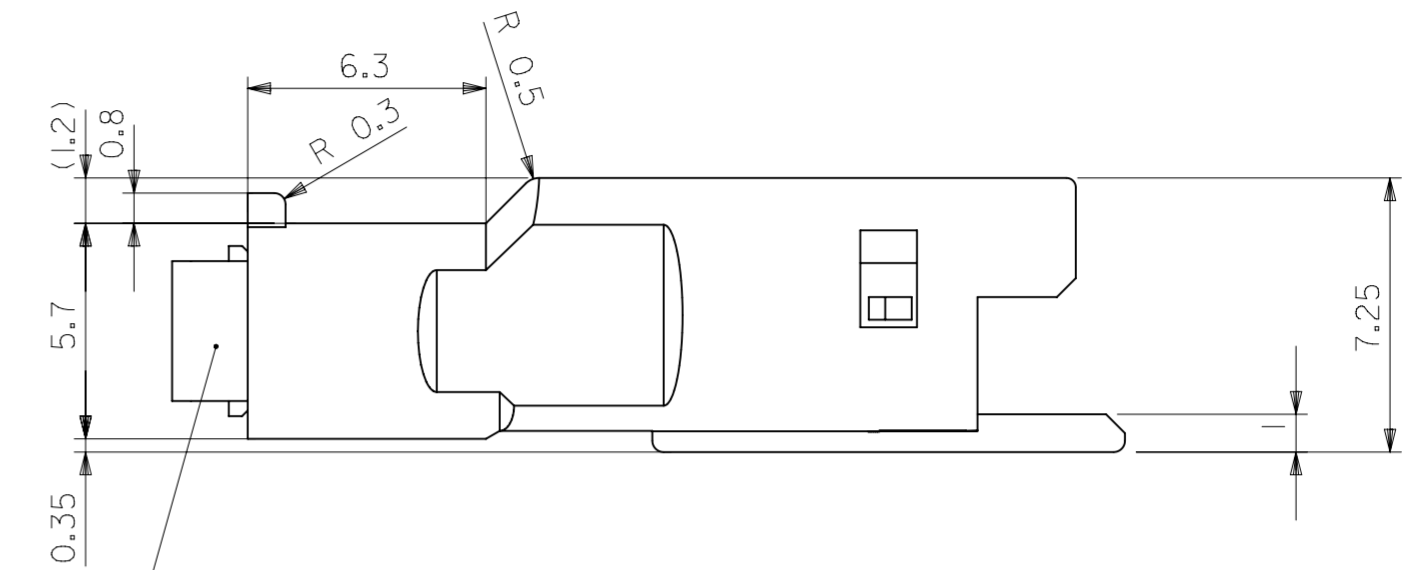
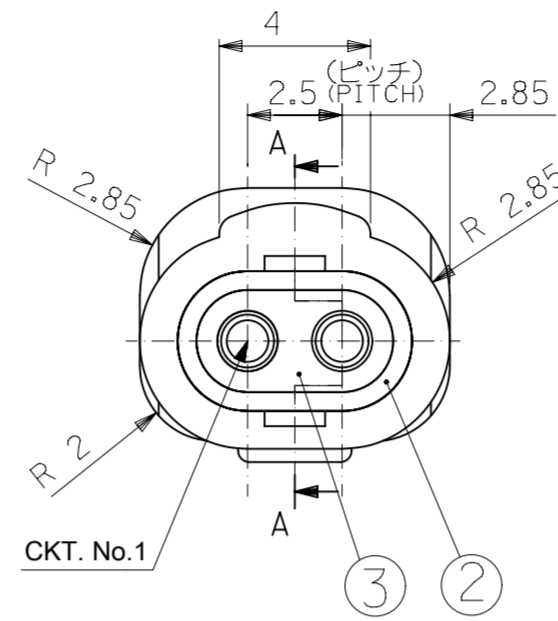
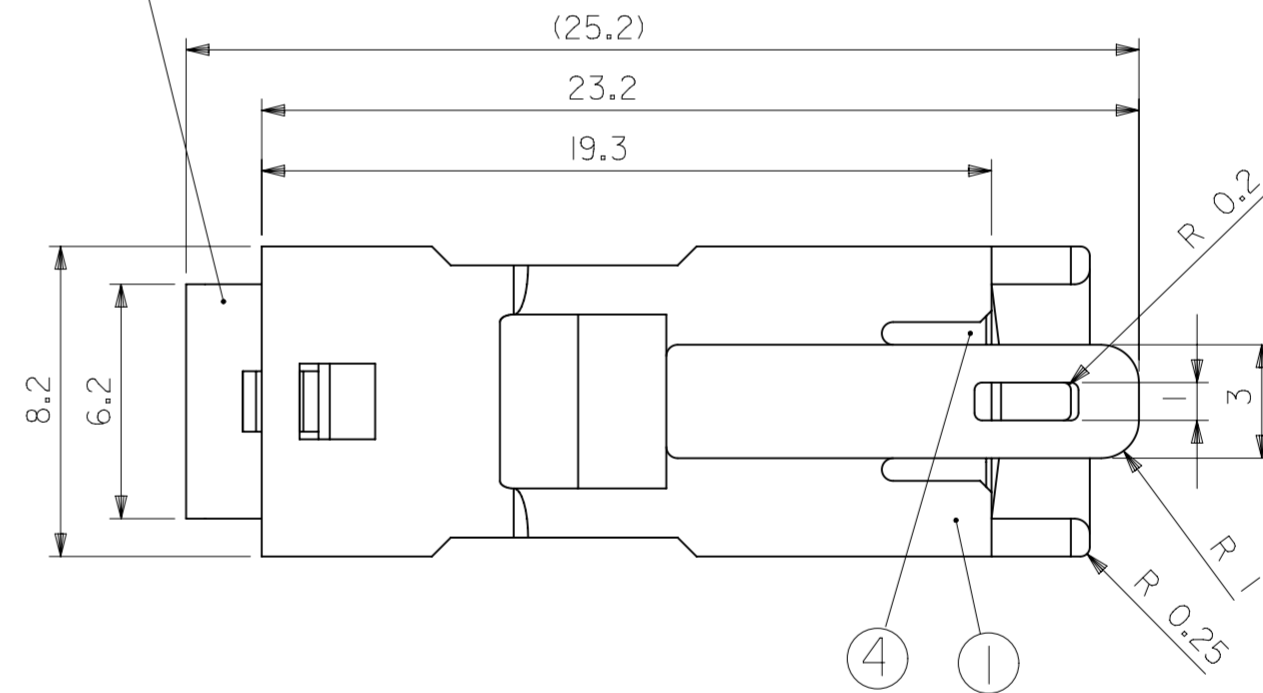


断面A-A (端子装着状態図)
SECT.A-A (TERM.ASSEMBLY DRAWING)



嵌合状態図
FULLY MATED CONDITION



注記
NOTE

- 適合端子 : 50147-8*00
APPLICABLE TERMINAL : 50147-8*00
- 嵌合相手 : 52213-021*
MATES WITH : 52213-021*
- 製品仕様書 : PS-52213-003
PRODUCT SPECIFICATION : PS-52213-003
- 取扱説明書 : AS-52213-001
APPLICATION SPECIFICATION : AS-52213-001

黒 BLACK	52266-0211	2
ハウジングの色 HSG COLOR	製品番号 MATERIAL NO.	極数 No. OF CKT.

THIS DRAWING CONTAINS INFORMATION THAT IS PROPRIETARY TO MOLEX ELECTRONIC TECHNOLOGIES, LLC AND SHOULD NOT BE USED WITHOUT WRITTEN PERMISSION

DIMENSION UNITS mm	SCALE 5:1	CURRENT REV DESC:	molex			
GENERAL TOLERANCES (UNLESS SPECIFIED)	GENERAL TOLERANCES (UNLESS SPECIFIED)	EC NO: 174283 DRWN: RHORI 2018/03/27 CHK'D: HKOMATSU 2018/03/29 APPR: TOSADA 2018/03/29				
10 UNDER ±0.2	ANGULAR TOL ± 3.0°	INITIAL REVISION:	DOCUMENT NUMBER	DOC TYPE	DOC PART	REVISION
10 OVER 30 UNDER ±0.25	4 PLACES ± 0.2	DRWN: SINAKA 2011/11/28	SD-52266-003	PSD	001	F2
30 OVER ±0.3	3 PLACES ± 0.25	APPR: MAYAMAMOTO 2011/12/02	MATERIAL NUMBER	CUSTOMER	SHEET NUMBER	
ANGULAR ±3°	2 PLACES ± 0.3	DRAFT WHERE APPLICABLE MUST REMAIN WITHIN DIMENSIONS	SEE CHART	GENERAL MARKET	1 OF 1	
INITIAL REVISION:	1 PLACE ±	THIRD ANGLE PROJECTION	A2-SIZE		52266	
DRWN Y.ASHIZAWA 1990/04/29	0 PLACES ±	DRAWING	SERIES		52266	
CHECK M.SAKANO 1994/03/02						
APPR M.ENOMOTO 1994/03/02						

2.5 MINI WATERPROOF CONN PLUG HSG ASSY (2 CKT.)		
PRODUCT CUSTOMER DRAWING		
DOCUMENT NUMBER	DOC TYPE	DOC PART
SD-52266-003	PSD	001
MATERIAL NUMBER	CUSTOMER	SHEET NUMBER
SEE CHART	GENERAL MARKET	1 OF 1

材料 MATERIAL	色 COLOR	名称 TITLE	
シリコンゴム SILICONE	黄 YELLOW	SEAL	⑤
ポリエステル (15%G.F.) POLYESTER (15%G.F.)	黒 BLACK	SEAL STOPPER	④
シリコンゴム SILICONE	黄 YELLOW	WIRE END SEAL	③
ポリエステル (15%G.F.) POLYESTER (15%G.F.)	黒 BLACK	CAP	②
ポリエステル (15%G.F.) POLYESTER (15%G.F.)	表参照 SEE CHART	PLUG HOUSING	①

構成部品
COMPONENTS

DOCUMENT STATUS	P1	RELEASE DATE	2018/03/29	11:20:55
-----------------	----	--------------	------------	----------