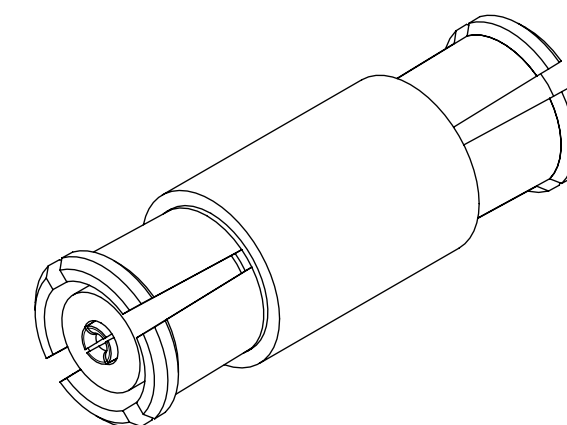


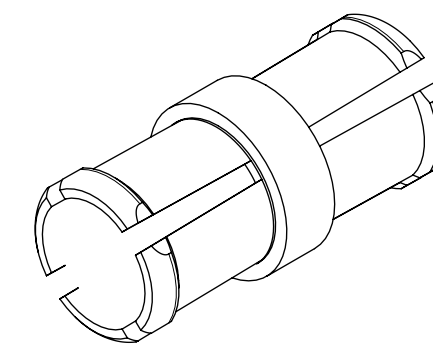
**MATERIALS AND FINISHES:**

BODY, CONTACT: BERYLLIUM COPPER  
PLATING: SEE TABLE

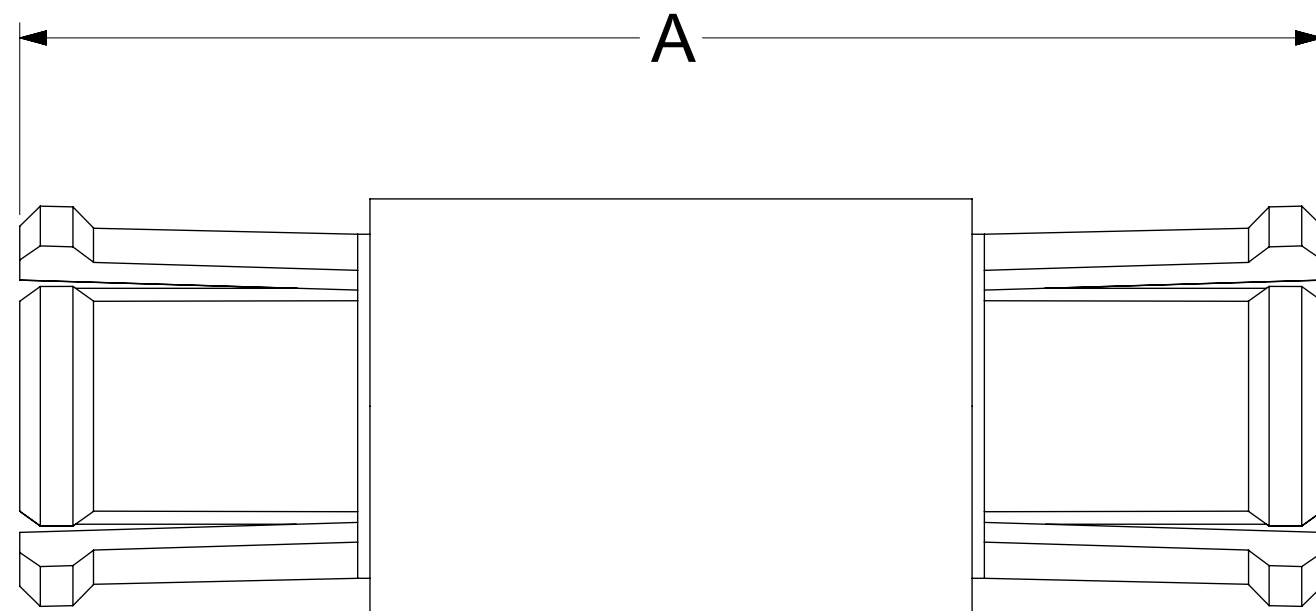
INSULATORS: PTFE



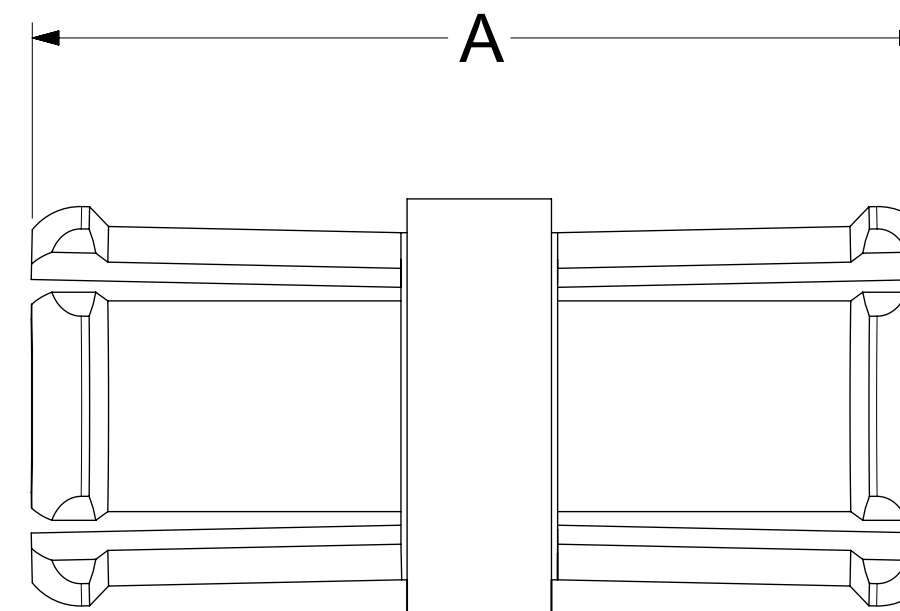
VIEW FOR 73406-6400 THRU -6409  
& -6413 THRU -6418



VIEW FOR 73406-6410 THRU -6412  
& -6419 & -6420



VIEW FOR 73406-6400 THRU -6409 & -6413 THRU -6418



VIEW FOR 73406-6410 THRU -6412 & -6419 & -6420

PART NO.	IN	MM	PLATING	DESCRIPTION	PACKAGING SPEC	PART NO.	
73406-6420	.414±.002	10.52±0.05	GOLD (30μ-in MIN) OVER NICKEL (100μ-in MIN)	73406-6411 ONE PER BAG	895420470	73406-6420	
73406-6419	.291±.002	7.39±0.05		73406-6410 ONE PER BAG		73406-6419	
73406-6418	.806±.002	20.47±0.05		73406-6406 ONE PER BAG		73406-6418	
73406-6417	.474±.002	12.04±0.05		73406-6405 ONE PER BAG		73406-6417	
73406-6416	.882±.002	22.40±0.05	GOLD (10μ-in MIN) OVER NICKEL (100μ-in MIN)	73406-6404 ONE PER BAG	895420470	73406-6416	
73406-6415	.449±.002	11.40±0.05		73406-6403 ONE PER BAG		73406-6415	
73406-6414	.606±.002	15.40±0.05	GOLD (30μ-in MIN) OVER NICKEL (100μ-in MIN)	73406-6402 ONE PER BAG	895420470	73406-6414	
73406-6413	.425±.002	10.77±0.05		73406-6400 ONE PER BAG		73406-6413	
73406-6412	1.051±.002	26.70±0.05		73406-6412 TRAY		PK-89542-006	73406-6412
73406-6411	.414±.002	10.52±0.05		73406-6411 TRAY		895420490	73406-6411
73406-6410	.291±.002	7.39±0.05	GOLD (30μ-in MIN) OVER NICKEL (100μ-in MIN)	73406-6410 TRAY	895420048	73406-6410	
73406-6409	.497±.002	12.63±0.05		73406-6409 TRAY	895420040	73406-6409	
73406-6408	1.033±.002	26.25±0.05		73406-6408 TRAY	PK-89542-006	73406-6408	
73406-6407	1.001±.002	25.43±0.05		73406-6407 TRAY		73406-6407	
73406-6406	.806±.002	20.47±0.05	GOLD (10μ-in MIN) OVER NICKEL (100μ-in MIN)	73406-6406 TRAY	895420040	73406-6406	
73406-6405	.474±.002	12.04±0.05		73406-6405 TRAY		895420040	73406-6405
73406-6404	.882±.002	22.40±0.05		73406-6404 TRAY		PK-89542-006	73406-6404
73406-6403	.449±.002	11.40±0.05		73406-6403 TRAY		895420040	73406-6403
73406-6402	.606±.002	15.40±0.05	73406-6402 TRAY	73406-6402			
73406-6401	.488±.002	12.40±0.05	73406-6401 TRAY	73406-6401			
73406-6400	.425±.002	10.77±0.05	GOLD (30μ-in MIN) OVER NICKEL (100μ-in MIN)	73406-6400 TRAY		73406-6400	

LABEL FORMAT FOR  
73406-6415  
  
PART NUMBER: 73406-6403  
ORDER NUMBER: 73406-6415  
MOLEX  
DATE: YYWW

LABEL FORMAT FOR  
73406-6418  
  
PART NUMBER: 73406-6406  
ORDER NUMBER: 73406-6418  
MOLEX  
DATE: YYWW

LABEL FORMAT FOR  
73406-6414  
  
PART NUMBER: 73406-6402  
ORDER NUMBER: 73406-6414  
MOLEX  
DATE: YYWW

LABEL FORMAT FOR  
73406-6417  
  
PART NUMBER: 73406-6405  
ORDER NUMBER: 73406-6417  
MOLEX  
DATE: YYWW

LABEL FORMAT FOR  
73406-6420  
  
PART NUMBER: 73406-6411  
ORDER NUMBER: 73406-6420  
MOLEX  
DATE: YYWW

LABEL FORMAT FOR  
73406-6413  
  
PART NUMBER: 73406-6400  
ORDER NUMBER: 73406-6413  
MOLEX  
DATE: YYWW

LABEL FORMAT FOR  
73406-6416  
  
PART NUMBER: 73406-6404  
ORDER NUMBER: 73406-6416  
MOLEX  
DATE: YYWW

LABEL FORMAT FOR  
73406-6419  
  
PART NUMBER: 73406-6410  
ORDER NUMBER: 73406-6419  
MOLEX  
DATE: YYWW

THIS DRAWING CONTAINS INFORMATION THAT IS PROPRIETARY TO MOLEX ELECTRONIC TECHNOLOGIES, LLC AND SHOULD NOT BE USED WITHOUT WRITTEN PERMISSION

DIMENSION UNITS <b>INCH/MM</b>	SCALE <b>NTS</b>	CURRENT REV DESC: CORRECT TYPO	
GENERAL TOLERANCES (UNLESS SPECIFIED)		EC NO: 725093 DRWN: RYEH 2022/10/18 CHK'D: YCHENG 2022/10/19 APPR: YCHENG 2022/10/19 INITIAL REVISION: DRWN: JLEE02 2008/06/25 APPR: JWIENER 2008/06/25	
	MM		
	INCH		
4 PLACES	±		±
3 PLACES	±		± 0.005
2 PLACES	± 0.13	± 0.01	
1 PLACE	± 0.25	±	
0 PLACES	±	±	
ANGULAR TOL	± 2.0°		
DRAFT WHERE APPLICABLE MUST REMAIN WITHIN DIMENSIONS	THIRD ANGLE PROJECTION	DRAWING C-SIZE	
		SERIES 73406	
DOCUMENT NUMBER <b>SD-73406-640</b>		DOC TYPE PSD	
DOC PART 001		REVISION A12	
MATERIAL NUMBER SEE TABLE		CUSTOMER	
SHEET NUMBER 1 OF 1			



SMP JACK TO JACK ADAPTER  
50 OHMS, SMP-J/J/ADP, EWR-12858

PRODUCT CUSTOMER DRAWING

PS-89675-3320	PRODUCT SPECIFICATION
MIL-STD-348B, FIG. 326.1	INTERFACE
SPECIFICATION	DESCRIPTION
DOCUMENT STATUS	P1
RELEASE DATE	2022/10/19 06:36:56