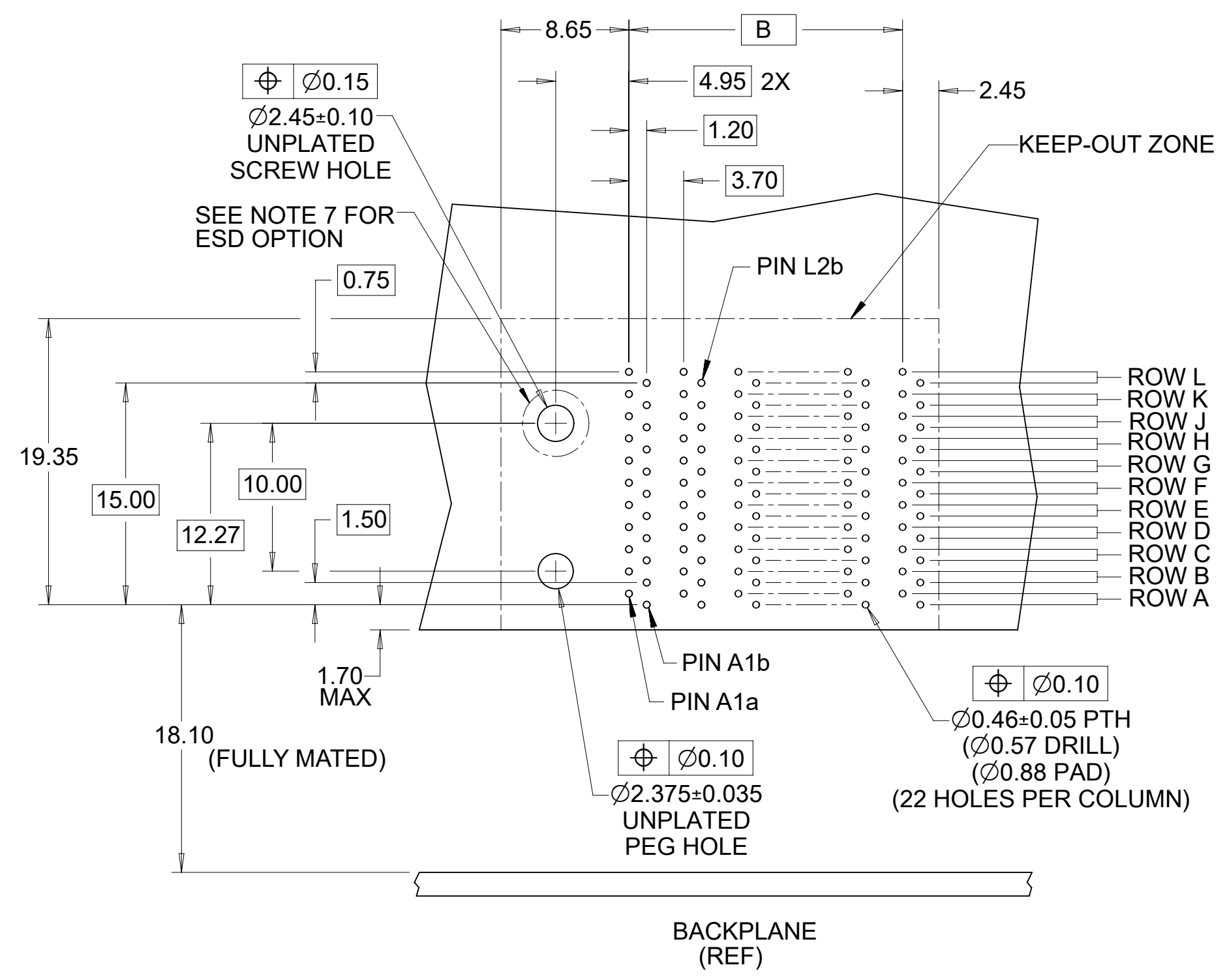
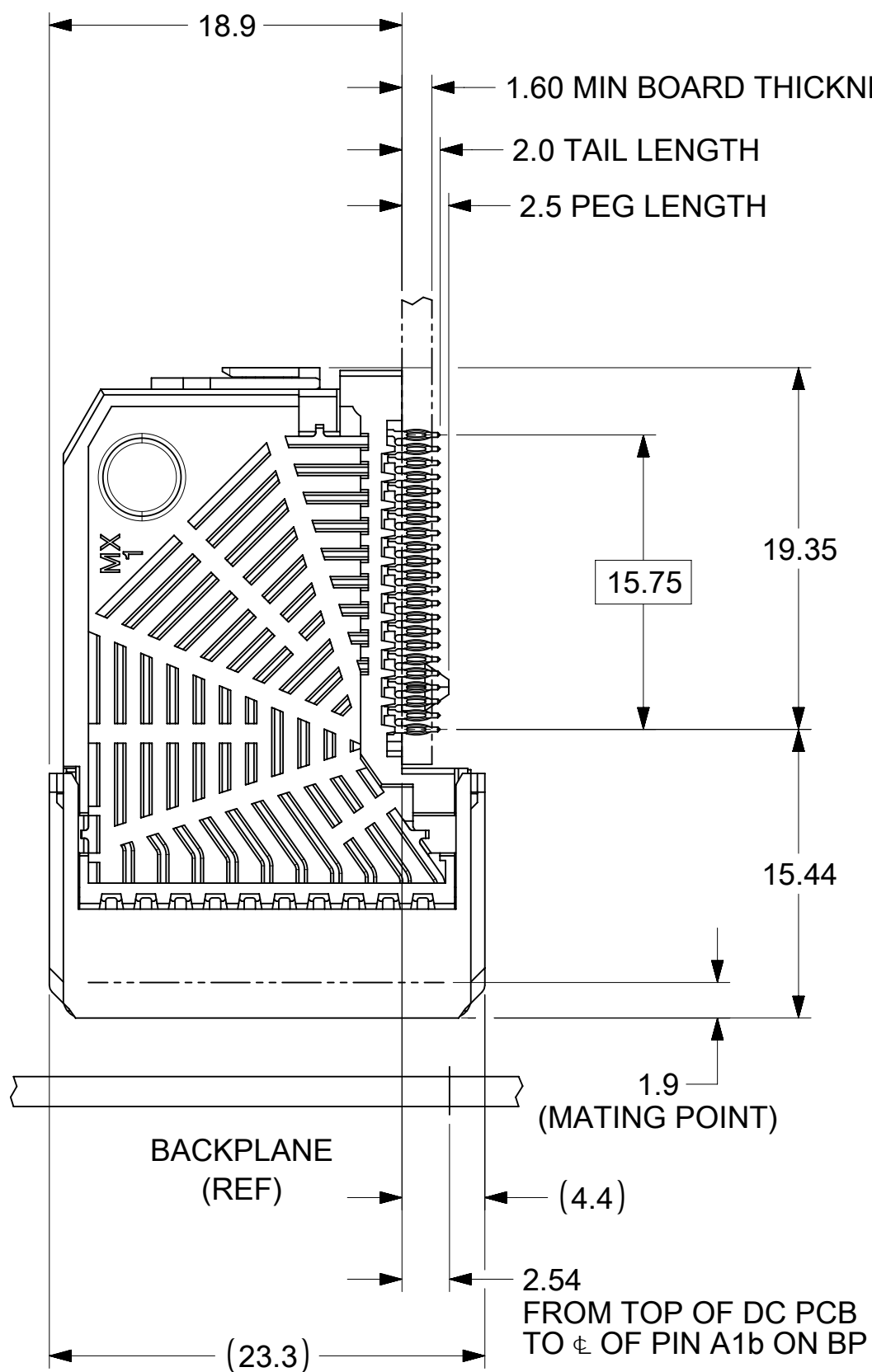


KEY SHOWN IN POSITION "A"



DAUGHTERCARD HOLE PATTERN (CONNECTOR SIDE)

- NOTES:
1. MATERIALS: HOUSING - LIQUID CRYSTAL POLYMER (LCP) GLASS-FILLED, UL94V-0
TERMINALS - HIGH PERFORMANCE COPPER ALLOY
 2. FINISH: SELECTIVE GOLD IN CONTACT AREA.
SELECTIVE MATTE TIN ON PCB TAILS. NICKEL OVERALL.
 3. REFER TO MOLEX PRODUCT SPECIFICATION PS-75710-999 FOR PERFORMANCE SPECS.
 4. PRODUCT IS PACKAGED PER PK-70873-609.
 5. THIS PART CONFORMS TO CLASS B REQUIREMENTS OF COSMETIC SPEC PS-45499-002.
 6. GUIDED PARTS TO BE SHIPPED WITH 2-32 TYPE AB
SELF-TAPPING SCREW P/N 73726-0000.
 7. FOR GROUNDED GUIDE MODULES USE DIA 2.45+/-0.10 (PTH), DIA 2.58 (DRILL),
AND DIA 4.50 (PAD).
 8. MAPS (MOLEX ADVANCED PLATING SYSTEM).

THIS DRAWING CONTAINS INFORMATION THAT IS PROPRIETARY TO MOLEX ELECTRONIC TECHNOLOGIES, LLC AND SHOULD NOT BE USED WITHOUT WRITTEN PERMISSION									
DIMENSION UNITS	SCALE	CURRENT REV DESC: REMASTERED TO NX							
mm	NTS								
GENERAL TOLERANCES (UNLESS SPECIFIED)									
ANGULAR TOL	± 0.5°	I-TRAC DAUGHTERCARD 11 ROW SIGNAL MODULE GUIDE LEFT SALES DWG							
4 PLACES	±	EC NO: 671119 DRWN: YOGEEB 2021/06/24 CHK'D: MMALLIGEVALU 2022/01/28 APPR: CWANG25 2022/02/18							
3 PLACES	±	PRODUCT CUSTOMER DRAWING							
2 PLACES	± 0.13	INITIAL REVISION:							
1 PLACE	± 0.25	DRWN: MCARRANZA 2006/06/19 APPR: JLAURX 2006/06/21							
0 PLACES	±	DOCUMENT NUMBER: SD-75710-002 DOC TYPE: PSD DOC PART: 001 REVISION: D1							
DRAFT WHERE APPLICABLE MUST REMAIN WITHIN DIMENSIONS		THIRD ANGLE PROJECTION	DRAWING	SERIES	MATERIAL NUMBER	CUSTOMER	SHEET NUMBER		
			C-SIZE	75710	SEE TABLE	GENERAL MARKET	1 OF 2		

MATERIAL NUMBER	# OF COLUMNS	DIM "A" MAX	DIM "B"
75710-***5	5	25.90	14.80
75710-***6	6	29.60	18.50
75710-***8	8	37.00	25.90
75710-***0	10	44.40	33.30

75710- * * * *

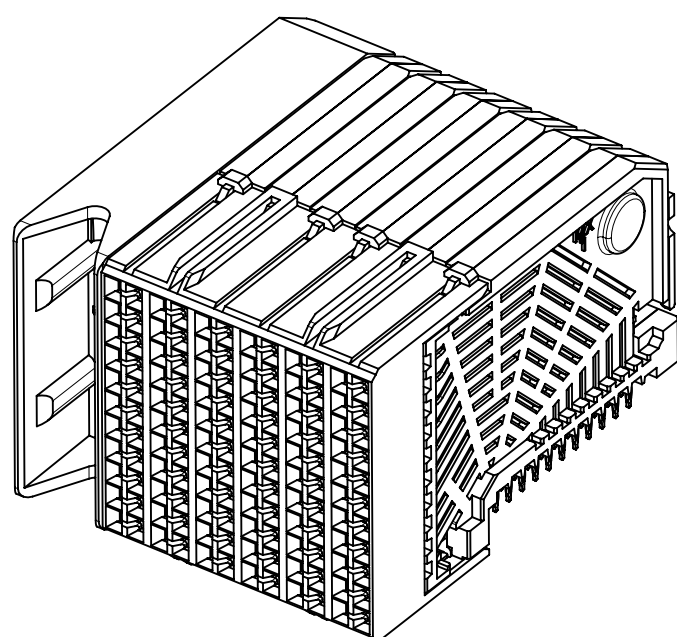
MODULE TYPE -- TAIL PLATING TYPE
 GUIDE LEFT -- MATTE TIN (FORMERLY TIN/LEAD)= 2
 GUIDE LEFT -- MATTE TIN = 3

POLARIZATION KEY ORIENTATION

0 = NO KEY
 1 = A 5 = E
 2 = B 6 = F
 3 = C 7 = G
 4 = D 8 = H

OF COLUMNS/PLATING

05 = 5 COL 30 GOLD
 06 = 6 COL 30 GOLD
 08 = 8 COL 30 GOLD
 10 = 10 COL 30 GOLD
 55 = 5 COL W/ESD 30 GOLD
 56 = 6 COL W/ESD 30 GOLD
 58 = 8 COL W/ESD 30 GOLD
 50 = 10 COL W/ESD 30 GOLD
 25 = 5 COL 10 GOLD (MAPS)
 26 = 6 COL 10 GOLD (MAPS)
 28 = 8 COL 10 GOLD (MAPS)
 20 = 10 COL 10 GOLD (MAPS)
 65 = 5 COL W/ESD 10 GOLD (MAPS)
 66 = 6 COL W/ESD 10 GOLD (MAPS)
 68 = 8 COL W/ESD 10 GOLD (MAPS)
 60 = 10 COL W/ESD 10 GOLD (MAPS)



THIS DRAWING CONTAINS INFORMATION THAT IS PROPRIETARY TO MOLEX ELECTRONIC TECHNOLOGIES, LLC AND SHOULD NOT BE USED WITHOUT WRITTEN PERMISSION

DIMENSION UNITS	SCALE	CURRENT REV DESC: REMASTERED TO NX		molex	
mm	NTS			I-TRAC DAUGHTERCARD 11 ROW SIGNAL MODULE GUIDE LEFT SALES DWG	
GENERAL TOLERANCES (UNLESS SPECIFIED)				PRODUCT CUSTOMER DRAWING	
ANGULAR TOL	± 0.5°	EC NO: 671119		DOCUMENT NUMBER	DOC TYPE DOC PART REVISION
4 PLACES	±	DRWN: YOGEEB	2021/06/24	SD-75710-002	PSD 001 D1
3 PLACES	±	CHK'D: MMALLIGEVALU	2022/01/28		
2 PLACES	± 0.13	APPR: CWANG25	2022/02/18	MATERIAL NUMBER CUSTOMER SHEET NUMBER	
1 PLACE	± 0.25	INITIAL REVISION:		SEE TABLE	GENERAL MARKET
0 PLACES	±	DRWN: MCARRANZA	2006/06/19		
DRAFT WHERE APPLICABLE MUST REMAIN WITHIN DIMENSIONS		APPR: JLAURX	2006/06/21		2 OF 2
		THIRD ANGLE PROJECTION	DRAWING	SERIES	
			C-SIZE	75710	