

6

5

4

3

2

1

E

E

D

D

C

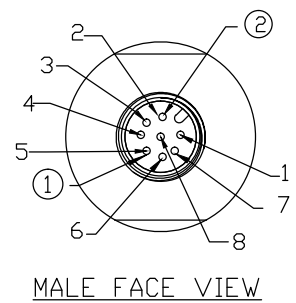
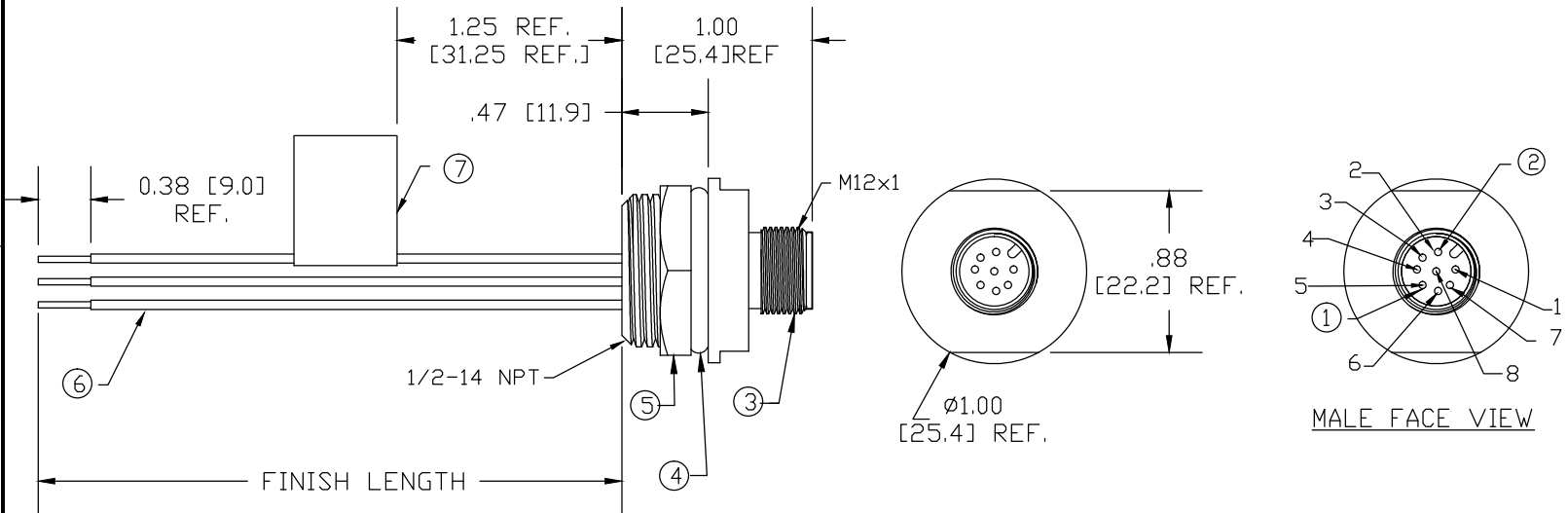
C

B

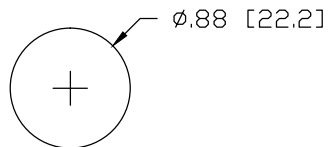
B

A

A



1	WHITE
2	BROWN
3	GREEN
4	YELLOW
5	GRAY
6	PINK
7	BKUE
8	RED



WIRING DIAGRAM

ITEM	COMPONENT	MATERIAL	FINISH
1	INSERT	PUR	BLACK
2	CONTACT PIN	COPPER ALLOY	GOLD OVER NICKEL
3	RECEPTACLE SHELL	STAINLESS STEEL	PASSIVATED
4	O-RING	NITRILE	BLACK
5	LOCKNUT	STEEL	ZINC PLATED
6	CONDUCTOR -22 AWG, 300 VOLTS	PVC	SEE WIRING DIAGRAM
7	FLAG LABEL	VINYL	CLEAR/YELLOW

VOLTAGE RATING	30VAC/36VDC
AMPERAGE RATING	2 AMPS
PROTECTION	IP67
OPERATING TEMPERATURE	-20°C TO 80°C

MATERIAL NUMBER	ENGINEERING PART NUMBER	FINISHED LENGTH
1200708148	8R8006E03M0051	1.64FT +1.75 -0.0 [0.5M +44.5 -0.0]

EC NO: WNA2011-0425 DRWN: TWOLDEGE 2011/02/07 CHKD: BRUPERT APPR: JFMURPHY 2011/05/06	QUALITY SYMBOLS ▽=0 ▽C=0	GENERAL TOLERANCES (UNLESS SPECIFIED)		DIMENSION STYLE		SCALE	DESIGN UNITS	THIRD ANGLE PROJECTION		
				---		1:1	INCH			
		4 PLACES	±--	±--	DRAWN BY	DATE	TITLE MICRO-CHANGE RECEPTACLE 8 POLE MALE 1/2-14 NPT SS 22AWG PVC			
		3 PLACES	±--	±--	TWOLDEGE	2011/02/07				
2 PLACES	±0.05	±--	CHECKED BY	DATE	MOLEX INCORPORATED					
1 PLACE	±0.1	±--	BRUPERT	2011/02/07						
ANGULAR ±--°			APPROVED BY	DATE	DOCUMENT NO.		SHEET NO. 1 OF 1			
DRAFT WHERE APPLICABLE MUST REMAIN WITHIN DIMENSIONS			JFMURPHY	2011/05/06	SD-120070-040					
			SEE CHART		THIS DRAWING CONTAINS INFORMATION THAT IS PROPRIETARY TO MOLEX INCORPORATED AND SHOULD NOT BE USED WITHOUT WRITTEN PERMISSION					