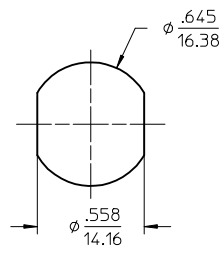
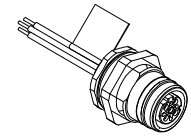
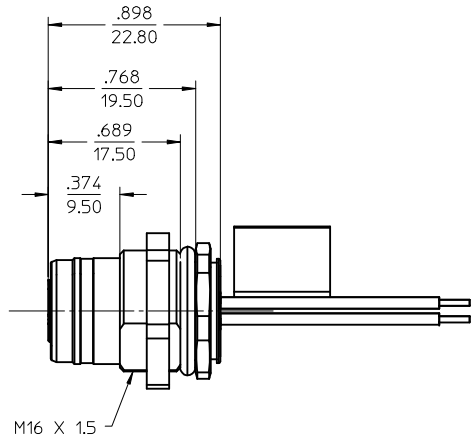
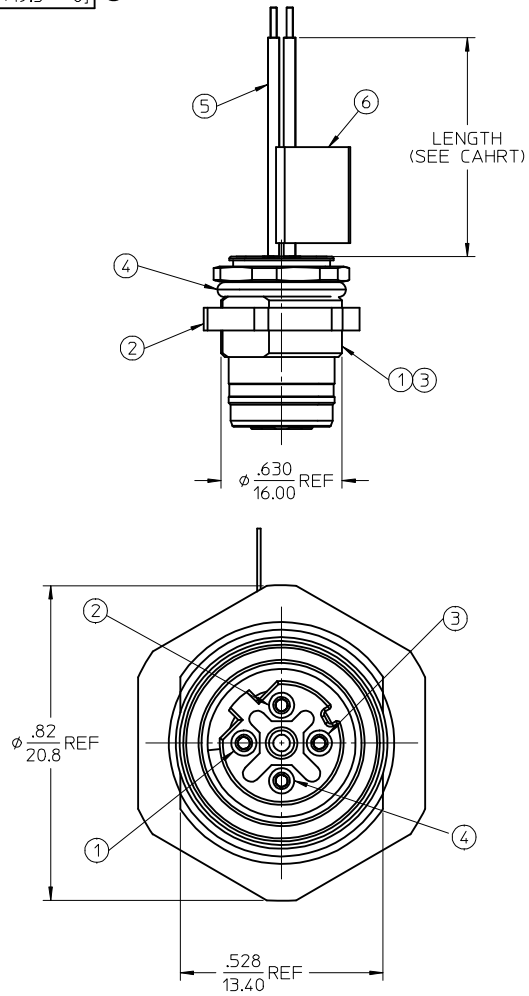


MATERIAL NUMBER	ENGINEERING NO.	LENGTH
1201095002	ERWAAU7000C050	1.97" +.25" - 0 [50MM +6.4 - 0]
1201098022	ERWAAU7000C200	7.87" +.75" - 0 [200MM +19.5 - 0]



PANEL CUT OUT



P1	Color
1	YELLOW
2	WHITE
3	ORANGE
4	BLUE

WIRING DIAGRAM

ERWAAU7000C050

LENGTH  
C050 = 50MM  
C200 = 200MM

- NOTES:
- 1) MATERIAL: SEE TABLE
  - 2) FINISHES: SEE TABLE
  - 4) MATES WITH: ULTRA LOCK M12 CORDSETS
  - 5) ELECTRICAL DATA:  
ACCORDING TO CAT5e ETHERNET STANDARD  
RECEPTACLE  
FEMALE D-CODING  
22AWG  
POLES: 4  
MAX. VOLTAGE: 250V  
MAX. CURRENT 4A  
PROTECTION IP67  
UL E200650
  - 6) PACKAGING:  
CABLE ASSEMBLIES ARE BAGGED SEPERATELY  
IN POLY BAGS WITH BAR CODE LABEL ATTACHED  
TO OUTSIDE OF BAG.
  - 7) ASSEMBLY IS RoHS COMPLIANT.

ITEM	QTY.	DESCRIPTION	MATERIAL	FINISH
6	1	LABEL	PLASTIC FILM	BLACK/YELLOW
5	4	22AWG LEADS	PVC	AS NOTED
4	1	O-RING	VITON	BLACK
3	4	CONDUCTORS, FEMALE	COPPER ALLOY	GOLD PLATED
2	1	LOCK NUT	STEEL	ZINC PLATED
1	1	4P RECEPTACLE ASSY	BRASS SHELL	BRIGHT NICKEL

ADD NEW PART NUMBER	DESCRIPTION	QUALITY SYMBOLS
EC NO: IPGZ018-0115	2017/08/14	▽=0
DRWN:NAKHTAR	2017/08/14	▽=0
CHKD:HZTELIN	2017/08/14	
APPR:WOODMAN	2017/08/18	

GENERAL TOLERANCES (UNLESS SPECIFIED)
4 PLACES ± --- ± ---
3 PLACES ± --- ± .010
2 PLACES ± 0.25 ± .020
1 PLACE ± 0.51 ± ---
ANGULAR ± 1 °

DIMENSION STYLE	SCALE	DESIGN UNITS	THIRD ANGLE PROJECTION
IN/MM	2:1	INCH	THIRD ANGLE PROJECTION

TITLE	DOCUMENT NO.	SHEET NO.
UL-M12-4P(D)-FE.REC	SD-120109-002	1 OF 1

THIS DRAWING CONTAINS INFORMATION THAT IS PROPRIETARY TO MOLEX INCORPORATED AND SHOULD NOT BE USED WITHOUT WRITTEN PERMISSION