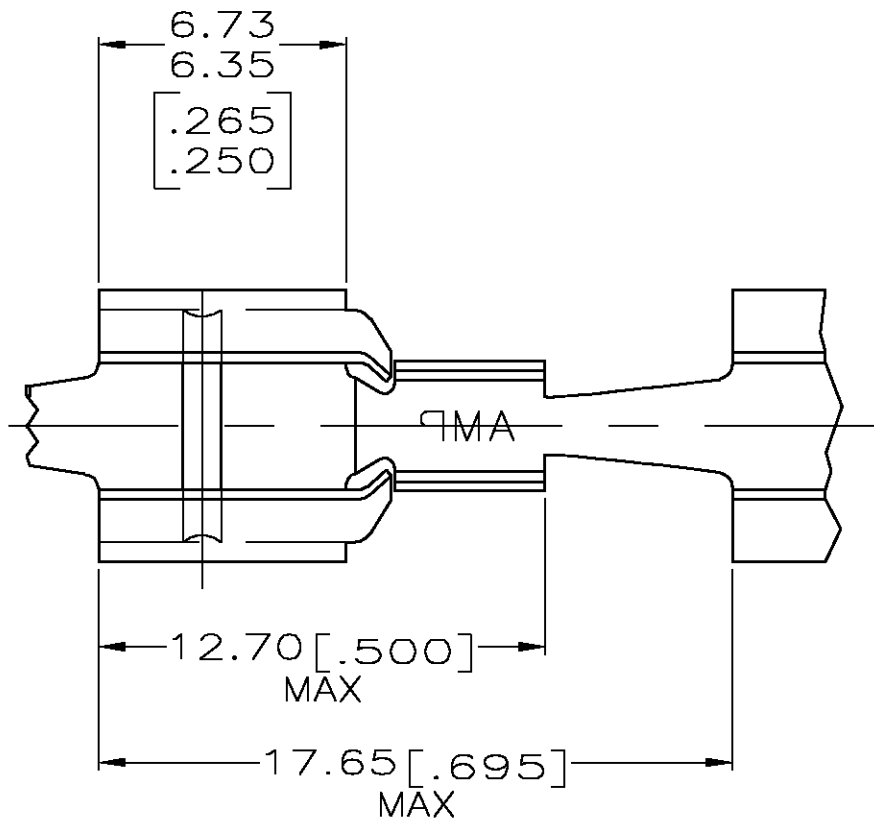
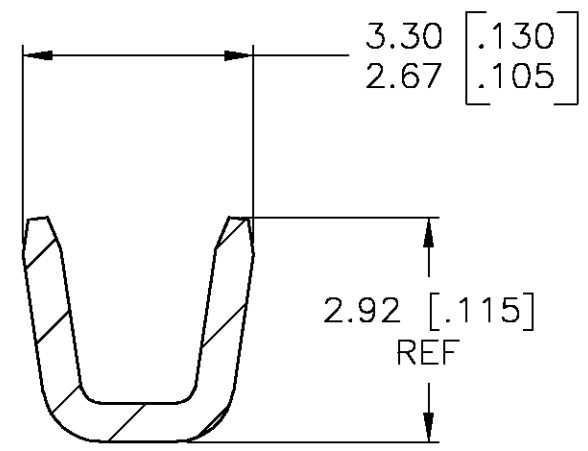
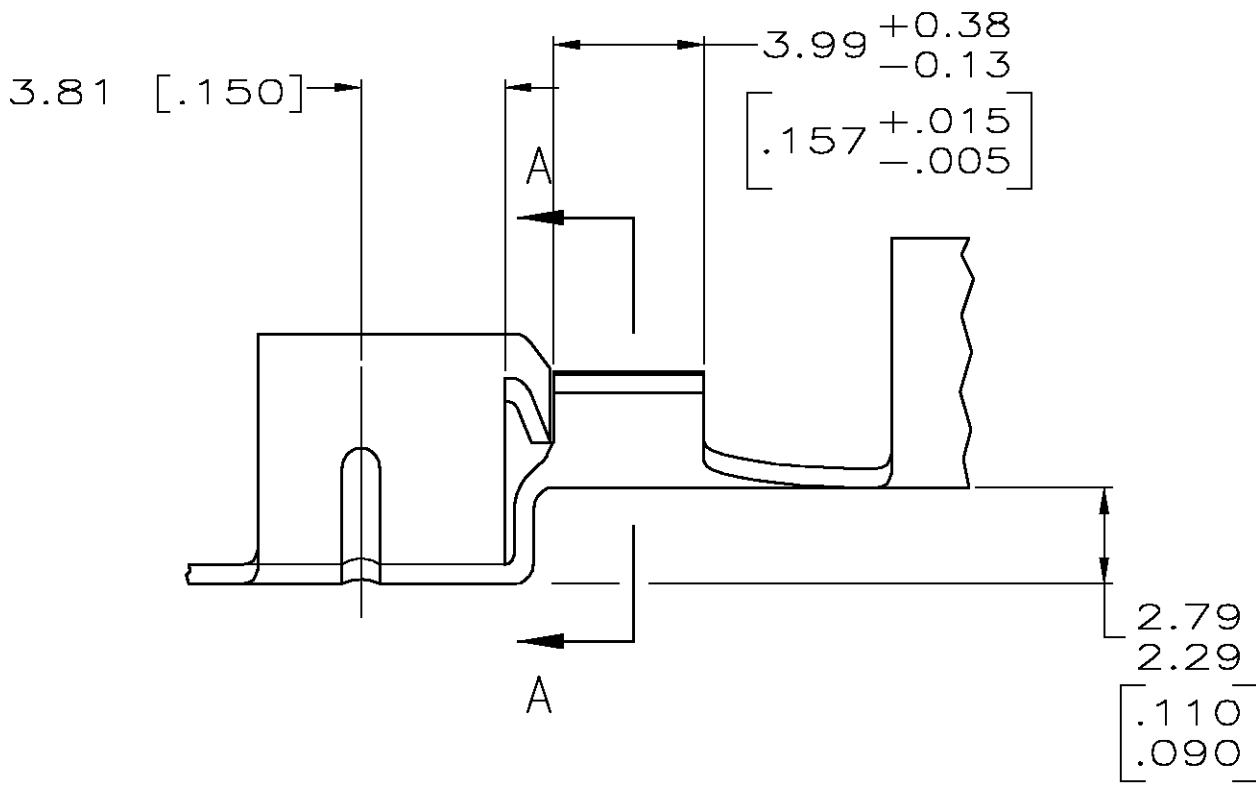


THIS DRAWING IS UNPUBLISHED. RELEASED FOR PUBLICATION
 © COPYRIGHT BY TYCO ELECTRONICS CORPORATION. ALL RIGHTS RESERVED.

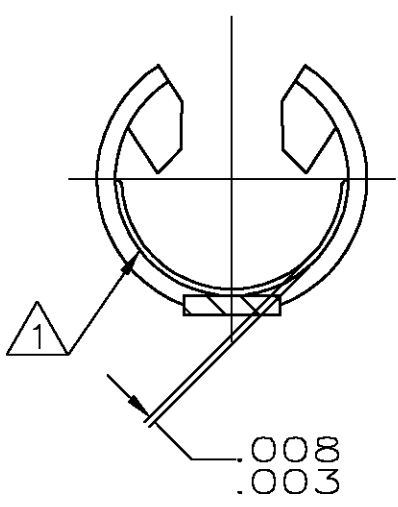
LOC	DIST	REVISIONS			
P	LTR	DESCRIPTION	DATE	DWN	APVD
AF	50	D	REV PER 0G3A-0399-04	07JUN04	JR GP



- 1. FITS ON 6.27-6.43 [.247-.253] DIAMETER PIN.
- 2. WIRE RANGE: 0.3 - 0.9 mm² [22 - 18 AWG]
REF CRIMP INFO: 2.54 [.100] WIDTH, F TYPE
- 3. DIMENSIONS IN BRACKETS ARE IN INCHES.



SECTION A-A
SCALE 10:1



1217881-1
PART NUMBER

THIS DRAWING IS A CONTROLLED DOCUMENT.		DWN JR RUTH 03OCT02	Tyco Electronics Corporation Harrisburg, PA 17105		
DIMENSIONS: MM [INCHES]		CHK G PORTA 03OCT02	NAME .250 FUSE RECEPTACLE		
TOLERANCES UNLESS OTHERWISE SPECIFIED:		APVD G PORTA 03OCT02	PRODUCT SPEC		
0 PLC ± - 1 PLC ± - 2 PLC ± 0.13 [.005] 3 PLC ± - 4 PLC ± - ANGLES ± 30°		APPLICATION SPEC		RESTRICTED TO	
MATERIAL 0.51 [.020] BRASS		FINISH -	WEIGHT -	SIZE A3	CAGE CODE 00779
CUSTOMER DRAWING			DRAWING NO C-1217881	SCALE 5:1	SHEET 1 OF 1
			REV D		