

Flush-type socket - SACC-DSI-FSY-8CON-M16/0,5 SCO - 1407618

Please be informed that the data shown in this PDF Document is generated from our Online Catalog. Please find the complete data in the user's documentation. Our General Terms of Use for Downloads are valid (<http://phoenixcontact.com/download>)



Flush-type socket, Universal CAT5 (IEC 11801:2002), 8-position, Socket, M12-SPEEDCON, Y - hybrid, Rear mounting, M16 x 1.5, Contacts with connected litz wires, cable length: 0.5 m

M12 panel feed-through, rear mounting

Your advantages

- ✓ Pre-assembled with litz wires for immediate use
- ✓ Customer-specific assemblies and litz wire lengths available
- ✓ All standard pin assignments and codings for signal, data, and power transmission with a uniform design-in design
- ✓ For high transmission safety: shield connection to the housing with optional EMC nut



Key Commercial Data

| | |
|--------------|---------------|
| Packing unit | 1 pc |
| GTIN | |
| GTIN | 4046356807913 |

Technical data

Dimensions

| | |
|-----------------|-------|
| Length of cable | 0.5 m |
|-----------------|-------|

Ambient conditions

| | |
|---------------------------------|---|
| Ambient temperature (operation) | -25 °C ... 85 °C |
| | -40 °C ... 85 °C (without mechanical actuation) |
| Degree of protection | IP67, when plugged in |

General

| | |
|-----------------------|--|
| Note | The electrical and mechanical data specified assume that the connector pair is correctly locked and mounted. If the connector is unlocked and if there is a danger of contamination, the connector must be sealed using a protective cap > IP54. Influences arising from litz wires, cables or PCB assembly must also be taken into consideration. |
| Rated current at 40°C | 6 A (Power) |

Flush-type socket - SACC-DSI-FSY-8CON-M16/0,5 SCO - 1407618

Technical data

General

| | |
|-----------------------------|------------------------------------|
| | 0.5 A (Data) |
| Rated voltage | 50 V AC (Power and data) |
| | 60 V DC (Power and data) |
| Rated surge voltage | 0.8 kV |
| Number of positions | 8 |
| Insulation resistance | > 100 MΩ |
| Coding | Y - hybrid |
| Standards/regulations | M12 connector |
| Signal type/category | Universal CAT5 (IEC 11801:2002) |
| Overvoltage category | III |
| Degree of pollution | 3 |
| Connection method | Contacts with connected litz wires |
| Insertion/withdrawal cycles | > 100 |
| Torque | 3 Nm ... 4 Nm (Installation-side) |
| Mounting type | Rear mounting M16 x 1.5 |

Material

| | |
|--|------------------------------|
| Flammability rating according to UL 94 | V0 |
| Contact material | CuZn |
| Contact surface material | Ni/Au |
| Contact carrier material | PPA |
| Material, knurls | Zinc die-cast, nickel-plated |
| Sealing material | FKM |

Cable

| | |
|---|--|
| Cable type | TPE litz wire |
| Conductor cross section | 0.14 mm ² |
| | 0.5 mm ² |
| AWG signal line | 26 |
| AWG power supply | 20 |
| Conductor structure signal line | 1.10 mm |
| Conductor structure, voltage supply | 1.50 mm |
| Thickness, insulation | 0.25 mm |
| Wire colors | Signal: orange/white, orange, green/white, green Power: blue, white, brown, black |
| Material conductor insulation | TPE |
| Conductor material | Tin-plated Cu litz wires |
| Standards/specifications | M12 connector |
| Insulation resistance | ≥ 20 MΩ*km |
| Conductor resistance | ≤ 142 mΩ/m |
| | ≤ 40.1 mΩ/m |
| Transmission characteristics (category) | CAT5 (IEC 11801:2002) |

Flush-type socket - SACC-DSI-FSY-8CON-M16/0,5 SCO - 1407618

Technical data

Cable

| | |
|---------------------------------|---|
| Nominal voltage, cable | 300 V |
| Test voltage, cable | 3000 V AC |
| Ambient temperature (operation) | -40 °C ... 105 °C (cable, fixed installation) |
| | -30 °C ... 90 °C (cable, flexible installation) |

Standards and Regulations

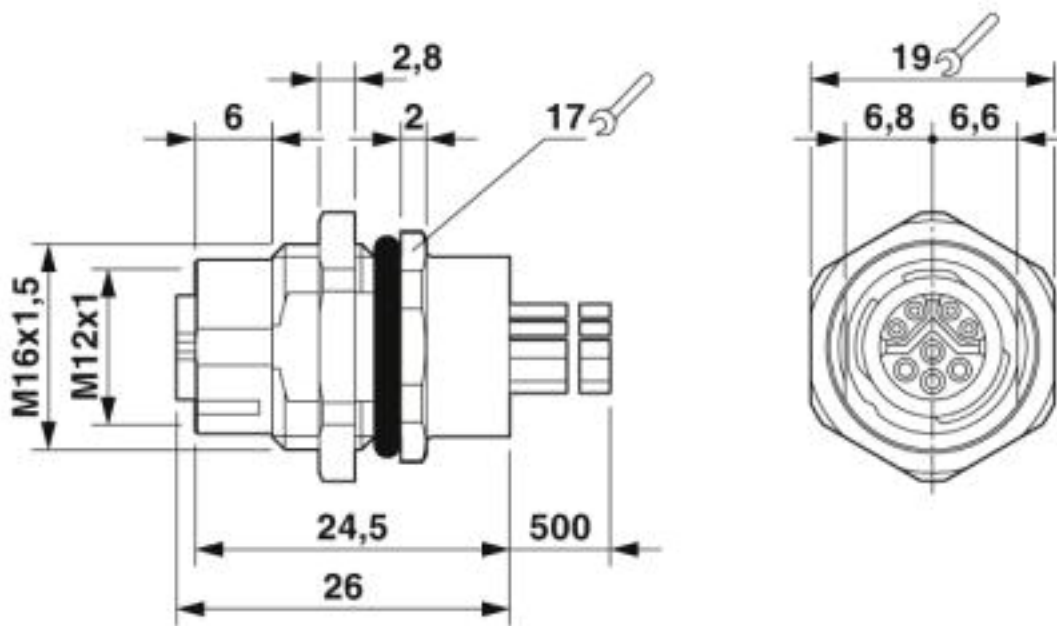
| | |
|--|---------------|
| Standard designation | M12 connector |
| Flammability rating according to UL 94 | V0 |

Environmental Product Compliance

| | |
|------------|---|
| REACH SVHC | Lead 7439-92-1 |
| China RoHS | Environmentally Friendly Use Period = 50 |
| | For details about hazardous substances go to tab "Downloads", Category "Manufacturer's declaration" |

Drawings

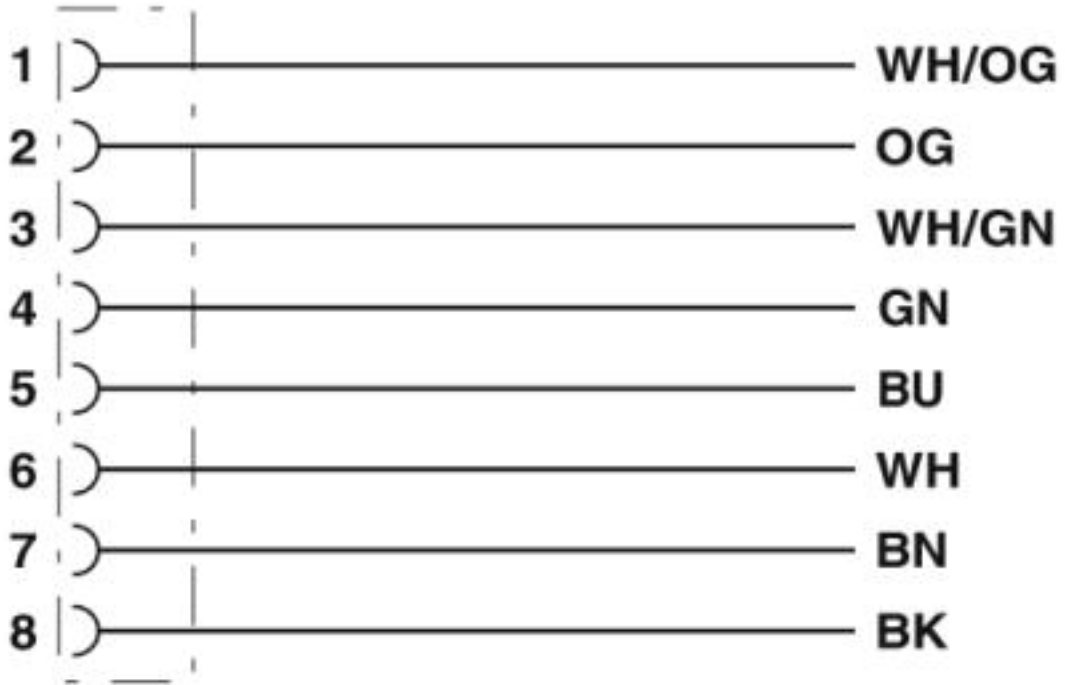
Dimensional drawing



M12 flush-type socket, rear mounting, M16 fastening thread

Flush-type socket - SACC-DSI-FSY-8CON-M16/0,5 SCO - 1407618

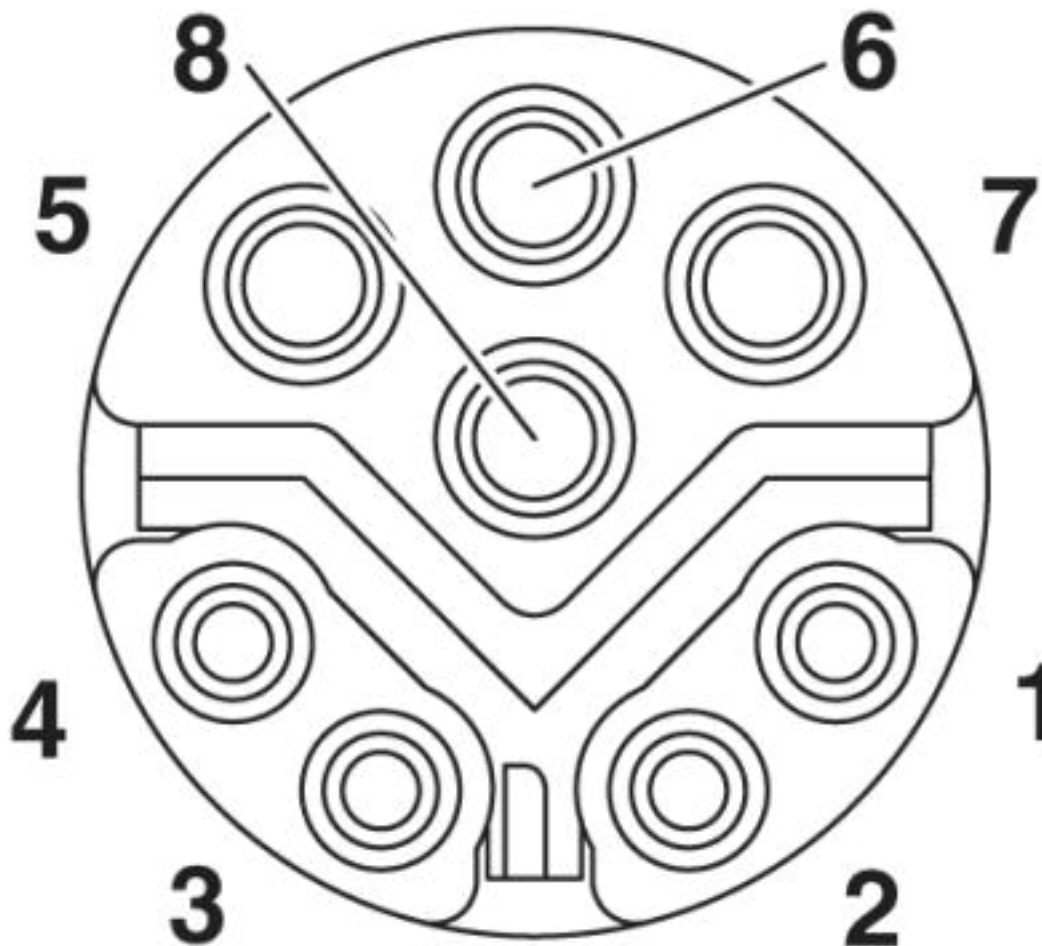
Circuit diagram



Contact assignment of the M12 connector

Flush-type socket - SACC-DSI-FSY-8CON-M16/0,5 SCO - 1407618

Schematic diagram



Pin assignment of socket, 8-pos., Y-coded, socket side view

Approvals

Approvals

Approvals

UL Recognized / cUL Recognized / EAC / cULus Recognized

Ex Approvals

Approval details

Flush-type socket - SACC-DSI-FSY-8CON-M16/0,5 SCO - 1407618

Approvals

| | | |
|--------------------|--|--|
| UL Recognized | | http://database.ul.com/cgi-bin/XYV/template/LISEXT/1FRAME/index.htm E335024-20120308 |
| Nominal voltage UN | | 30 V |
| Nominal current IN | | 4.5 A |

| | | |
|--------------------|--|--|
| cUL Recognized | | http://database.ul.com/cgi-bin/XYV/template/LISEXT/1FRAME/index.htm E335024-20120308 |
| Nominal voltage UN | | 30 V |
| Nominal current IN | | 4.5 A |

| | | |
|-----|--|---------|
| EAC | | B.00767 |
|-----|--|---------|

| | |
|------------------|--|
| cULus Recognized | |
|------------------|--|

Phoenix Contact 2019 © - all rights reserved
<http://www.phoenixcontact.com>

PHOENIX CONTACT GmbH & Co. KG
Flachsmarktstr. 8
32825 Blomberg
Germany
Tel. +49 5235 300
Fax +49 5235 3 41200
<http://www.phoenixcontact.com>