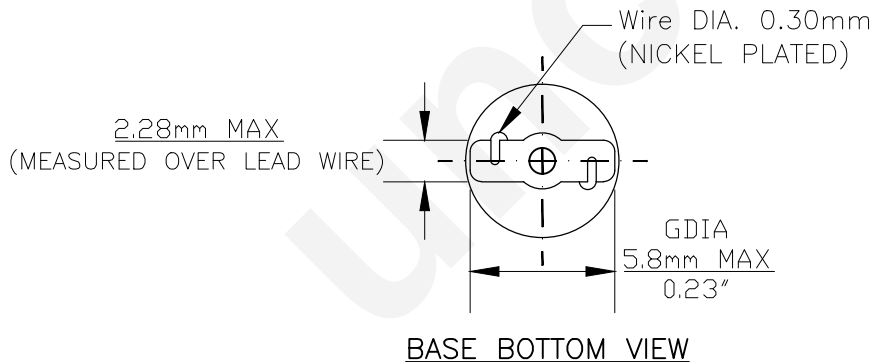
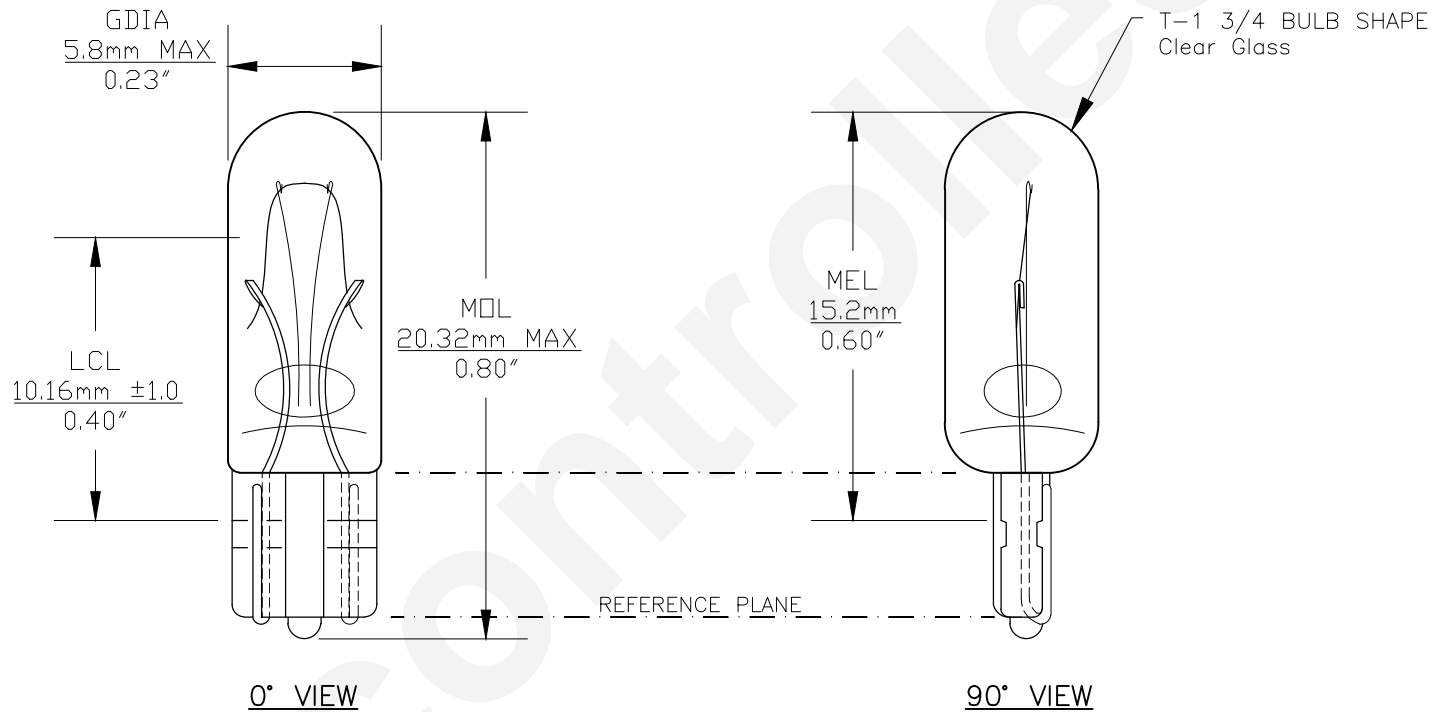




PART NO.	BASE TYPE	DESIGN VOLTS	DESIGN AMPS	MSCD	FILAMENT TYPE	AVERAGE LIFE HOURS	REVISIONS			
							REV #	DESCRIPTION	DATE	APPROVED
17	Sub-miniature Glass Wedge (T-1 3/4)	28.0V	0.065±15%	0.65±20%	C-2F	5000	1	ISSUED	10/30/2014	R.M.



Note: Made according to SAE specifications



UNLESS OTHERWISE SPECIFIED: DIMENSIONS ARE IN INCHES TOLERANCES		CEC INDUSTRIES LTD	
DECIMALS	ANGULAR	599 BOND STREET LINCOLNSHIRE, IL 60069	
.XX ± .05	± 0.5°	TITLE LIGHT BULB NO. 17	
.XXX ± .010		SIZE A	REV 1
FRACTIONAL	±1/64	FSCM NO.	DWG NO. 17
DRAWN ROSE MEDINA	DATE 10/30/2014	SCALE	SHEET 1 OF 1
CHECKED		PLOT SCALE	DRAWING NOT TO SCALE
DESIGN		FILE 17.pdf	
MATERIAL			