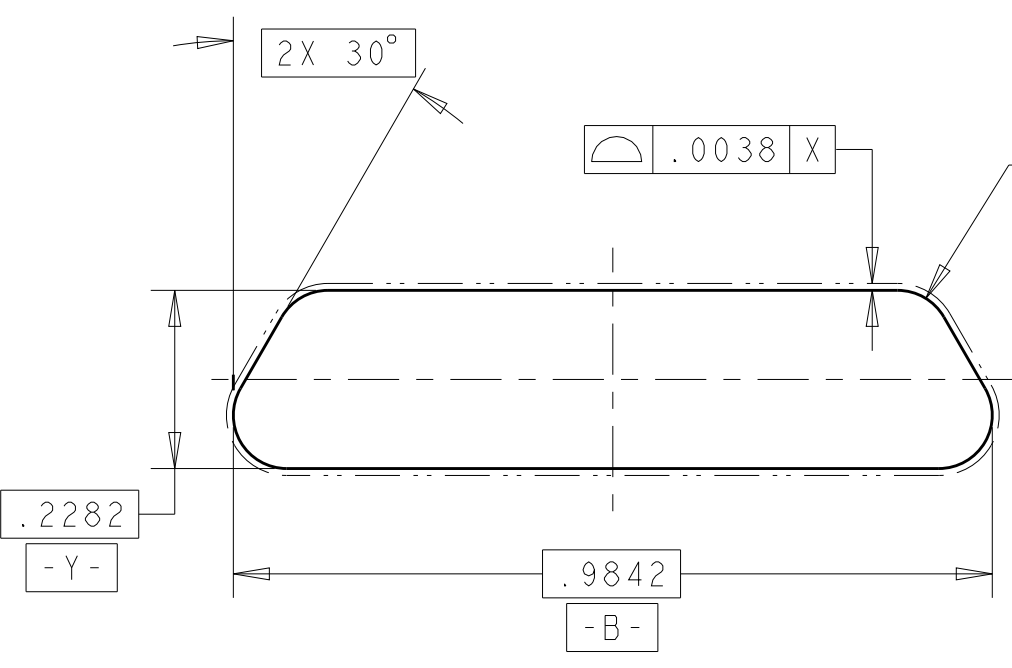
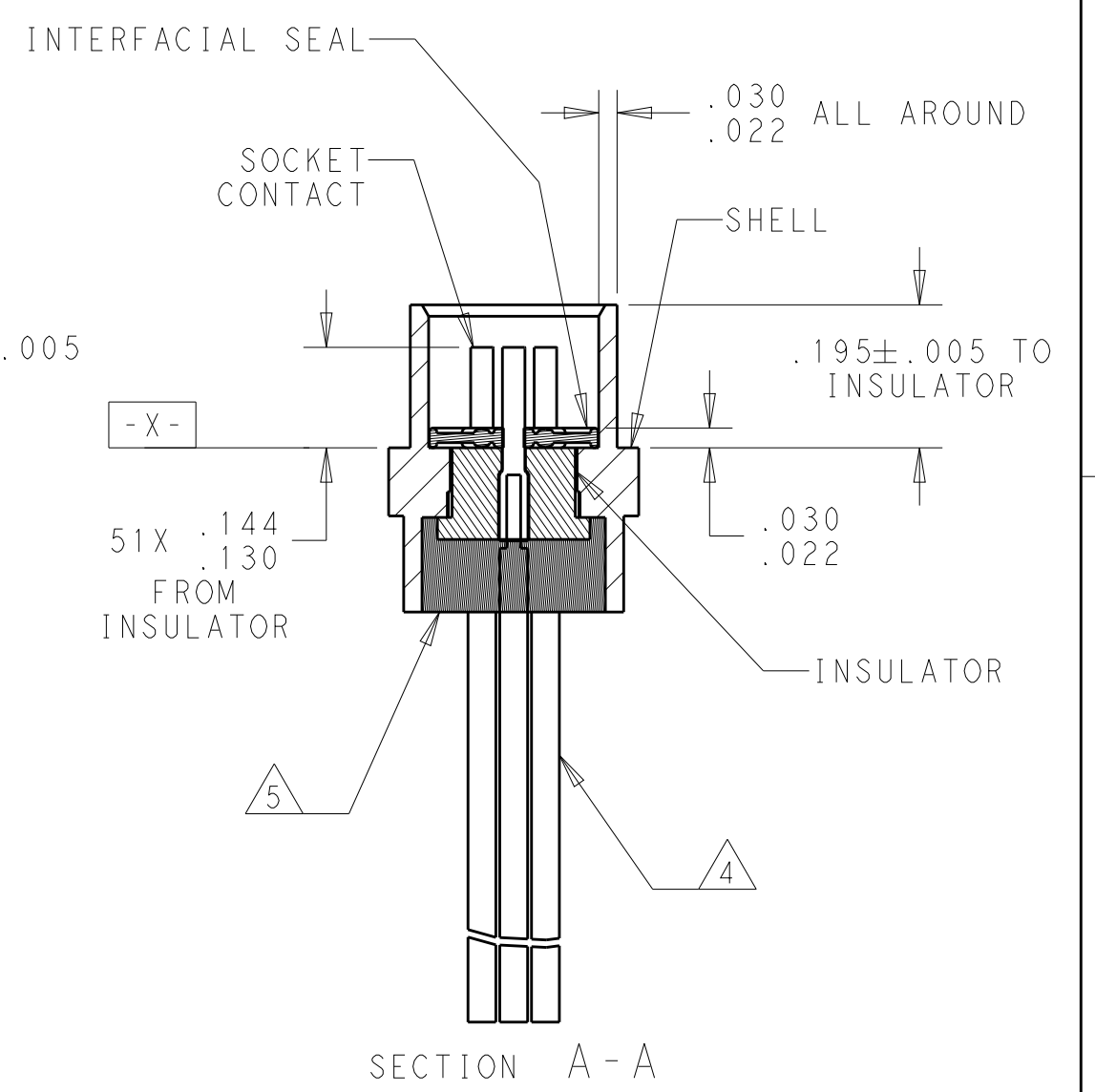
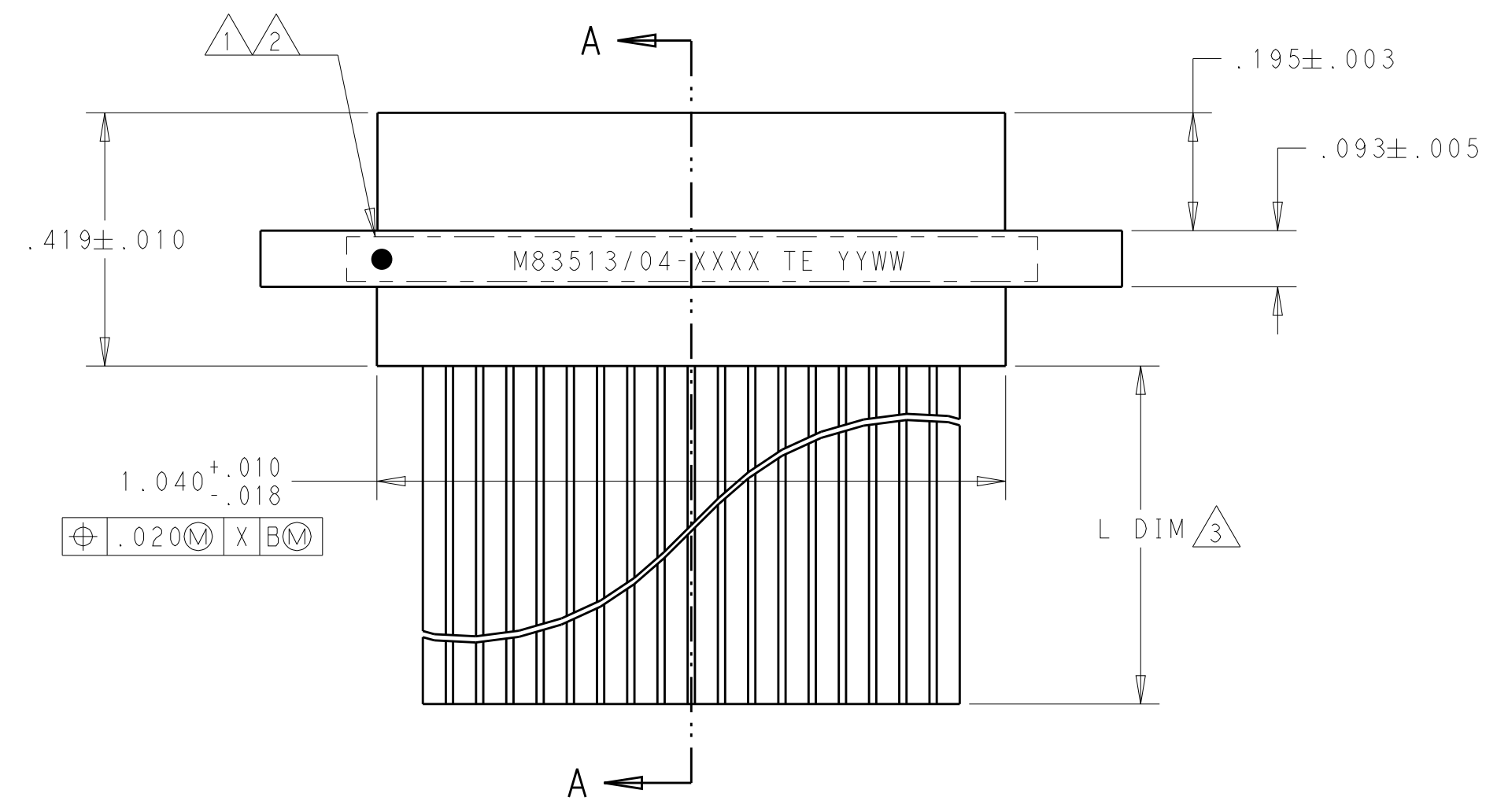
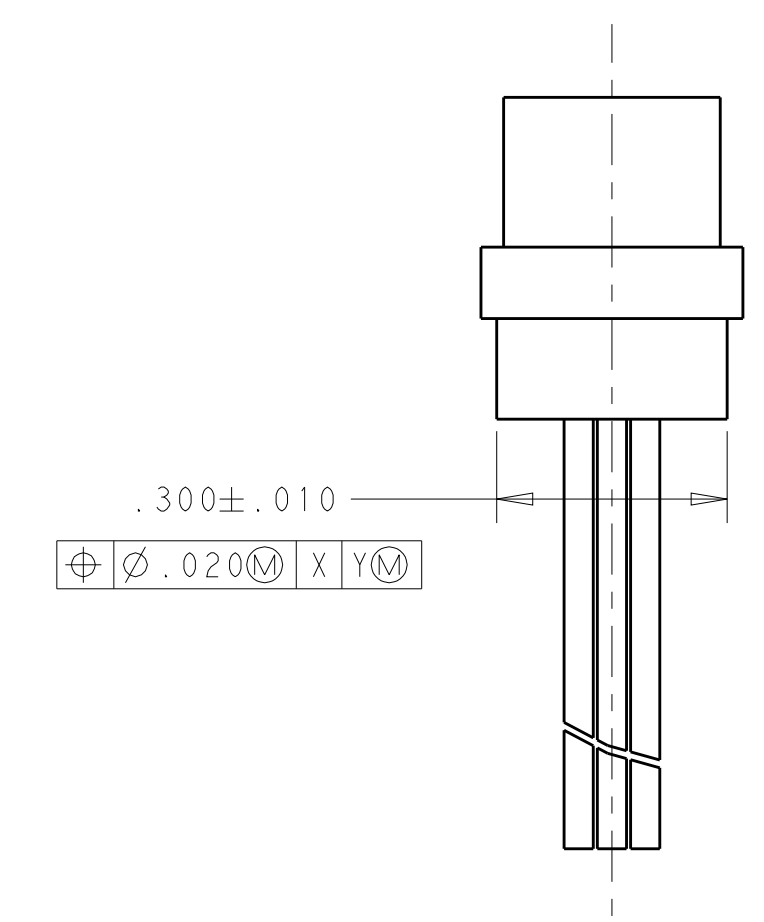
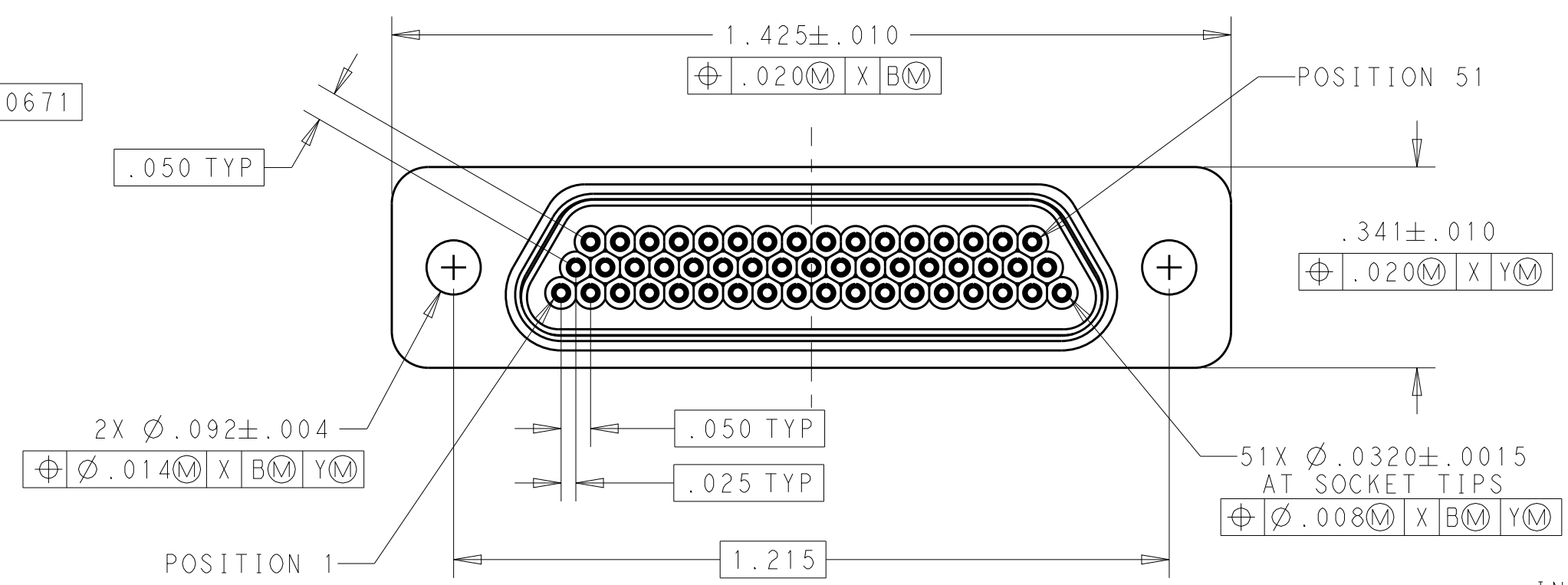


THIS DRAWING IS UNPUBLISHED. RELEASED FOR PUBLICATION 20
 © COPYRIGHT 20 BY - ALL RIGHTS RESERVED.

| REVISIONS | | | | |
|-----------|-----|--------------------------|-----------|-------|
| P | LTR | DESCRIPTION | DATE | APVD |
| B | | UPDATE PER ECO-16-006602 | 04MAY2016 | DS CS |
| | | | | |
| | | | | |



INTERFACE DETAIL



SECTION A-A

- 1 CONNECTOR SHALL BE MARKED IN ACCORDANCE WITH METHOD 1 OF MIL-STD-1285. MARKING SHALL CONTAIN THE MILITARY PIN, CAGE CODE (OR TE), AND DATE CODE. EXAMPLE: M83513/04-XXXX TE YYWW (WHERE XXXX IS PART OF THE PIN SHOWN IN THE "MIL-DTL-83513" COLUMN OF THE PART NUMBER TABLE, AND YYWW IS THE DATE CODE). TEXT HEIGHT SHALL BE .035 INCH MINIMUM.
- 2 POSITION 1 SHALL BE INDICATED BY AN IDENTIFIABLE MARK, LOCATED APPROXIMATELY AS SHOWN ON THE POSITION 1 SIDE OF THE CONNECTOR FLANGE. THIS MARK SHALL BE INCLUDED AS PART OF THE PART MARKING INFORMATION.
- 3 LENGTH IS SHOWN IN THE "L DIM" COLUMN OF THE PART NUMBER TABLE. LENGTH TOLERANCE IS +1.0/-0.0 FOR INSULATED WIRE TERMINATIONS, AND +0.20/-0.00 FOR UNINSULATED WIRE TERMINATIONS.
- 4 INSULATED WIRE IS SHOWN FOR REFERENCE ONLY. PART MAY BE TERMINATED WITH INSULATED OR UNINSULATED WIRE ACCORDING TO THE PART NUMBER TABLE.
- 5 EPOXY ENCAPSULATION. EPOXY MAY WICK .125 INCH MAX FOR INSULATED WIRE, AND .050 INCH MAX FOR UNINSULATED WIRE.
- 6 ALL DIMENSIONS AND REQUIREMENTS ARE PER MIL-DTL-83513/4.


| | | | | |
|--|-----------|------------------------------|-----------|------------------------------|
| THIS DRAWING IS A CONTROLLED DOCUMENT. | | DWN B ROMANCHUK | 03SEP2008 | TE Connectivity |
| DIMENSIONS: IN | | CHK M STORRY | 03SEP2008 | |
| TOLERANCES UNLESS OTHERWISE SPECIFIED: | | APVD | | NAME |
| 0 PLC | ± | PRODUCT SPEC | | RECEPTACLE ASSEMBLY |
| 1 PLC | ± | APPLICATION SPEC | | MICRO-D PER MIL-DTL 83513/04 |
| 2 PLC | ±.010 | WEIGHT | | MCKS SERIES, 51 POSITION |
| 3 PLC | ±.005 | CUSTOMER DRAWING | | SIZE CAGE CODE DRAWING NO |
| 4 PLC | ± | SCALE 4:1 SHEET 1 OF 2 REV B | | A298278 C-1532177 |
| ANGLES | ±1° | RESTRICTED TO | | - |
| FINISH | - | SCALE 4:1 SHEET 1 OF 2 REV B | | - |
| MATERIAL | SEE NOTES | SCALE 4:1 SHEET 1 OF 2 REV B | | - |

THIS DRAWING IS UNPUBLISHED. RELEASED FOR PUBLICATION 20
 © COPYRIGHT 20 BY - ALL RIGHTS RESERVED.

| REVISIONS | | | | |
|-----------|-----|-------------|------|------|
| P | LTR | DESCRIPTION | DATE | APVD |
| - | | SEE SHEET 1 | - | - |
| | | | | |
| | | | | |

| TE PART NUMBER | L DIM | MIL-DTL-83513 PIN | MICRODOT P/N | MCKS DESCRIPTION |
|----------------|-------|-------------------|---------------|-----------------------|
| 1532177-1 | 18 | M83513/04-G01N | 094-6726-0001 | MCKS-N1-B-51S6G1-18.0 |
| 1532177-2 | 36 | M83513/04-G02N | 094-6726-0002 | MCKS-N1-B-51S6G1-36.0 |
| 1532177-3 | 18 | M83513/04-G03N | 094-6726-0003 | MCKS-N1-B-51S6G9-18.0 |
| 1532177-4 | 36 | M83513/04-G04N | 094-6726-0004 | MCKS-N1-B-51S6G9-36.0 |
| 1532177-5 | 18 | M83513/04-G09N | 094-6726-0009 | MCKS-N1-B-51S6Q1-18.0 |
| 1532177-6 | 36 | M83513/04-G10N | 094-6726-0010 | MCKS-N1-B-51S6Q1-36.0 |
| 1532177-7 | 18 | M83513/04-G11N | 094-6726-0011 | MCKS-N1-B-51S6Q9-18.0 |
| 1532177-8 | 36 | M83513/04-G12N | 094-6726-0012 | MCKS-N1-B-51S6Q9-36.0 |
| 1532177-9 | 72 | M83513/04-G13N | 094-6726-0013 | MCKS-N1-B-51S6G1-72.0 |
| 1-1532177-0 | 72 | M83513/04-G14N | 094-6726-0014 | MCKS-N1-B-51S6G9-72.0 |
| 1-1532177-1 | 72 | M83513/04-G15N | 094-6726-0015 | MCKS-N1-B-51S6Q1-72.0 |
| 1-1532177-2 | 72 | M83513/04-G16N | 094-6726-0016 | MCKS-N1-B-51S6Q9-72.0 |
| 1-1532177-3 | 0.5 | M83513/04-G05N | 094-6726-0005 | MCKS-N1-B-51S5L4-0.5 |
| 1-1532177-4 | 1.0 | M83513/04-G06N | 094-6726-0006 | MCKS-N1-B-51S5L4-1.0 |
| 1-1532177-5 | 0.5 | M83513/04-G07N | 094-6726-0007 | MCKS-N1-B-51S5L5-0.5 |
| 1-1532177-6 | 1.0 | M83513/04-G08N | 094-6726-0008 | MCKS-N1-B-51S5L5-1.0 |
| 1-1532177-7 | 18 | M83513/04-G01C | 094-6736-0001 | MCKS-C2-B-51S6G1-18.0 |
| 1-1532177-8 | 36 | M83513/04-G02C | 094-6736-0002 | MCKS-C2-B-51S6G1-36.0 |
| 1-1532177-9 | 18 | M83513/04-G03C | 094-6736-0003 | MCKS-C2-B-51S6G9-18.0 |
| 2-1532177-0 | 36 | M83513/04-G04C | 094-6736-0004 | MCKS-C2-B-51S6G9-36.0 |
| 2-1532177-1 | 0.5 | M83513/04-G05C | 094-6736-0005 | MCKS-C2-B-51S5L4-0.5 |
| 2-1532177-2 | 1.0 | M83513/04-G06C | 094-6736-0006 | MCKS-C2-B-51S5L4-1.0 |
| 2-1532177-3 | 0.5 | M83513/04-G07C | 094-6736-0007 | MCKS-C2-B-51S5L5-0.5 |
| 2-1532177-4 | 1.0 | M83513/04-G08C | 094-6736-0008 | MCKS-C2-B-51S5L5-1.0 |
| 2-1532177-5 | 18 | M83513/04-G09C | 094-6736-0009 | MCKS-C2-B-51S6Q1-18.0 |
| 2-1532177-6 | 36 | M83513/04-G10C | 094-6736-0010 | MCKS-C2-B-51S6Q1-36.0 |
| 2-1532177-7 | 18 | M83513/04-G11C | 094-6736-0011 | MCKS-C2-B-51S6Q9-18.0 |
| 2-1532177-8 | 36 | M83513/04-G12C | 094-6736-0012 | MCKS-C2-B-51S6Q9-36.0 |
| 2-1532177-9 | 72 | M83513/04-G13C | 094-6736-0013 | MCKS-C2-B-51S6G1-72.0 |
| 3-1532177-0 | 72 | M83513/04-G14C | 094-6736-0014 | MCKS-C2-B-51S6G9-72.0 |
| 3-1532177-1 | 72 | M83513/04-G15C | 094-6736-0015 | MCKS-C2-B-51S6Q1-72.0 |
| 3-1532177-2 | 72 | M83513/04-G16C | 094-6736-0016 | MCKS-C2-B-51S6Q9-72.0 |

| TE PART NUMBER | L DIM | MIL-DTL-83513 PIN | MICRODOT P/N | MCKS DESCRIPTION |
|----------------|-------|-------------------|---------------|-----------------------|
| 3-1532177-3 | 18 | M83513/04-G01P | 094-6746-0001 | MCKS-P1-B-51S6G1-18.0 |
| 3-1532177-4 | 36 | M83513/04-G02P | 094-6746-0002 | MCKS-P1-B-51S6G1-36.0 |
| 3-1532177-5 | 18 | M83513/04-G03P | 094-6746-0003 | MCKS-P1-B-51S6G9-18.0 |
| 3-1532177-6 | 36 | M83513/04-G04P | 094-6746-0004 | MCKS-P1-B-51S6G9-36.0 |
| 3-1532177-7 | 0.5 | M83513/04-G05P | 094-6746-0005 | MCKS-P1-B-51S5L4-0.5 |
| 3-1532177-8 | 1.0 | M83513/04-G06P | 094-6746-0006 | MCKS-P1-B-51S5L4-1.0 |
| 3-1532177-9 | 0.5 | M83513/04-G07P | 094-6746-0007 | MCKS-P1-B-51S5L5-0.5 |
| 4-1532177-0 | 1.0 | M83513/04-G08P | 094-6746-0008 | MCKS-P1-B-51S5L5-1.0 |
| 4-1532177-1 | 18 | M83513/04-G09P | 094-6746-0009 | MCKS-P1-B-51S6Q1-18.0 |
| 4-1532177-2 | 36 | M83513/04-G10P | 094-6746-0010 | MCKS-P1-B-51S6Q1-36.0 |
| 4-1532177-3 | 18 | M83513/04-G11P | 094-6746-0011 | MCKS-P1-B-51S6Q9-18.0 |
| 4-1532177-4 | 36 | M83513/04-G12P | 094-6746-0012 | MCKS-P1-B-51S6Q9-36.0 |
| 4-1532177-5 | 72 | M83513/04-G13P | 094-6746-0013 | MCKS-P1-B-51S6G1-72.0 |
| 4-1532177-6 | 72 | M83513/04-G14P | 094-6746-0014 | MCKS-P1-B-51S6G9-72.0 |
| 4-1532177-7 | 72 | M83513/04-G15P | 094-6746-0015 | MCKS-P1-B-51S6Q1-72.0 |
| 4-1532177-8 | 72 | M83513/04-G16P | 094-6746-0016 | MCKS-P1-B-51S6Q9-72.0 |

| | | | | | |
|---|--|-----------------------|------------|---|-------------------------|
| THIS DRAWING IS A CONTROLLED DOCUMENT. | | DWN B ROMANCHUK | 03SEP2008 |  TE Connectivity | |
| DIMENSIONS: IN | | CHK - | - | | |
| TOLERANCES UNLESS OTHERWISE SPECIFIED: | | APVD M. STORRY | 03SEP2008 | NAME RECEPTACLE ASSEMBLY | |
| 0 PLC ± 1 PLC ± 2 PLC ±.010 3 PLC ±.005 4 PLC ± ANGLES ±1° FINISH | | PRODUCT SPEC - | | MICRO-D PER MIL-DTL 83513/04 | |
| MATERIAL SEE NOTES | | APPLICATION SPEC - | | MCKS SERIES, 51 POSITION | |
| | | WEIGHT - | SIZE A2 | CAGE CODE 98278 | DRAWING NO C-1532177 |
| | | CUSTOMER DRAWING | | RESTRICTED TO - | |
| | | SCALE 4:1 | SHEET 2 | OF 2 | REV B |