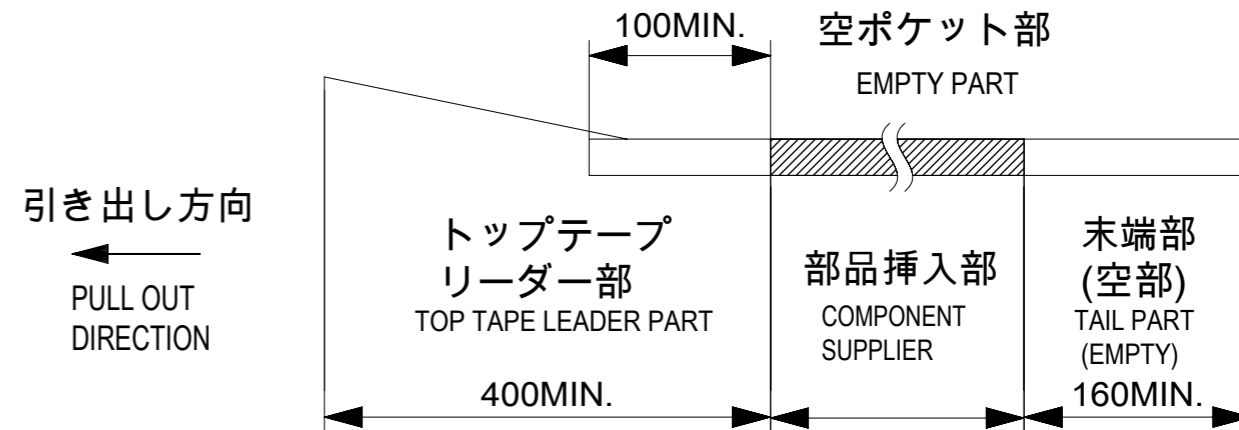


NOTES

- 梱包数量 : 1500個 / リール
NUMBER OF CONNECTORS : 1500 PCS/REEL.
- リードテープ長さ
LEAD TAPE LENGTH



- カバーテープの剥離強度については、IEC60286-3に準拠。
TOP TAPE PEEL FORCE IS DEFINED BY IEC 60286-3.
- 製品詳細寸法については、図面 2004851400を参照下さい。
FOR DIMENSIONS OF PRODUCT, REFER TO 2004851400
- 材料 MATERIAL
キャリアテープ : ポリスチレン
CARRIER TAPE : POLYSTYRENE
トップテープ : ポリエチレンテレフタレート、ポリエチレン
TOP TAPE : POLYETHYLENE TEREPHTHALATE, POLYETHYLENE
リール : ポリスチレン<リサイクル材を含む>
REEL: POLYSTYRENE RECYCLED MATERIAL CONTAINED
- ELV及びRoHS適合品 ELV AND RoHS COMPLIANT.

THIS DRAWING CONTAINS INFORMATION THAT IS PROPRIETARY TO MOLEX ELECTRONIC TECHNOLOGIES, LLC AND SHOULD NOT BE USED WITHOUT WRITTEN PERMISSION		CURRENT REV DESC:		molex	
DIMENSION UNITS	SCALE				
mm	NTS			EMB PKG ONE-TOUCH RA	
GENERAL TOLERANCES (UNLESS SPECIFIED)				PRODUCT CUSTOMER DRAWING	
ANGULAR TOL	± 1.0 °			DOCUMENT NUMBER	DOC TYPE
4 PLACES	± 0.1			2004850400	PSD
3 PLACES	± 0.1			000	B
2 PLACES	± 0.1			REVISION	
1 PLACE	± 0.1				
0 PLACES	± 0.1				
DRAFT WHERE APPLICABLE MUST REMAIN WITHIN DIMENSIONS		THIRD ANGLE PROJECTION	DRAWING	SERIES	MATERIAL NUMBER
			A3-SIZE	200485	SEE TABLE
				CUSTOMER	SHEET NUMBER
				GENERAL	1 OF 3

10

9

8

7

6

5

4

3

2

1

F

F

E

E

D

D

C

C

B

B

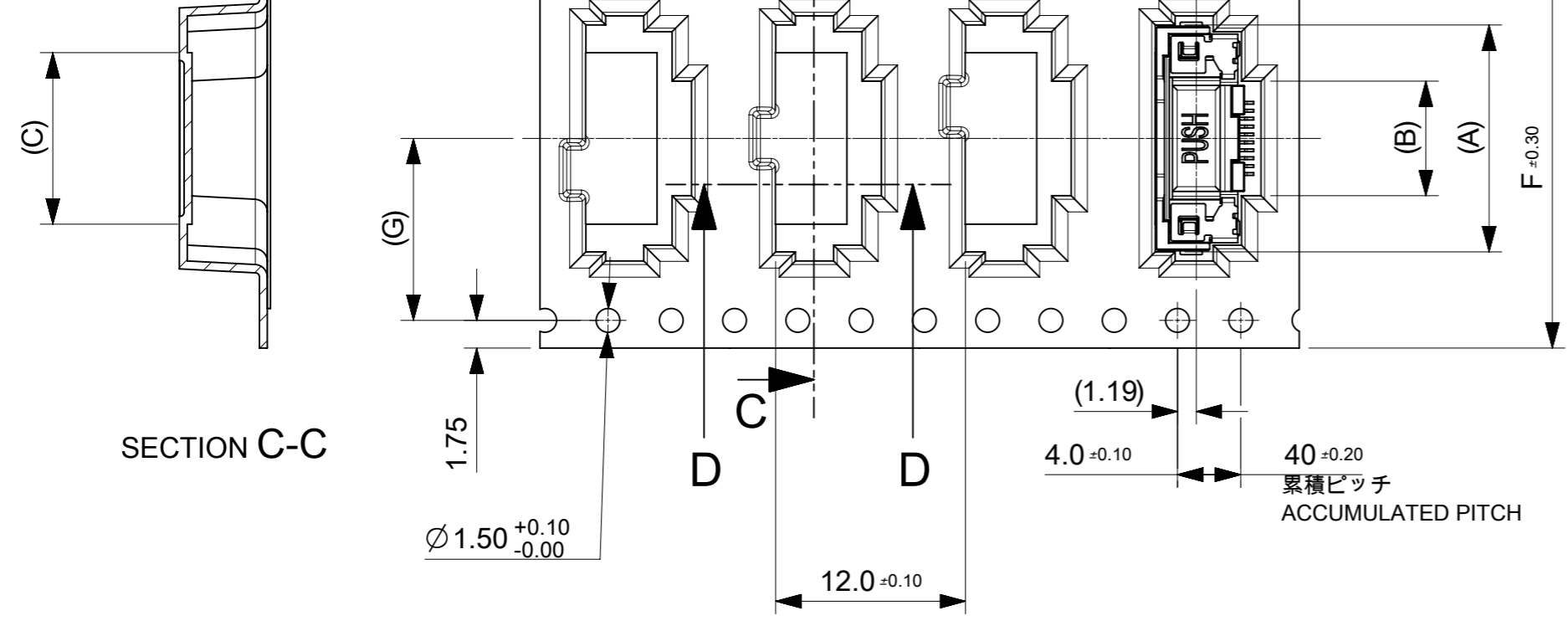
A

A

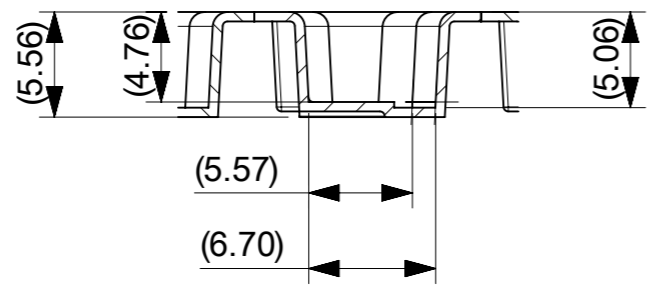
引き出し方向
PULL OUT
DIRECTION

TOP TAPE

C



SECTION C-C



SECTION D-D

CONNECTOR NO. 20048514**

11.5	24	29.4	25.4	10.84	7.04	14.34	2004850410	10
G	F	E	D	C	B	A	EMBOSSED PACKAGE	Ckt
							オーダー番号 ORDER NO.	

THIS DRAWING CONTAINS INFORMATION THAT IS PROPRIETARY TO MOLEX ELECTRONIC TECHNOLOGIES, LLC AND SHOULD NOT BE USED WITHOUT WRITTEN PERMISSION									
DIMENSION UNITS		SCALE		CURRENT REV DESC:					
mm		NTS		<p>molex</p> <p>EMB PKG ONE-TOUCH RA</p> <p>PRODUCT CUSTOMER DRAWING</p> <p>DOCUMENT NUMBER: 2004850400 DOC TYPE: PSD DOC PART: 000 REVISION: B</p>					
GENERAL TOLERANCES (UNLESS SPECIFIED)									
ANGULAR TOL ± 1.0 °									
4 PLACES ± 0.1									
3 PLACES ± 0.1									
2 PLACES ± 0.1									
1 PLACE ± 0.1									
0 PLACES ± 0.1				EC NO: 648126		DRWN: TYAMANE 2020/10/15		CHK'D: YMATSUMOTO 2020/10/30	
DRAFT WHERE APPLICABLE MUST REMAIN WITHIN DIMENSIONS				THIRD ANGLE PROJECTION		DRAWING: A3-SIZE		SERIES: 200485	
MATERIAL NUMBER		CUSTOMER		SEE TABLE		GENERAL		SHEET NUMBER: 2 OF 3	

DOCUMENT STATUS	P1	RELEASE DATE	2020/11/02	06:52:20
-----------------	----	--------------	------------	----------

FORMAT: master-b-prod-A3
REVISION: J
DATE: 2020/11/14

9

8

7

6

5

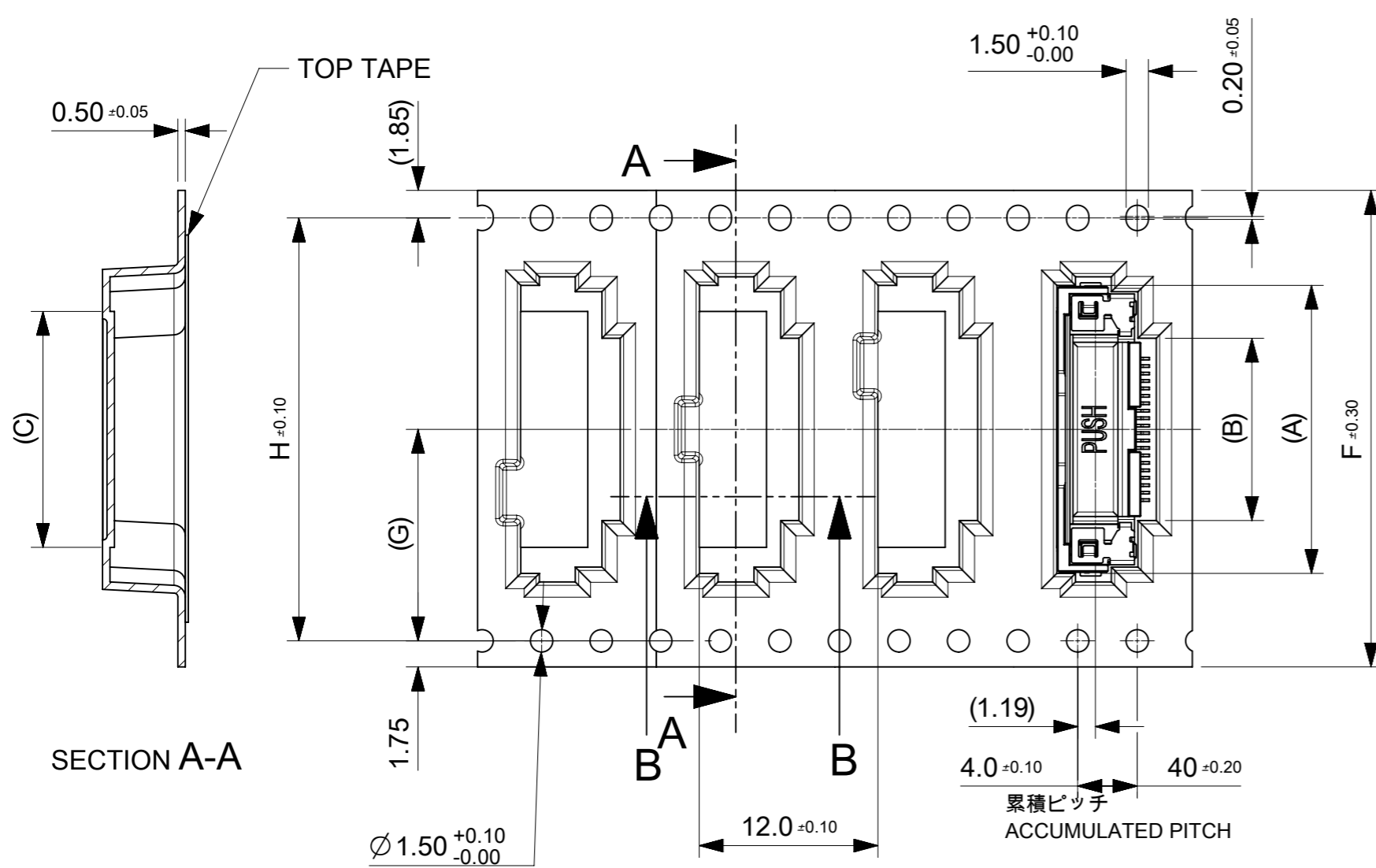
4

3

2

1

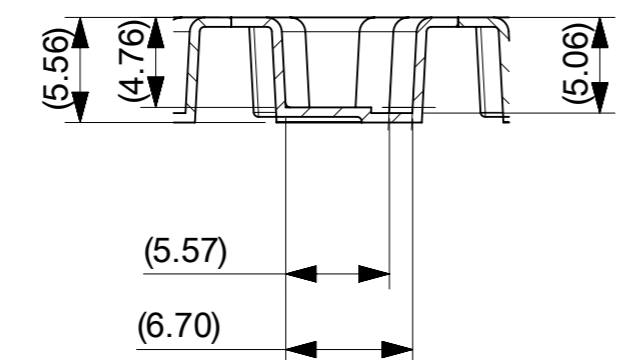
引き出し方向
PULL OUT
DIRECTION



1.50 ^{+0.10}/_{-0.00} 0.20 ±0.05

(1.19) 4.0 ±0.10 40 ±0.20
累積ピッチ
ACCUMULATED PITCH

∅1.50 ^{+0.10}/_{-0.00}



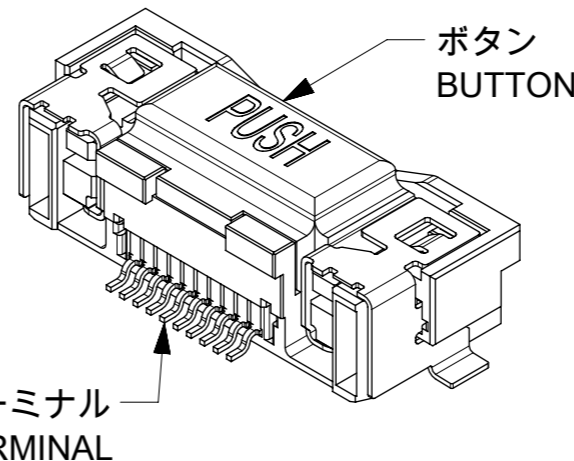
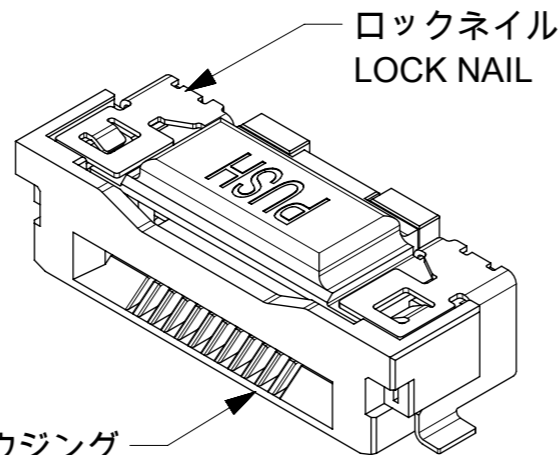
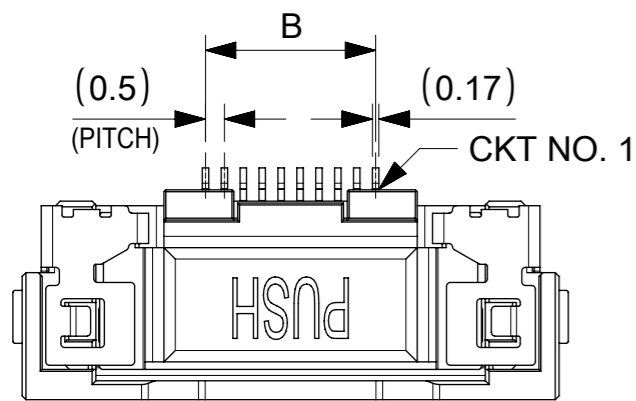
SECTION B-B

68.4	34.2	72	78.1	73.5	45.84	42.04	49.34	2004850480	80
					40.84	37.04	44.34	2004850470	70
52.4	26.2	56	61.4	75.4	35.84	32.04	39.34	2004850460	60
					31.34	27.54	34.84	2004850451	51
					30.84	27.04	34.34	2004850450	50
40.4	20.2	44	49.4	45.4	25.84	22.04	29.34	2004850440	40
					23.34	19.54	26.84	2004850435	35
					20.84	17.04	24.34	2004850430	30
28.4	14.2	32	37.4	33.4	15.84	12.04	19.34	2004850420	20
H	G	F	E	D	C	B	A	EMBOSSED PACKAGE	Ckt
								オーダー番号 ORDER NO.	

THIS DRAWING CONTAINS INFORMATION THAT IS PROPRIETARY TO MOLEX ELECTRONIC TECHNOLOGIES, LLC AND SHOULD NOT BE USED WITHOUT WRITTEN PERMISSION

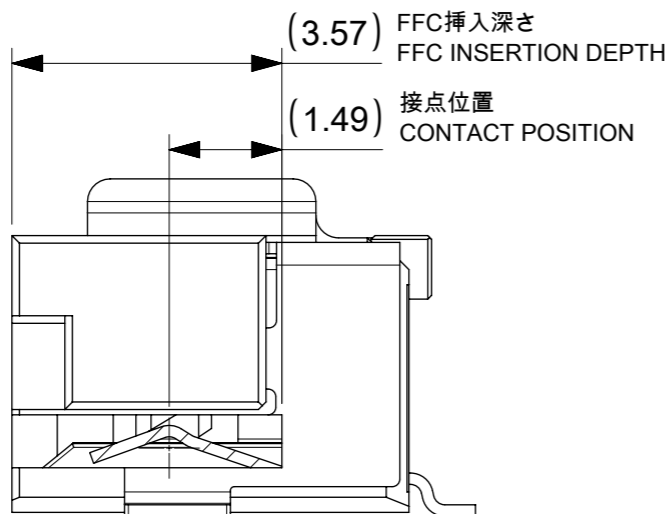
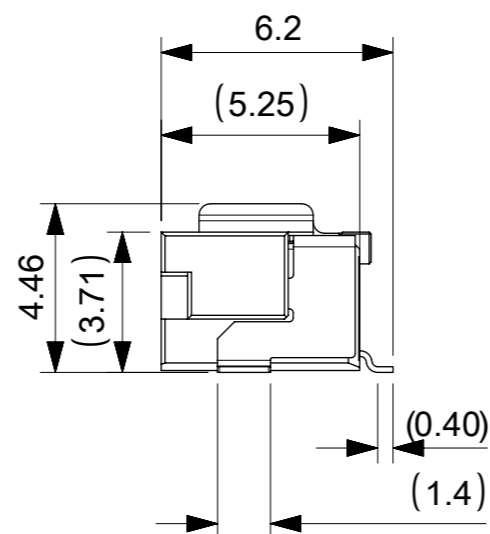
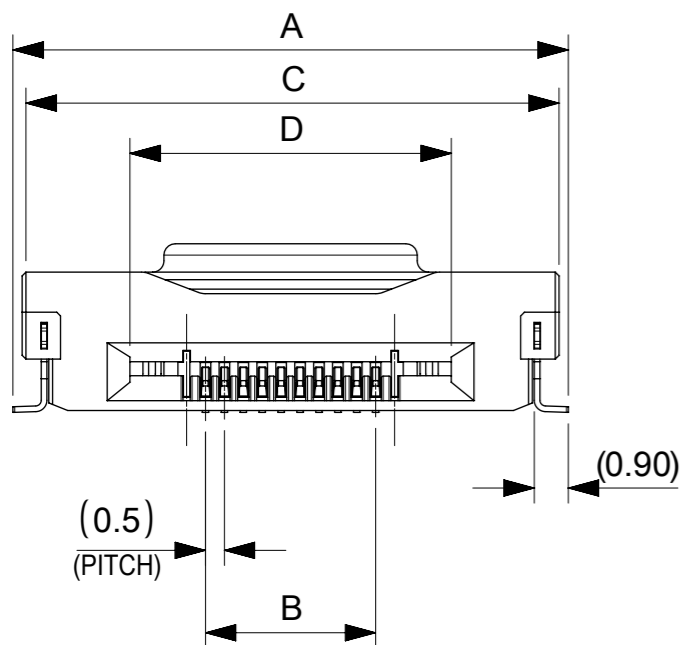
DIMENSION UNITS mm	SCALE NTS	CURRENT REV DESC:		molex	
GENERAL TOLERANCES (UNLESS SPECIFIED)		EC NO: 648126			
ANGULAR TOL	± 1.0 °	DRWN: TYAMANE 2020/10/15		PRODUCT CUSTOMER DRAWING	
4 PLACES	± 0.1	CHK'D: YMATSUMOTO 2020/10/30		DOCUMENT NUMBER	
3 PLACES	± 0.1	APPR: SHOSHIKAWA 2020/11/02		2004850400	
2 PLACES	± 0.1	INITIAL REVISION:		DOC TYPE	DOC PART
1 PLACE	± 0.1	DRWN: TYAMANE 2018/09/28		PSD	000
0 PLACES	± 0.1	APPR: SHOSHIKAWA 2020/06/08		REVISION	B
DRAFT WHERE APPLICABLE MUST REMAIN WITHIN DIMENSIONS		THIRD ANGLE PROJECTION	DRAWING	SERIES	MATERIAL NUMBER
			A3-SIZE	200485	SEE TABLE
				CUSTOMER	SHEET NUMBER
				GENERAL	3 OF 3

CONNECTOR NO. 20048514**



NOTES:

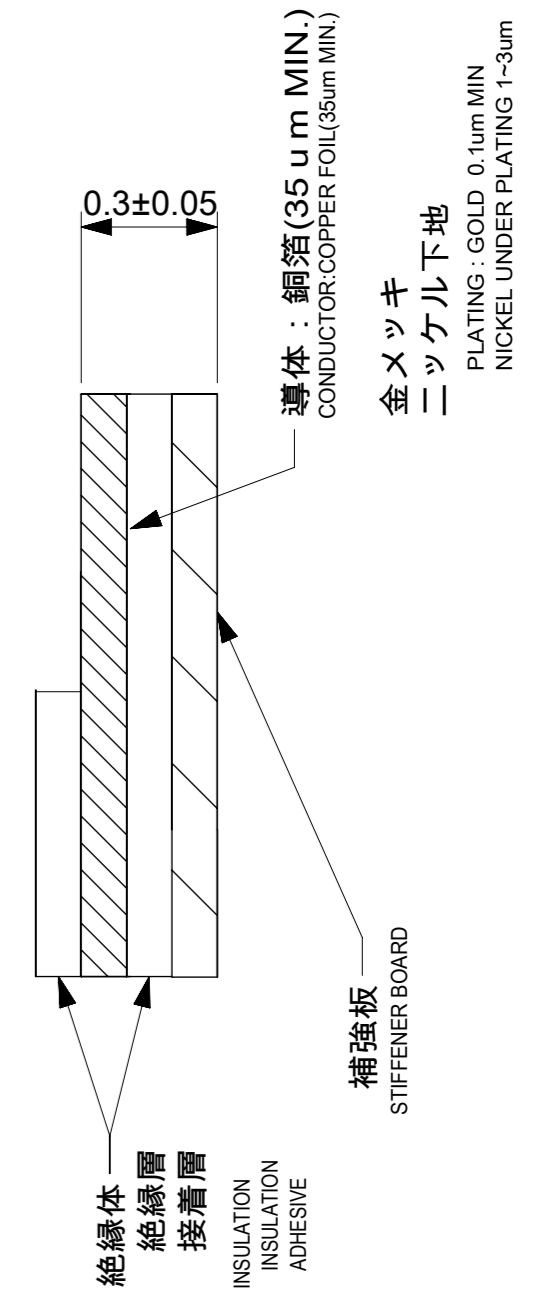
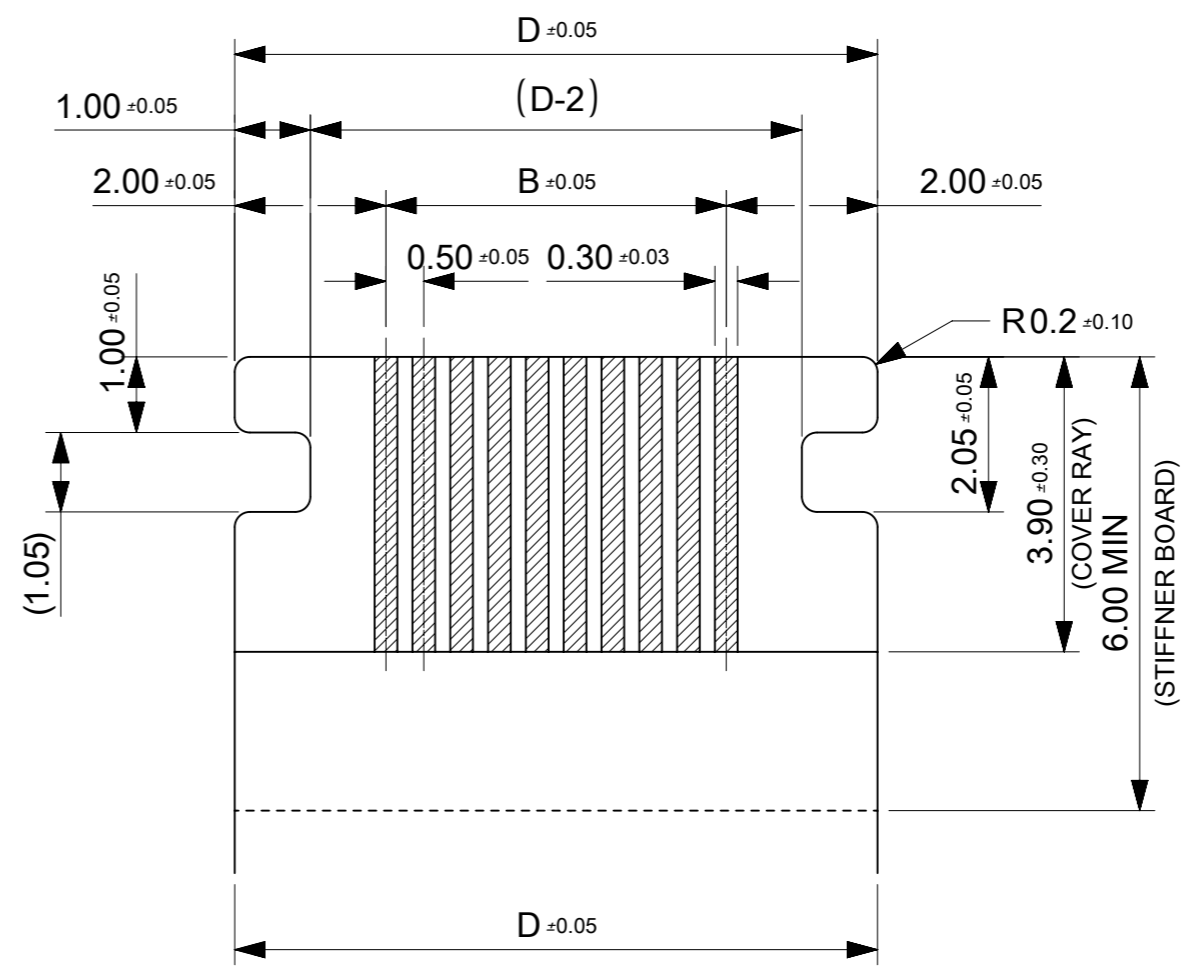
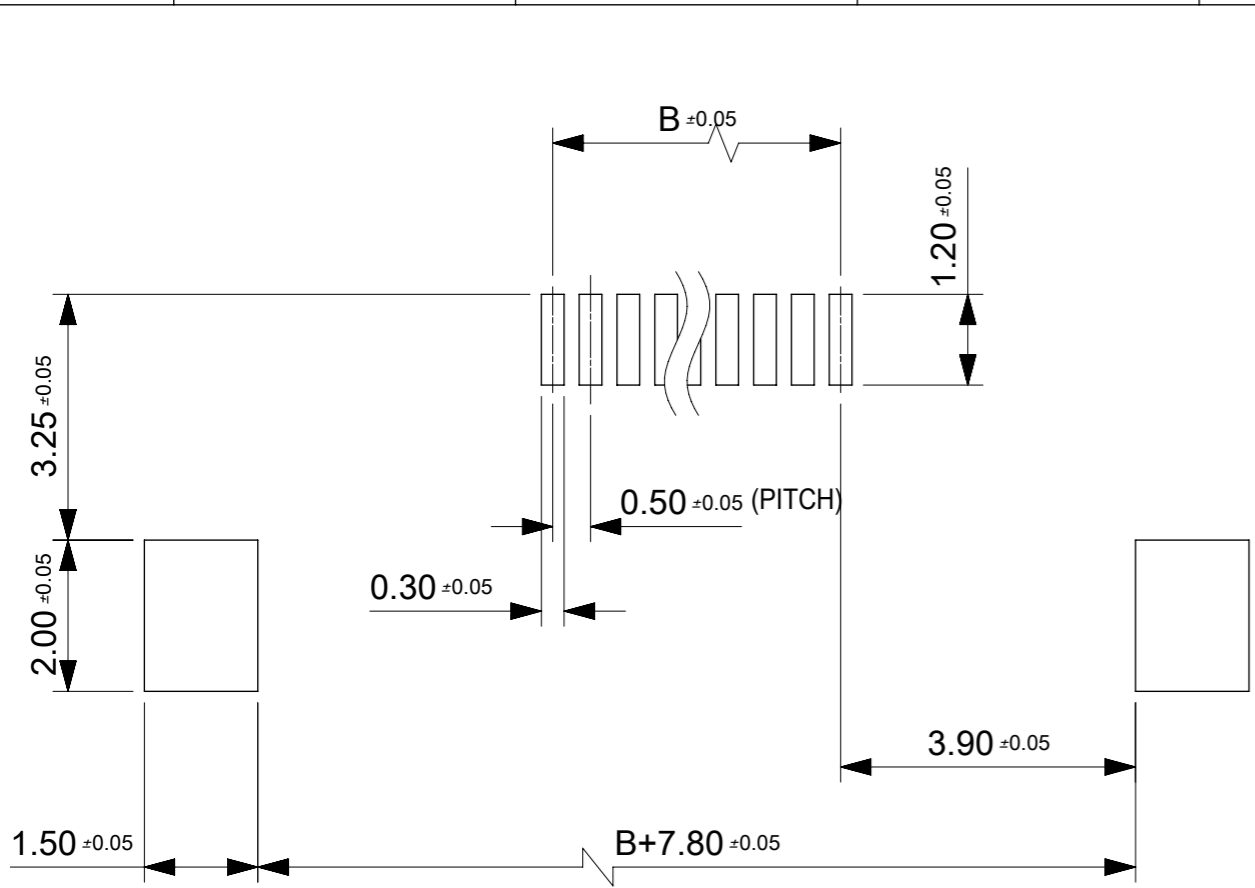
- 1.使用材料 MATERIAL
 ハウジング : 液晶ポリマー, ガラス充填, UL94V-0(黒)
 HOUSING : LIQUID CRYSTAL POLYMER, GLASS FILLED, UL94V-0(BLACK)
 ボタン : 液晶ポリマー, ガラス充填, UL94V-0(ナチュラル)
 BUTTON : LIQUID CRYSTAL POLYMER, GLASS FILLED, UL94V-0(NATURAL)
 ターミナル : 銅合金 (t=0.15)
 TERMINAL : COPPER ALLOY
 ロックネイル : 銅合金 (t=0.15)
 LOCK NAIL : COPPER ALLOY
- 2.めっき仕様 PLATING
 ターミナル TERMINAL
 接点部 : 金めっき 0.1μm以上
 CONTACT AREA : GOLD 0.1 MICROMETER MINIMUM
 半田付け部 : 金めっき
 SOLDER TAIL AREA : GOLD
 下地めっき : ニッケル 1.0μm以上
 UNDERPLATE : NICKEL 1.0 MICROMETER MINIMUM
 ロックネイル LOCK NAIL
 錫めっき (1.0μm以上)
 TIN PLATING (1.0 MICROMETER MIN.)
- 3.平坦度は0.1ミリ以下とする。
 COPLANALITY TO BE 0.1 MAXIMUM.



1.302	43.5	49.2	39.5	49.69	2004850480	80
1.195	38.5	44.2	34.5	44.69	2004850470	70
1.054	33.5	39.2	29.5	39.69	2004850460	60
0.958	29	34.7	25	35.19	2004850451	51
0.942	28.5	34.2	24.5	34.69	2004850450	50
0.796	23.5	29.2	19.5	29.69	2004850440	40
0.702	21	26.7	17	27.19	2004850435	35
0.650	18.5	24.2	14.5	24.69	2004850430	30
0.505	13.5	19.2	9.5	19.69	2004850420	20
0.359	8.5	14.2	4.5	14.69	2004850410	10
NET WEIGHT (g)	D	C	B	A	EMBOSSED PACKAGE	CIRCUIT

CONNECTOR SERIES NO. 20048514**

DIMENSION UNITS		SCALE	CURRENT REV DESC:			
mm		5:1	<p>molex</p> <p>0.5FFC CONN. RA ONE TOUCH ASS'Y</p> <p>PRODUCT CUSTOMER DRAWING</p> <p>DOCUMENT NUMBER: 2004851400 DOC TYPE: PSD DOC PART: 000 REVISION: C</p>			
GENERAL TOLERANCES (UNLESS SPECIFIED)						
ANGULAR TOL	±	1.0°				
4 PLACES	±	0.1				
3 PLACES	±	0.1				
2 PLACES	±	0.1				
1 PLACE	±	0.1				
0 PLACES	±	0.1	INITIAL REVISION:		DOCUMENT NUMBER	
DRAFT WHERE APPLICABLE MUST REMAIN WITHIN DIMENSIONS			THIRD ANGLE PROJECTION		DRAWING	SERIES
					A3-SIZE	200485
			MATERIAL NUMBER		CUSTOMER	
			SEE TABLE		GENERAL	
			SHEET NUMBER		1 OF 2	



推奨PWB寸法

RECOMMENDED PWB DIMENSION

推奨メタルマスク厚、開口率 : t=0.12mm, 80%

RECOMMENDED METAL MASK THICKNESS, APERTURE RATIO : t=0.12mm, 80%

ロックネイル部は開口率100%

APERTURE RATIO FOR LOCK NAIL: 100%

推奨FFC寸法

RECOMMENDED FFC DIMENSION

抜き方向は導体側から補強版側を推奨します
 RECOMMENDED PUNCHING DIRECTION:
 FROM CONDUCTOR SIDE TO STIFFENER SIDE

THIS DRAWING CONTAINS INFORMATION THAT IS PROPRIETARY TO MOLEX ELECTRONIC TECHNOLOGIES, LLC AND SHOULD NOT BE USED WITHOUT WRITTEN PERMISSION									
DIMENSION UNITS	SCALE	CURRENT REV DESC:							
mm	10:1	<p style="text-align: center;">molex</p> <p style="text-align: center;">0.5FFC CONN. RA ONE TOUCH ASS'Y</p> <p style="text-align: center;">PRODUCT CUSTOMER DRAWING</p>							
GENERAL TOLERANCES (UNLESS SPECIFIED)									
ANGULAR TOL	± 1.0 °								
4 PLACES	± 0.1								
3 PLACES	± 0.1								
2 PLACES	± 0.1								
1 PLACE	± 0.1	EC NO: 650466	DRWN: TYAMANE	2020/12/02	DOCUMENT NUMBER: 2004851400 DOC TYPE: PSD DOC PART: 000 REVISION: C				
0 PLACES	± 0.1	CHK'D: YMATSUMOTO	2020/12/02						
DRAFT WHERE APPLICABLE MUST REMAIN WITHIN DIMENSIONS		APPR: SHOSHIKAWA	2020/06/08						
THIRD ANGLE PROJECTION		DRAWING: A3-SIZE							
SERIES: 200485		MATERIAL NUMBER: SEE TABLE		CUSTOMER: GENERAL		SHEET NUMBER: 2 OF 2			