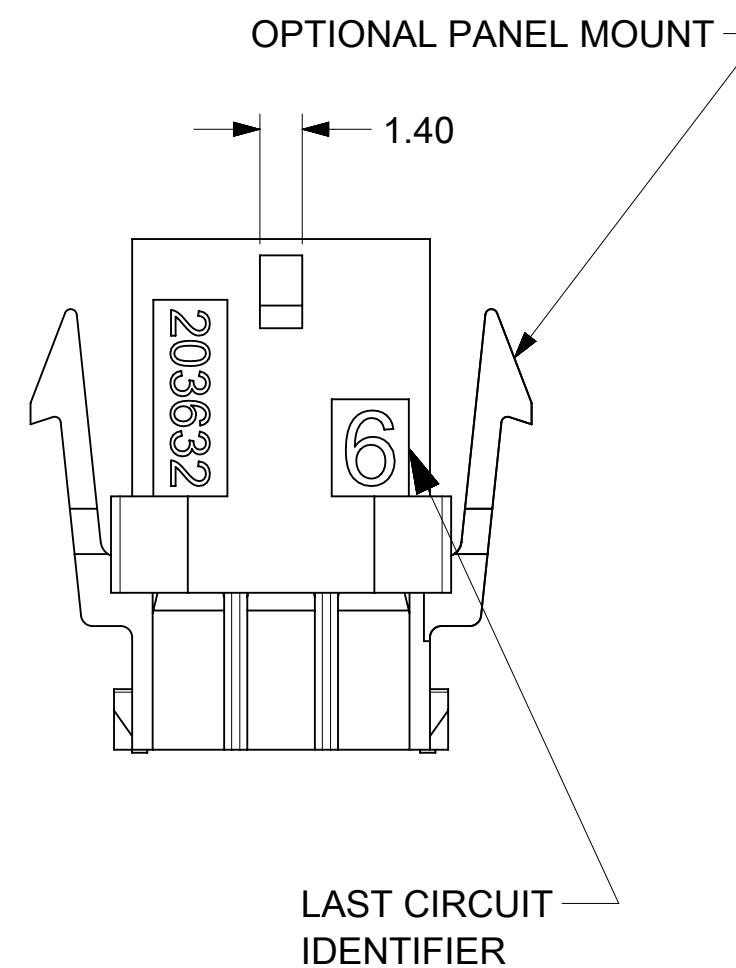
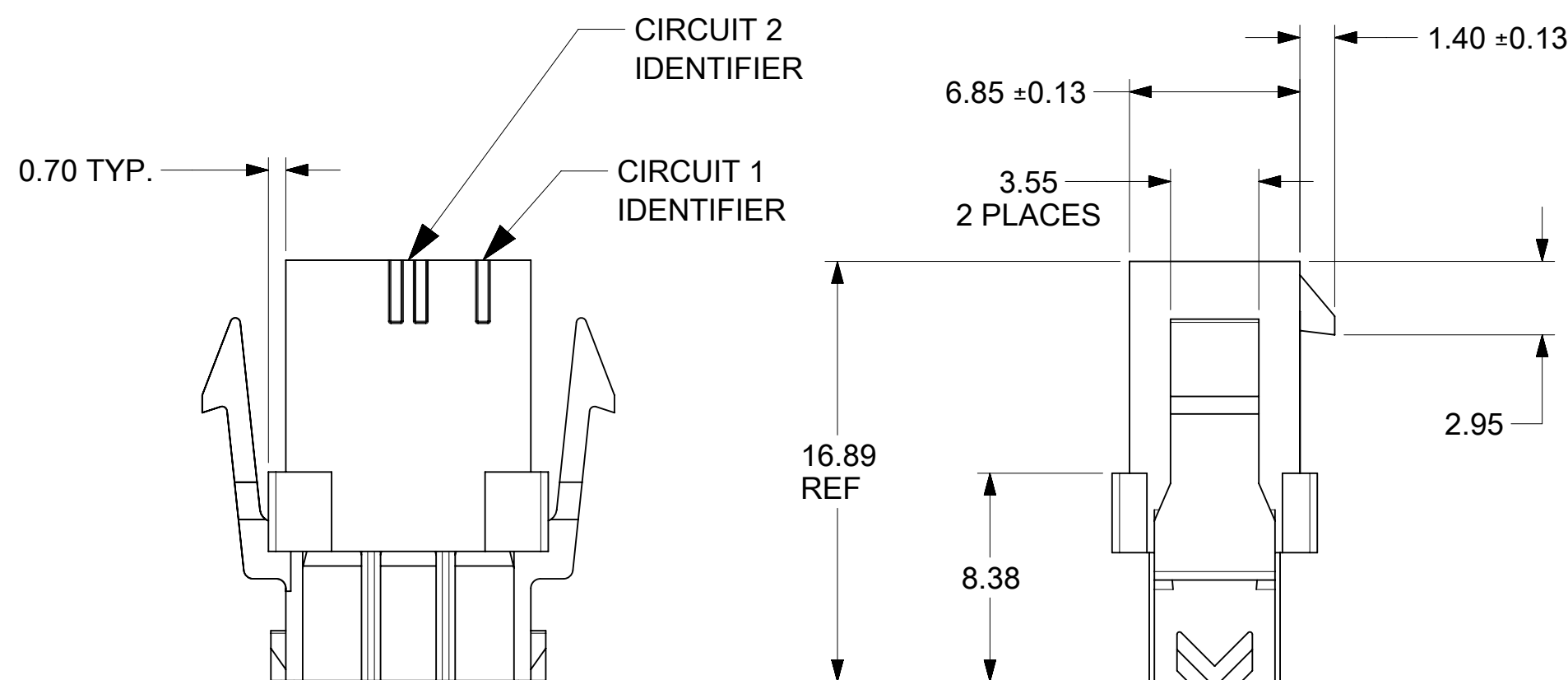


RECOMMENDED PANEL CUTOUT

SEE NOTES 7 AND 9



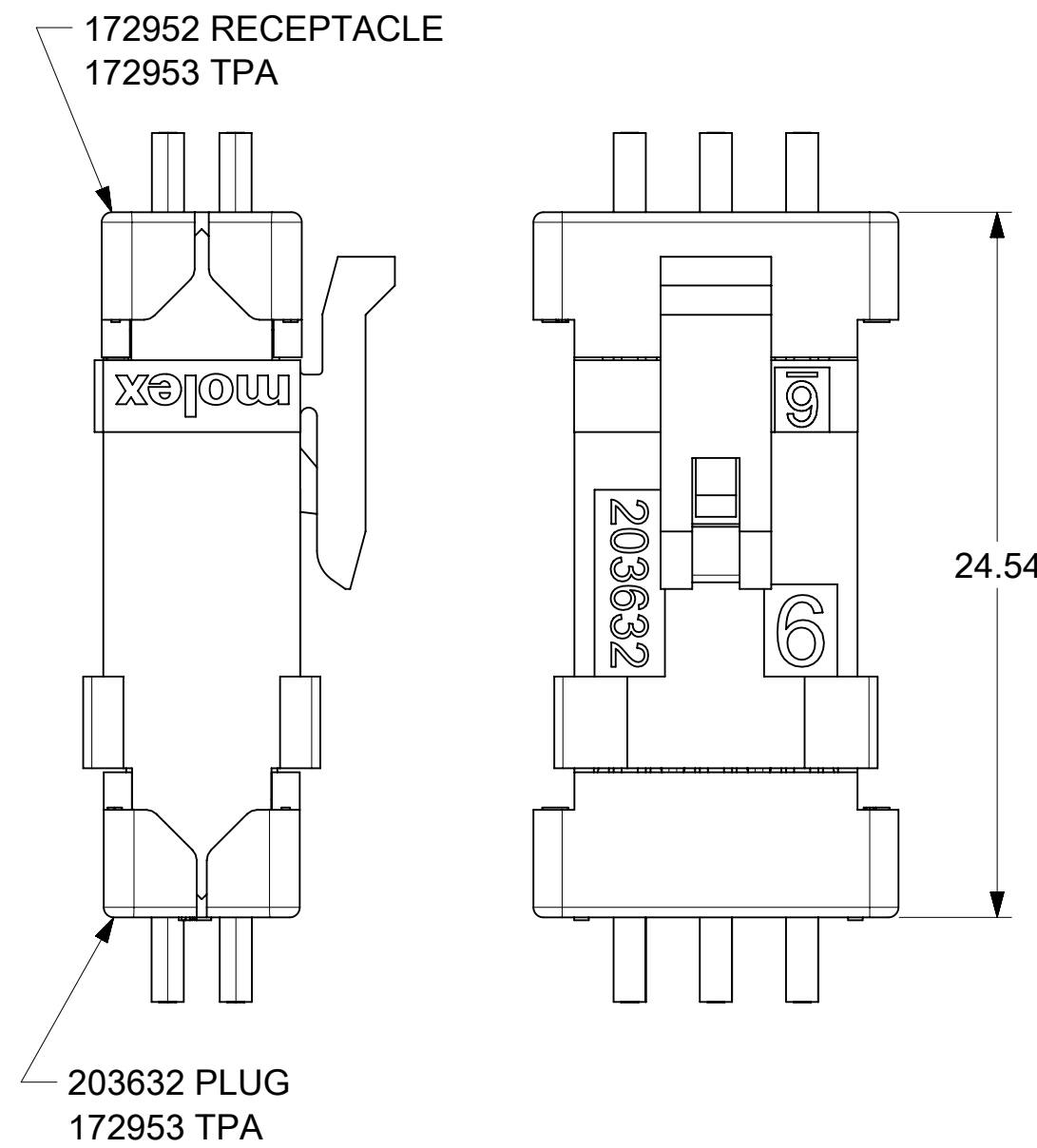
8 CIRCUIT WITH PANEL MOUNTS

- NOTES:
- 1) HOUSING MATERIAL:  
UNFILLED NYLON, UL94V-0, COLOR-BLACK, (LOW HALOGEN)
  - 2) FINISH: N/A
  - 3) PRODUCT SPECIFICATION: PS-43045
  - 4) PACKAGING SPECIFICATION: 2036320000-PK
  - 5) THIS HOUSING MATES WITH MICRO-FIT 172952 TPA RECEPTACLE OR 43025 STANDARD RECEPTACLE.
  - 6) THIS HOUSING TO BE USED WITH MOLEX MALE TERMINAL 43031-5\*\*\*
  - 7) DESIGNED FOR 1.40 MINIMUM TO A 2.54 MAXIMUM THICK PANEL OR PRINTED CIRCUIT BOARD.
  - 8) SEE SECTION "F"- "F" FOR TERMINAL ORIENTATION IN HOUSING. TERMINALS IN LOWER ROW ARE INSERTED 180° FROM THE UPPER ROW.
  - 9) PANEL MOUNT FEATURES MUST LOCK ON SIDE OPPOSITE PUNCH SIDE FOR OPTIMUM RETENTION.
  - 10) PART CONFORMS TO CLASS 'B' REQUIREMENTS OF COSMETIC SPECIFICATION PS-45499-002. SOME HOUSINGS MAY HAVE A SMALL GATE BLEMISH NEAR THE GATE LOCATION THAT DOES NOT AFFECT FUNCTIONALITY.
  - 11) TEXT ON PART IS FOR REFERENCE ONLY. TEXT AND TEXT LOCATION MAY VARY DEPENDING ON PART NUMBER AND/OR TOOLING.
  - 12) HOUSING DESIGNED FOR USE WITH 172953-xx01 TPA. NEVER USE WITHOUT TPA.
  - 13) INTENDED FOR USE WITH 20-30 AWG WIRES ONLY

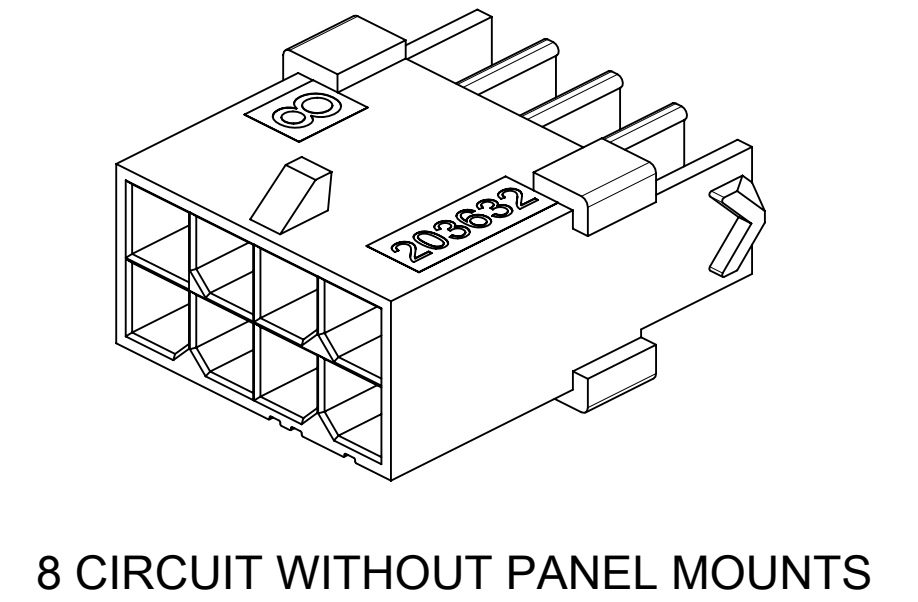
FUNCTIONAL SYMBOLS	THIS DRAWING CONTAINS INFORMATION THAT IS PROPRIETARY TO MOLEX ELECTRONIC TECHNOLOGIES, LLC AND SHOULD NOT BE USED WITHOUT WRITTEN PERMISSION		CURRENT REV DESC: ADD NOTE 13	
	DIMENSION UNITS	SCALE		
$\nabla_A = 0$	mm	4:1		
$\nabla_C = 0$	GENERAL TOLERANCES (UNLESS SPECIFIED)			
	ANGULAR TOL	± 0.5°		
DIVISIONAL SYMBOLS	4 PLACES	±	EC NO: 723726	2022/02/25
	3 PLACES	±	DRWN: MKIPPER	2022/10/12
	2 PLACES	± 0.25	CHK'D: MKIPPER	2022/10/13
	1 PLACE	± 0.35	APPR: FSMITH	
	0 PLACES	±	INITIAL REVISION:	
			DRWN: MKIPPER	2017/04/07
			APPR: FSMITH	2017/07/20
DRAFT WHERE APPLICABLE MUST REMAIN WITHIN DIMENSIONS	THIRD ANGLE PROJECTION	DRAWING	SERIES	MATERIAL NUMBER
		C-SIZE	203632	SEE CHART
				CUSTOMER
				GENERAL MARKET
				SHEET NUMBER
				1 OF 2

DOCUMENT STATUS	P1	RELEASE DATE	2022/10/13	13:32:55
-----------------	----	--------------	------------	----------

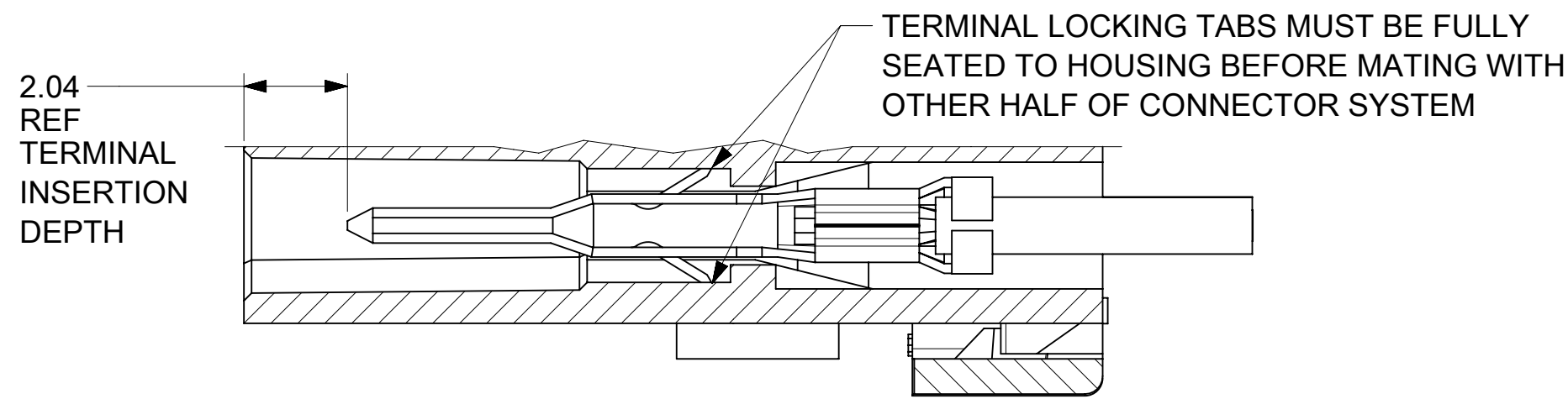
PART NUMBER	PART CHARACTERISTICS					
	NUMBER OF POSITION	PANEL MOUNT	DIM A	DIM B	DIM C	DIM D
2036320400	4	YES	6.85	3.00	7.21	10.89
2036320401		NO				
2036320600	6	YES	9.85	6.00	10.21	13.89
2036320601		NO				
2036320800	8	YES	12.85	9.00	13.21	16.89
2036320801		NO				
2036321000	10	YES	15.85	12.00	16.21	19.89
2036321001		NO				
2036321200	12	YES	18.85	15.00	19.21	22.89
2036321201		NO				
2036321400	14	YES	21.85	18.00	22.21	25.89
2036321401		NO				
2036321600	16	YES	24.85	21.00	25.21	28.89
2036321601		NO				
2036321800	18	YES	27.85	24.00	28.21	31.89
2036321801		NO				
2036322000	20	YES	30.85	27.00	31.21	34.89
2036322001		NO				
2036322200	22	YES	33.85	30.00	34.21	37.89
2036322201		NO				
2036322400	24	YES	36.85	33.00	37.21	40.89
2036322401		NO				



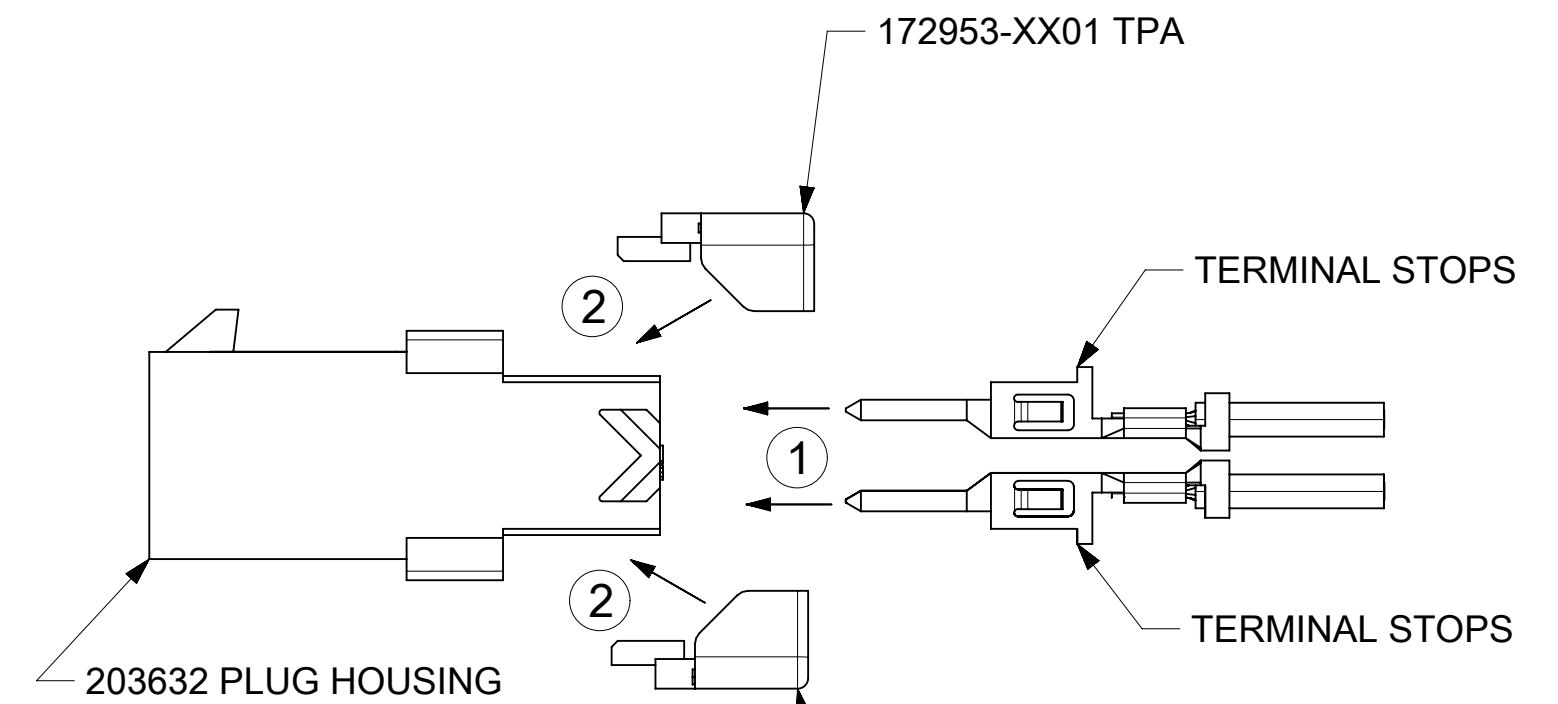
MATED MICRO-FIT CONNECTOR  
(WITH TPA INSTALLED)



8 CIRCUIT WITHOUT PANEL MOUNTS

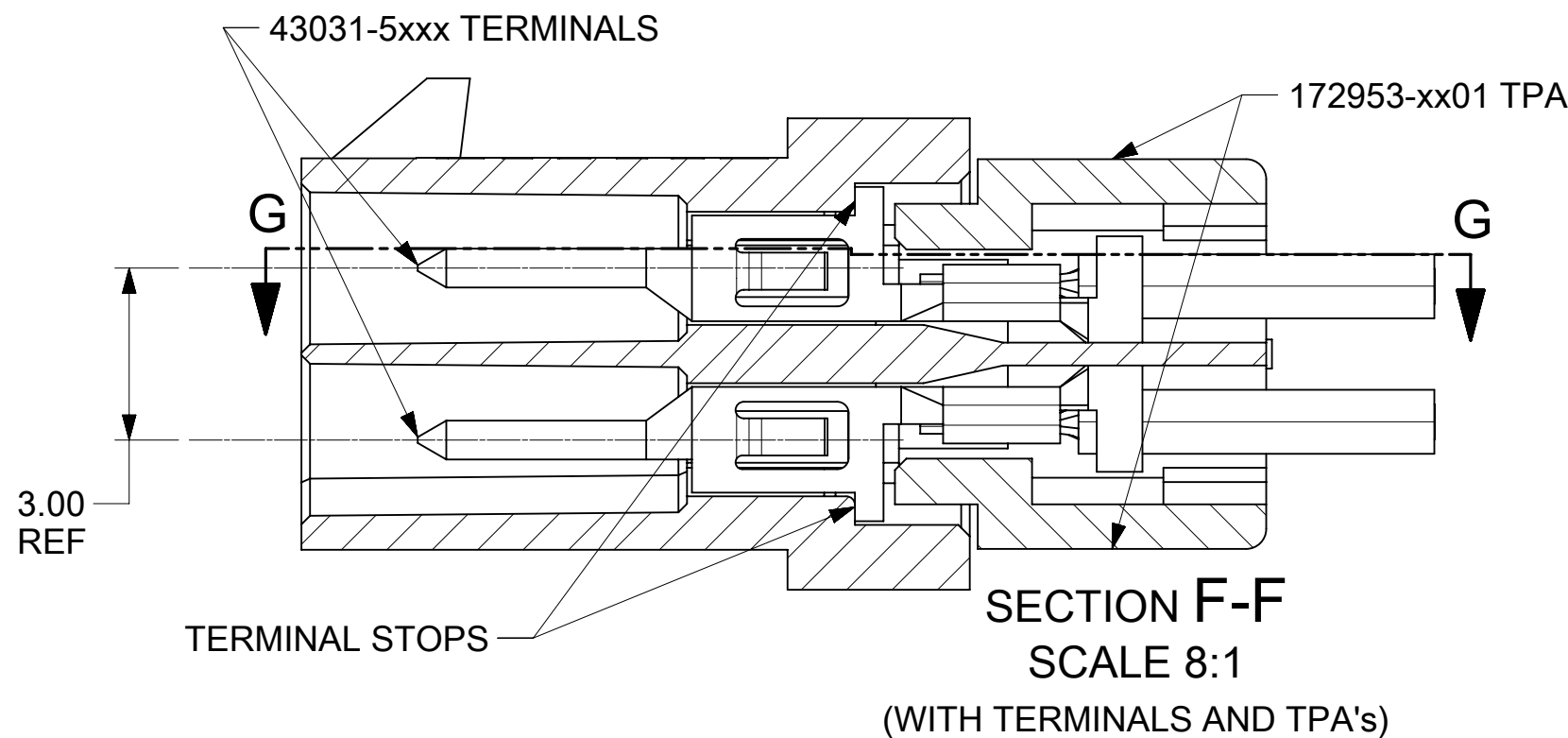


SECTION G-G  
SCALE 8:1



TERMINAL AND TPA  
ORIENTATION AND ASSEMBLY

NEVER USE WITHOUT TPA



SECTION F-F  
SCALE 8:1  
(WITH TERMINALS AND TPA's)

FUNCTIONAL SYMBOLS	THIS DRAWING CONTAINS INFORMATION THAT IS PROPRIETARY TO MOLEX ELECTRONIC TECHNOLOGIES, LLC AND SHOULD NOT BE USED WITHOUT WRITTEN PERMISSION		CURRENT REV DESC: ADD NOTE 13		
	DIMENSION UNITS	SCALE			
$F_A = 0$	mm	4:1			
$F_C = 0$	GENERAL TOLERANCES (UNLESS SPECIFIED)				
$F_P = 0$	ANGULAR TOL $\pm 0.5^\circ$				
DIVISIONAL SYMBOLS	4 PLACES	$\pm$	EC NO: 723726	2022/02/25	
	3 PLACES	$\pm$	DRWN: MKIPPER	2022/10/12	
	2 PLACES	$\pm 0.25$	CHK'D: MKIPPER	2022/10/13	
	1 PLACE	$\pm 0.35$	APPR: FSMITH		
	0 PLACES	$\pm$	INITIAL REVISION:		
DRAFT WHERE APPLICABLE MUST REMAIN WITHIN DIMENSIONS		THIRD ANGLE PROJECTION	DRAWING	SERIES	
			C-SIZE	203632	
DOCUMENT STATUS	P1	RELEASE DATE	2022/10/13 13:32:55		
		DOCUMENT NUMBER	2036320000-SD	DOC TYPE	DOC PART
		MATERIAL NUMBER	SEE CHART	CUSTOMER	GENERAL MARKET
				REVISION	A3
				SHEET NUMBER	2 OF 2

**molex**

MICROFIT (3.0) TPA DUAL ROW PLUG HOUSING  
WITH OPTIONAL PANEL MOUNT

PRODUCT CUSTOMER DRAWING