

MATERIALS AND FINISHES

BODY: BRASS
PLATED: NICKEL

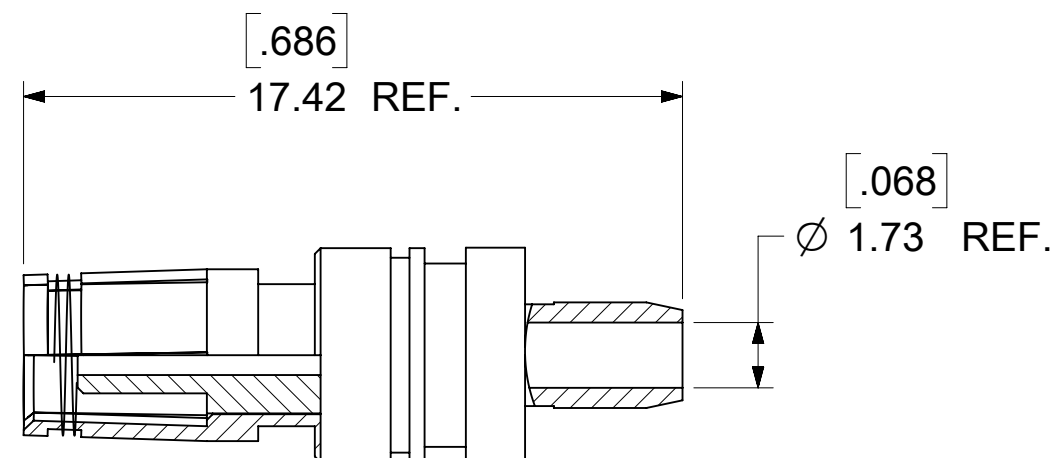
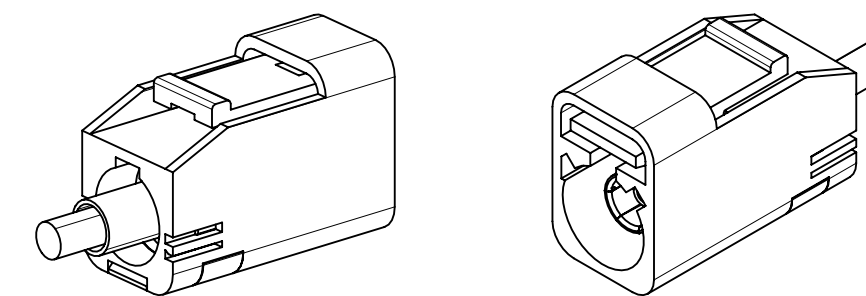
CENTER CONTACT: PHOSPOR BRONZE
PLATED: GOLD

CRIMP TUBE: BRASS
PLATED: NICKEL

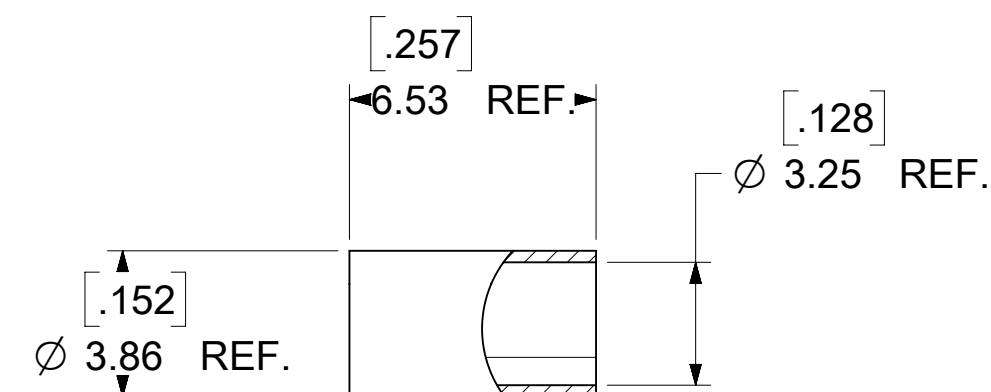
OUTER CASING: NYLON 66 OR EQUIVALENT
KEYING: SEE TABLE
COLOR: SEE TABLE

INSULATOR: PP

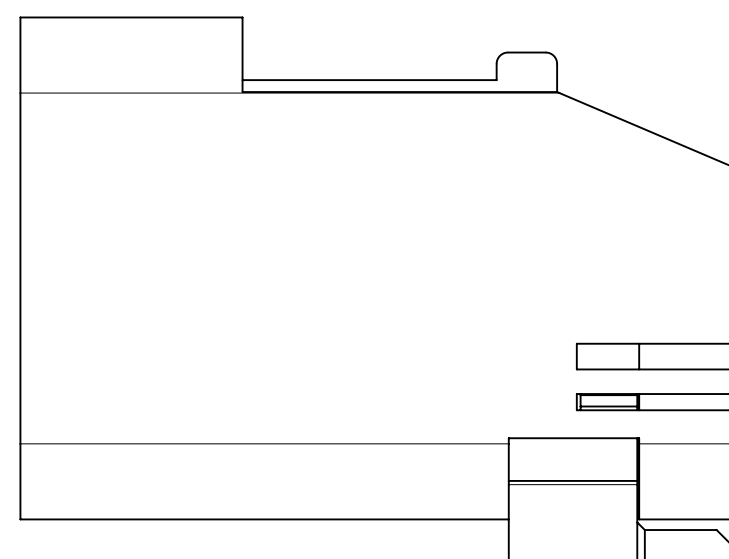
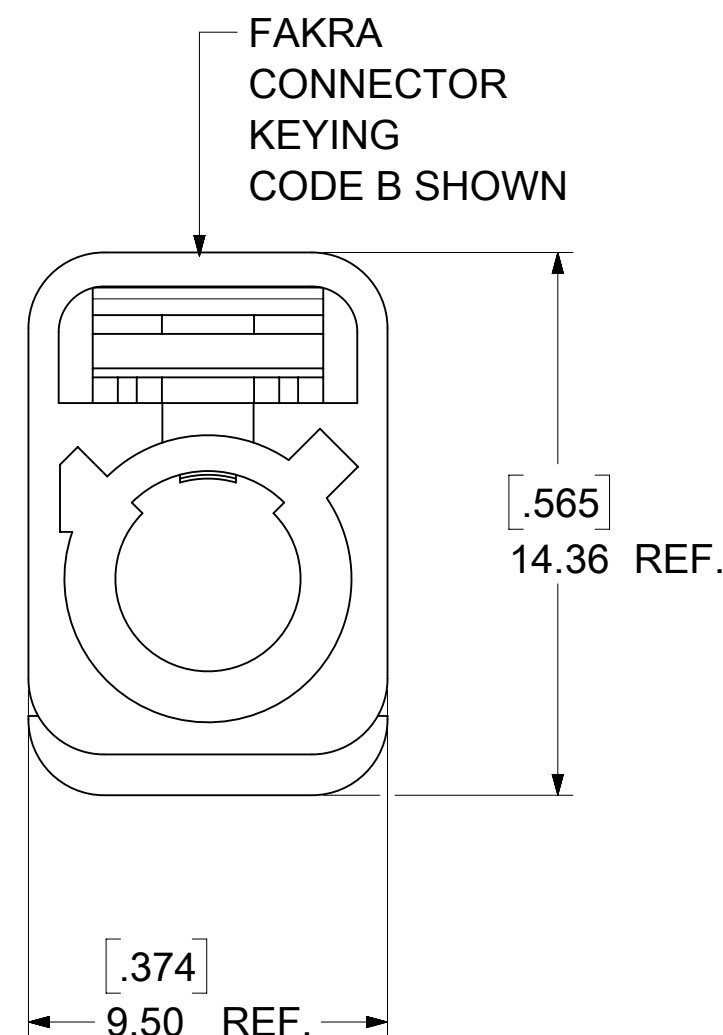
PACKAGING BY SINGLE BAG



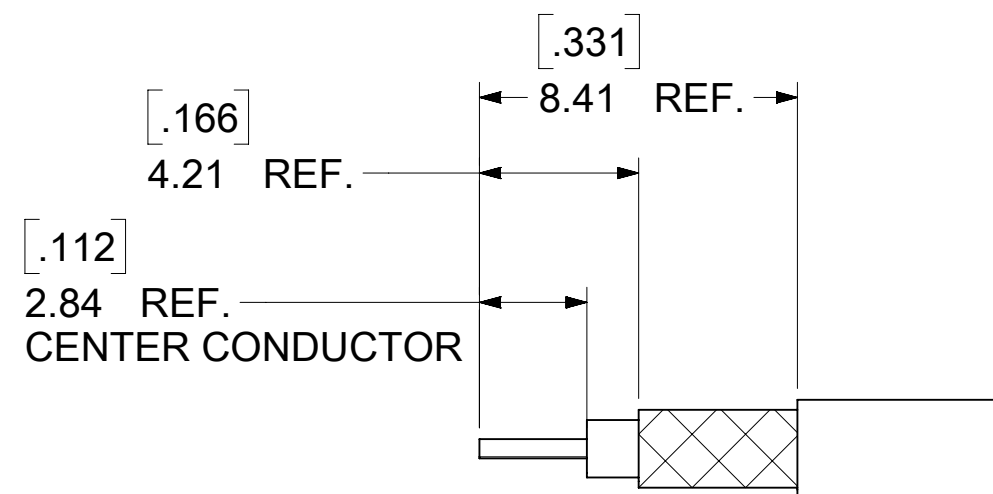
CENTER CONTACT
PART NO.: 89538-0781



CRIMP TUBE
PART NO.: 89613-1792



SECONDARY LOCK
(TPA)

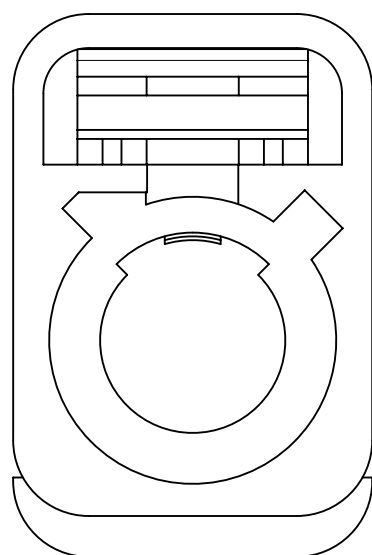


RECOMMENDED CABLE STRIP DIM.

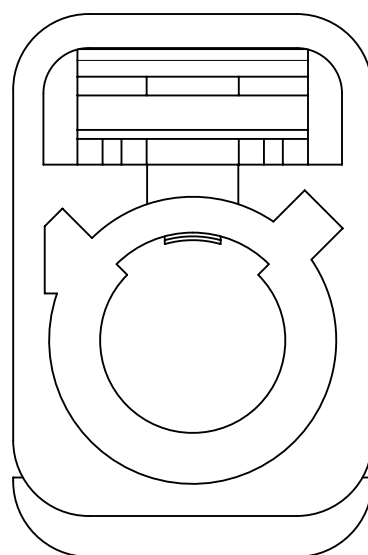
AS-73597-045	ASSEMBLY INSTYUCTION
PS-89675-331	PRODUCT SPECIFICATION
DIN 72594-1	INTERFACE SPECIFICATION
SPECIFICATION	DESCRIPTION

FUNCTIONAL SYMBOLS $\nabla_A = 0$ $\nabla_C = 0$ $\nabla_P = 0$	THIS DRAWING CONTAINS INFORMATION THAT IS PROPRIETARY TO MOLEX ELECTRONIC TECHNOLOGIES, LLC AND SHOULD NOT BE USED WITHOUT WRITTEN PERMISSION														
	DIMENSION UNITS	SCALE	CURRENT REV DESC: ADDED NOTE PER EWR # 15738-A												
	HYBRID	NTS													
	GENERAL TOLERANCES (UNLESS SPECIFIED)			EC NO: 744129								2023/03/23			
ANGULAR TOL ± 2.0°			DRWN: ELIN								2023/03/31				
4 PLACES ±			CHK'D: YCHENG								2023/03/31				
3 PLACES ±			APPR: YCHENG								2023/03/31				
2 PLACES ±			INITIAL REVISION:								DOCUMENT NUMBER		DOC TYPE	DOC PART	REVISION
1 PLACE ±			DRWN: ELIN								SD-73403-626		PSD	001	A3
0 PLACES ±			APPR: MHUANG								MATERIAL NUMBER		CUSTOMER		SHEET NUMBER
DRAFT WHERE APPLICABLE MUST REMAIN WITHIN DIMENSIONS			THIRD ANGLE PROJECTION		DRAWING		SERIES		SEE TABLE		GENERAL MARKET		1 OF 3		

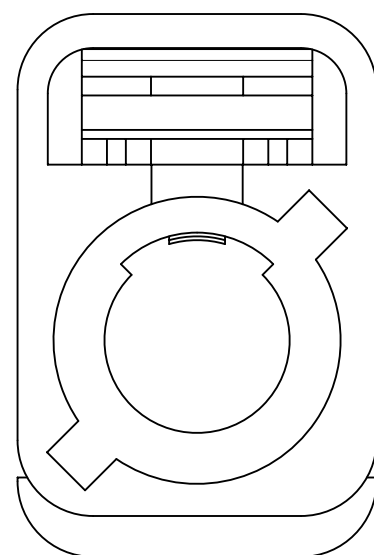
DOCUMENT STATUS	P1	RELEASE DATE	2023/03/31	06:44:55
-----------------	----	--------------	------------	----------



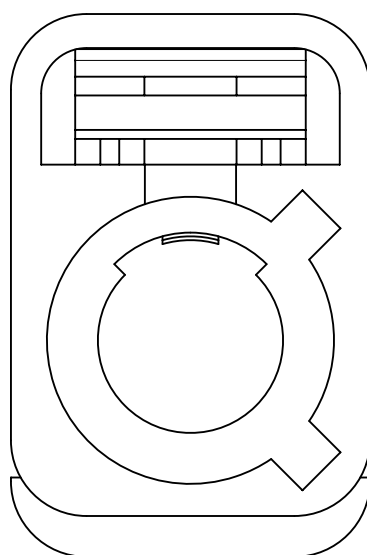
CODE A



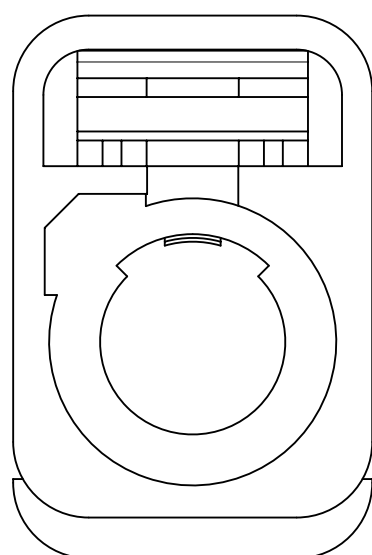
CODE B



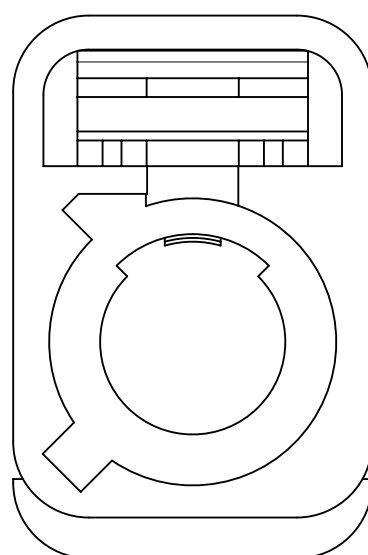
CODE C



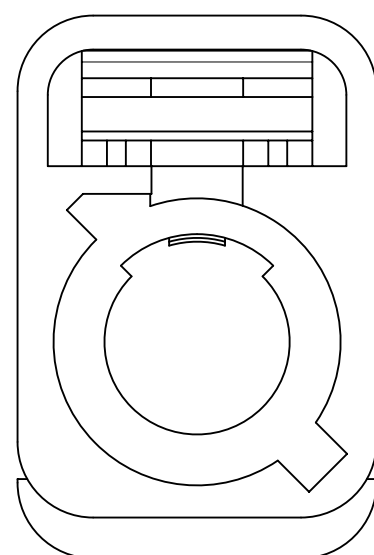
CODE D



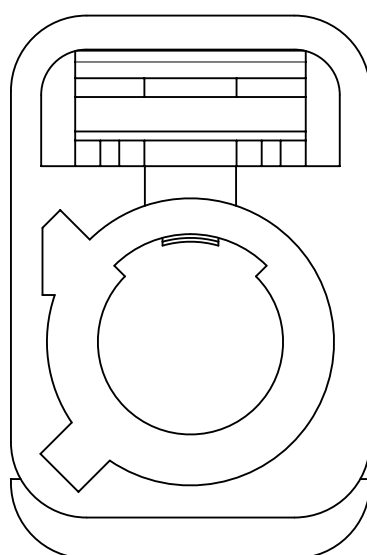
CODE E



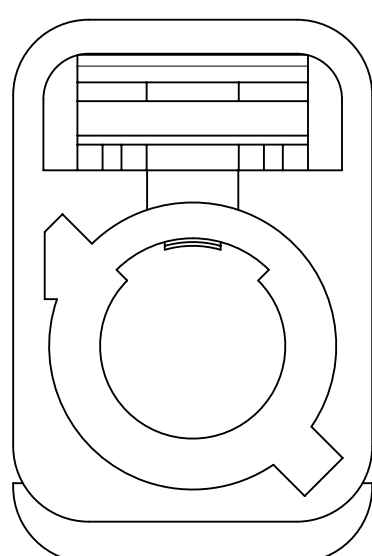
CODE F



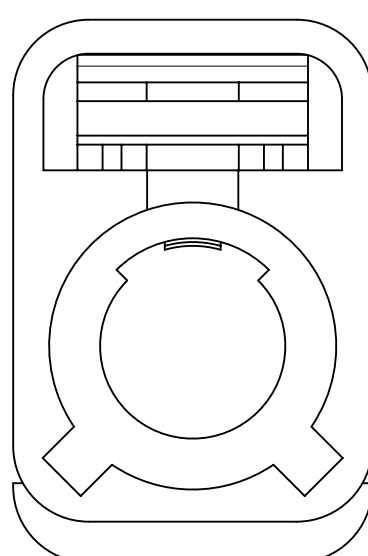
CODE G



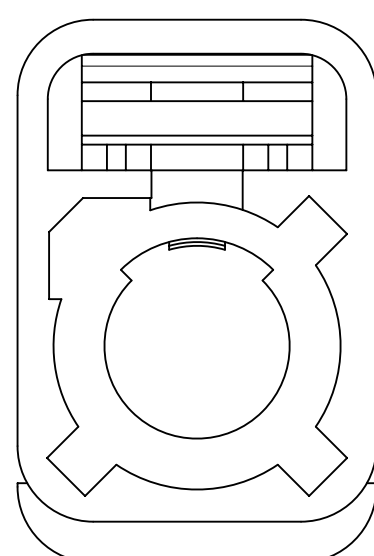
CODE H



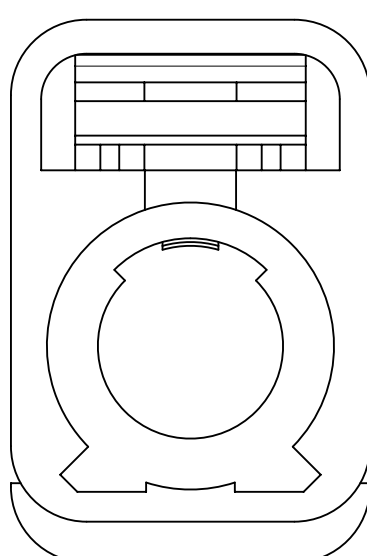
CODE I



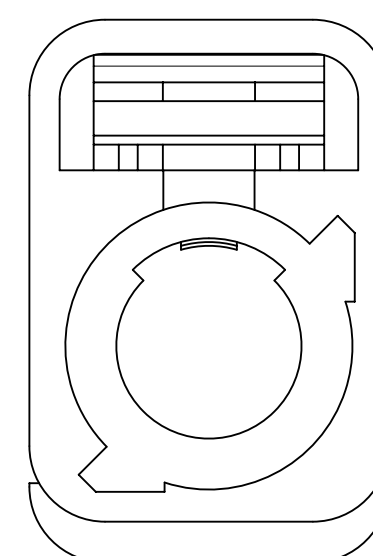
CODE K



CODE Z



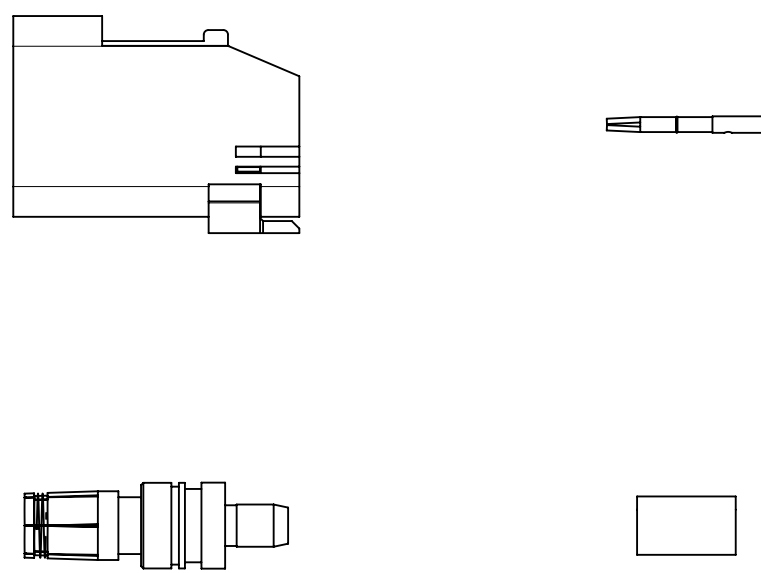
CODE M
CODE L



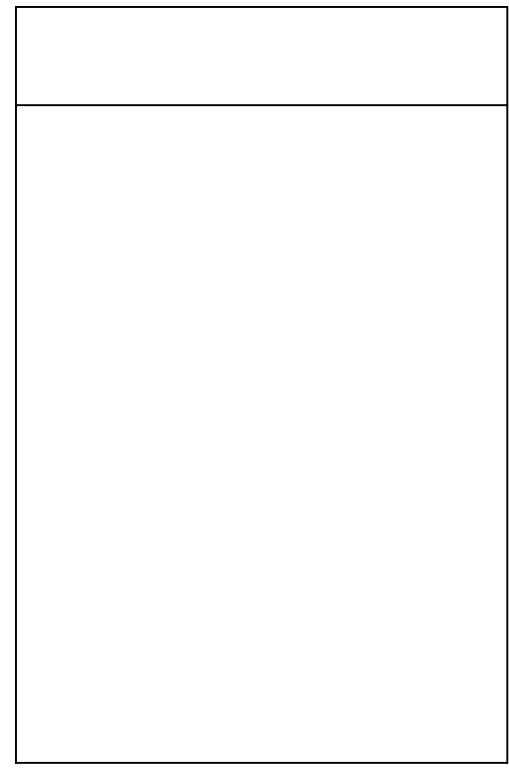
CODE N

N	PASTEL GREEN	73403-6273	SINGLE BAG	73403-8973	BULK PACK
M	PASTEL ORANGE	73403-6272		73403-8982	
L	CARMINE RED	73403-6271		73403-8981	
Z	WATER BLUE	73403-6270		73403-8980	
K	CURRY YELLOW	73403-6269		73403-8979	
I	BEIGE	73403-6268		73403-8978	
H	VIOLET	73403-6267		73403-8977	
G	GRAY	73403-6266		73403-8976	
F	BROWN	73403-6265		73403-8975	
E	GREEN	73403-6264		73403-8974	
D	BORDEAUXVILLOET	73403-6263		73403-8973	
C	BLUE	73403-6262		73403-8972	
B	SINGLE WHITE	73403-6261		73403-8971	
A	BLACK	73403-6260	73403-8970		
KEYING CODE	COLOR	PART NO.	PACKAGE	PART NO.	PACKAGE

THIS DRAWING CONTAINS INFORMATION THAT IS PROPRIETARY TO MOLEX ELECTRONIC TECHNOLOGIES, LLC AND SHOULD NOT BE USED WITHOUT WRITTEN PERMISSION									
FUNCTIONAL SYMBOLS	DIMENSION UNITS	SCALE	CURRENT REV DESC: ADDED NOTE PER EWR # 15738-A						
$\frac{F}{A} = 0$	HYBRID	NTS	<p>molex</p> <p>SMB PLUG FAKRA STR. 50 OHMS FOR RG316 FAKRA -PC</p> <p>PRODUCT CUSTOMER DRAWING</p> <p>DOCUMENT NUMBER: SD-73403-626 DOC TYPE: PSD DOC PART: 001 REVISION: A3</p> <p>MATERIAL NUMBER: SEE TABLE CUSTOMER: GENERAL MARKET SHEET NUMBER: 2 OF 3</p>						
$\frac{E}{C} = 0$	GENERAL TOLERANCES (UNLESS SPECIFIED)								
$\frac{E}{P} = 0$	ANGULAR TOL ± 2.0°								
DIVISIONAL SYMBOLS	4 PLACES ±		EC NO: 744129	2023/03/23					
	3 PLACES ±		DRWN: ELIN	2023/03/31					
	2 PLACES ±		CHK'D: YCHENG	2023/03/31					
	1 PLACE ±		APPR: YCHENG	2023/03/31					
	0 PLACES ±		INITIAL REVISION:						
			DRWN: ELIN	2012/12/05					
			APPR: MHUANG	2013/07/10					
	DRAFT WHERE APPLICABLE MUST REMAIN WITHIN DIMENSIONS	THIRD ANGLE PROJECTION	DRAWING	SERIES					
			C-SIZE	73403					



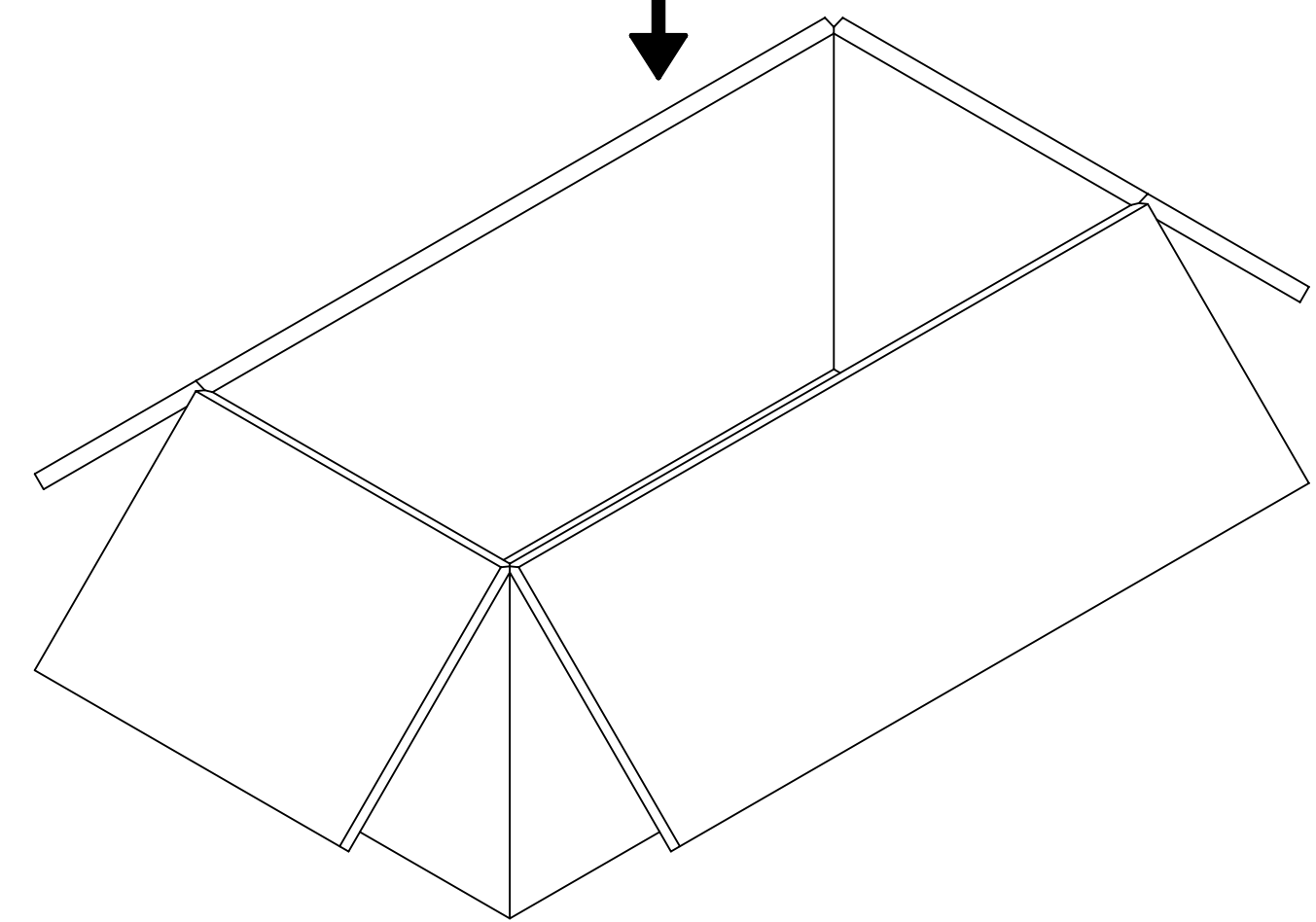
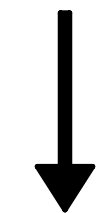
SHROUD WITH TPA x1
 CRIMP TUBE x1
 SMB SUB ASSY x1
 CENTER CONTACT x1



1 SET PER BAG
 BAG P/N: 89707-0317



50 SET PER BAG
 BAG P/N: 89707-0174
 6" x 12"



500 SET PER CARTON BOX
 P/N: 96707-0002
 367*176*188mm

FUNCTIONAL SYMBOLS $\frac{F}{A} = 0$ $\frac{F}{C} = 0$ $\frac{F}{P} = 0$	THIS DRAWING CONTAINS INFORMATION THAT IS PROPRIETARY TO MOLEX ELECTRONIC TECHNOLOGIES, LLC AND SHOULD NOT BE USED WITHOUT WRITTEN PERMISSION										
	DIMENSION UNITS	SCALE	CURRENT REV DESC: ADDED NOTE PER EWR # 15738-A								
	HYBRID	NTS									
	GENERAL TOLERANCES (UNLESS SPECIFIED)			EC NO: 744129							2023/03/23
ANGULAR TOL $\pm 2.0^\circ$			DRWN: ELIN							2023/03/31	
4 PLACES \pm			CHK'D: YCHENG							2023/03/31	
3 PLACES \pm			APPR: YCHENG							2023/03/31	
2 PLACES \pm			INITIAL REVISION:							DOCUMENT NUMBER	
1 PLACE \pm			DRWN: ELIN							SD-73403-626	
0 PLACES \pm			APPR: MHUANG							PSD 001 A3	
DRAFT WHERE APPLICABLE MUST REMAIN WITHIN DIMENSIONS			THIRD ANGLE PROJECTION		DRAWING		SERIES		MATERIAL NUMBER		
					C-SIZE		73403		SEE TABLE		
							GENERAL MARKET		CUSTOMER		
									SHEET NUMBER		
									3 OF 3		