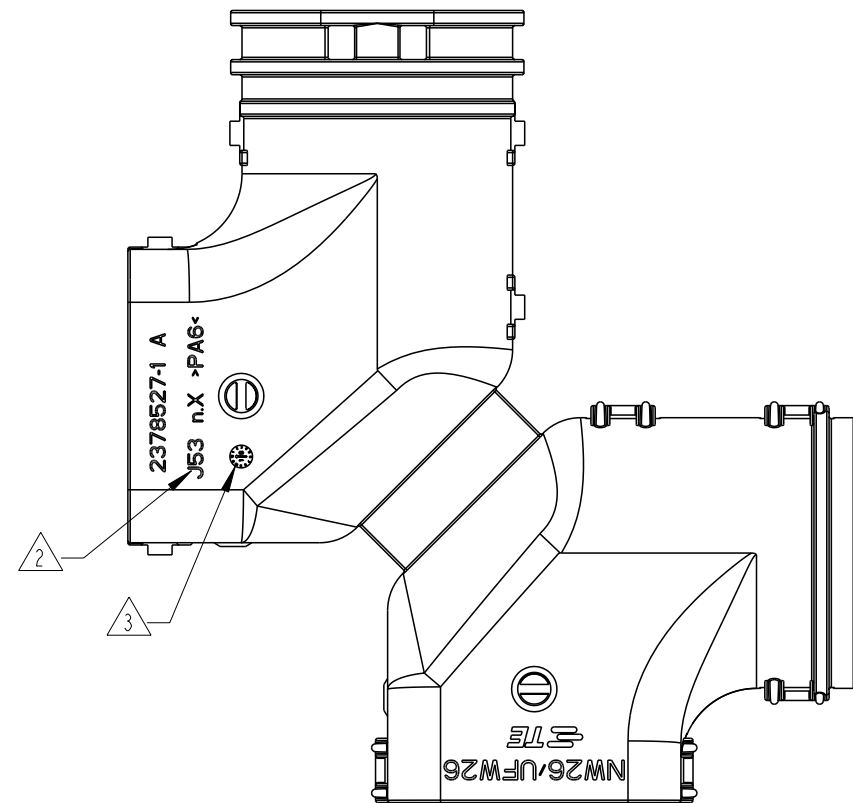
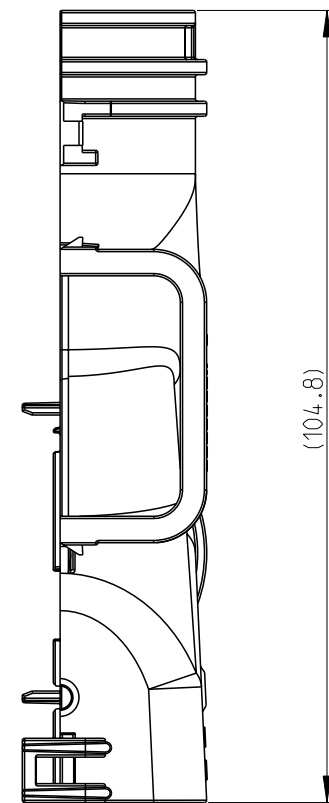
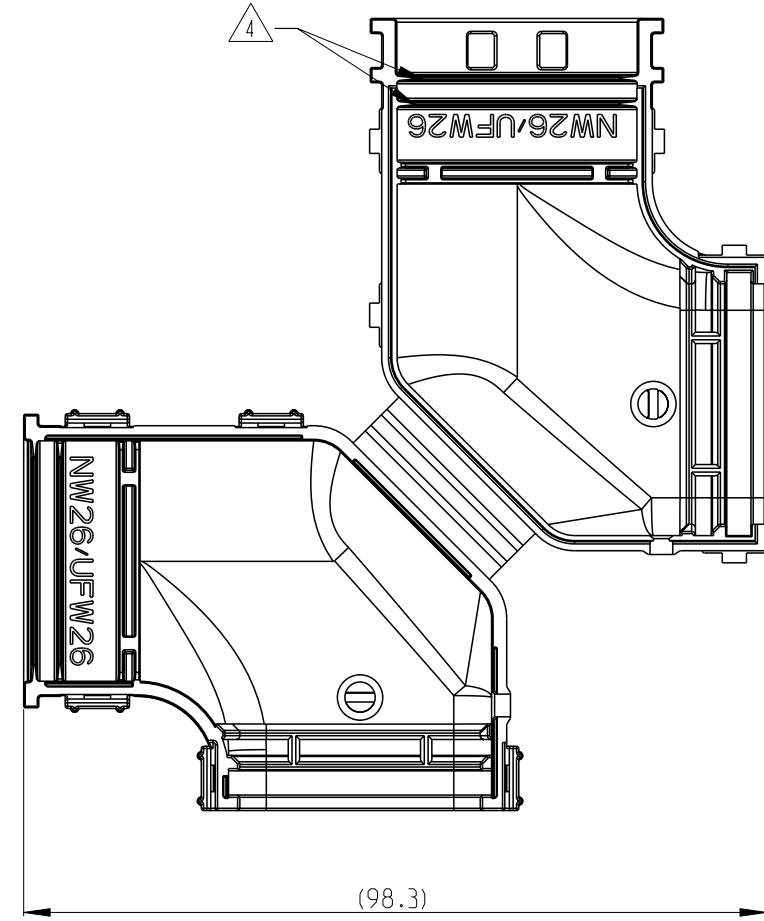
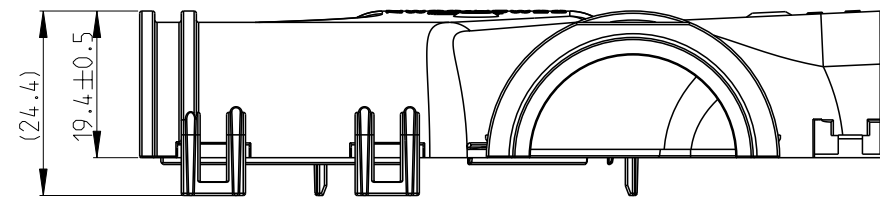


REVISIONS

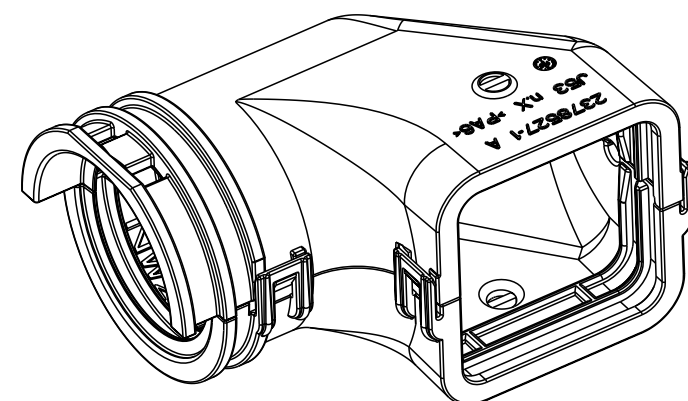
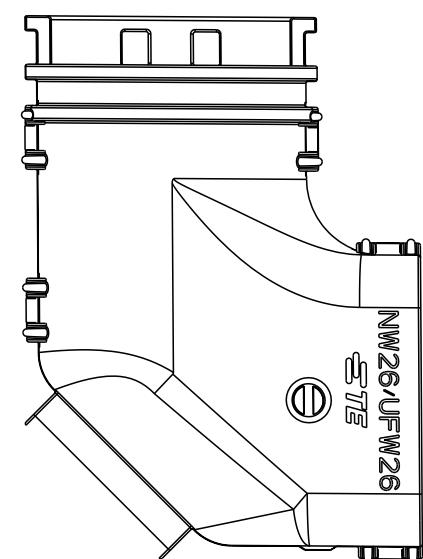
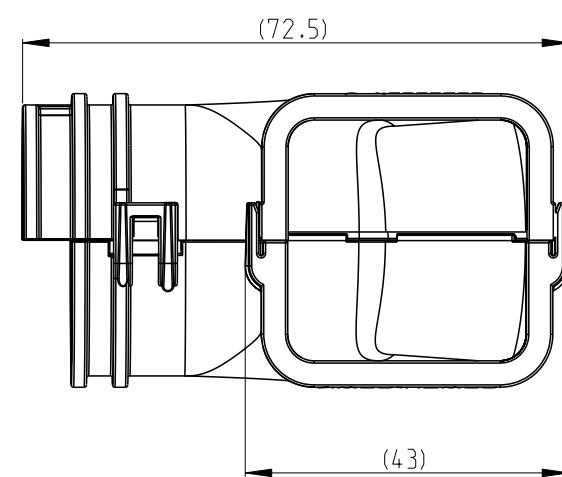
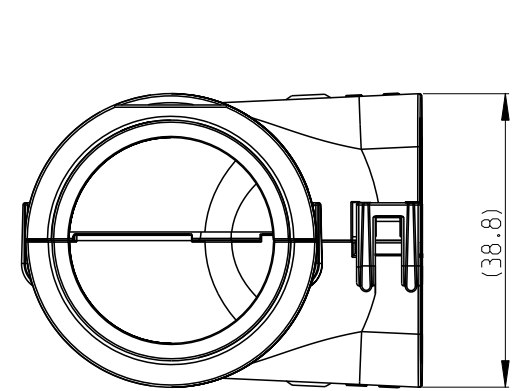
P	LTR	DESCRIPTION	DATE	DWN	APVD
A		INITIAL RELEASE	15SEP2020	V.T	I.Y
A1		ECR-20-017884	11MAR2021	V.T	I.Y



NOTES:

1. MATERIAL: PA6 COLOUR:BLACK.
2. MANUFACTURING LOCATION.
3. DATE CODE.
4. FOR CORRUGATED TUBE: NW 26&UFW 26.
5. USED ON PLUG P/N: -2366494- AND TAB P/N: 2366509-.

CLOSED (MOUNTED) CONDITION AS SHOWN



THIS DRAWING IS A CONTROLLED DOCUMENT.

DIMENSIONS:	TOLERANCES UNLESS OTHERWISE SPECIFIED:
mm	
	0 PLC ±0.30
	1 PLC ±0.25
	2 PLC ±0.15
	3 PLC ±
	4 PLC ±
	ANGLES ±2°
	FINISH -

MATERIAL SEE NOTES

DWN	V. TANG	14SEP2020
CHK	E. JIANG	15SEP2020
APVD	I. YIN	15SEP2020
PRODUCT SPEC	108-160083	
APPLICATION SPEC	-	
WEIGHT	-	

TE Connectivity		2378527-1 PART NO.	
NAME 90 DEGREE BACKSHELL NTS 48P SERIES			
SIZE	CAGE CODE	DRAWING NO	RESTRICTED TO
A2	00779	C-2378527	

CUSTOMER DRAWING	SCALE 1:1	SHEET 1 OF 1	REV A1
------------------	-----------	--------------	--------