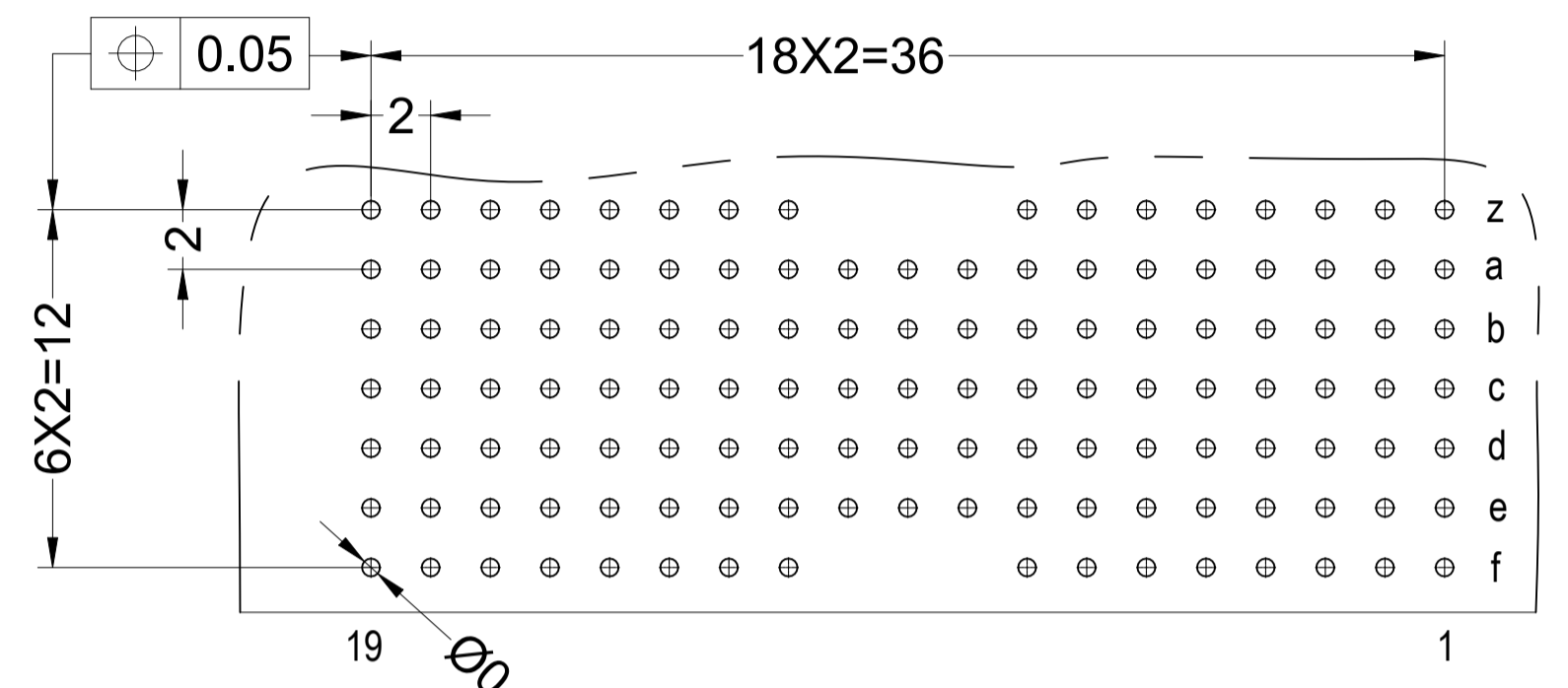
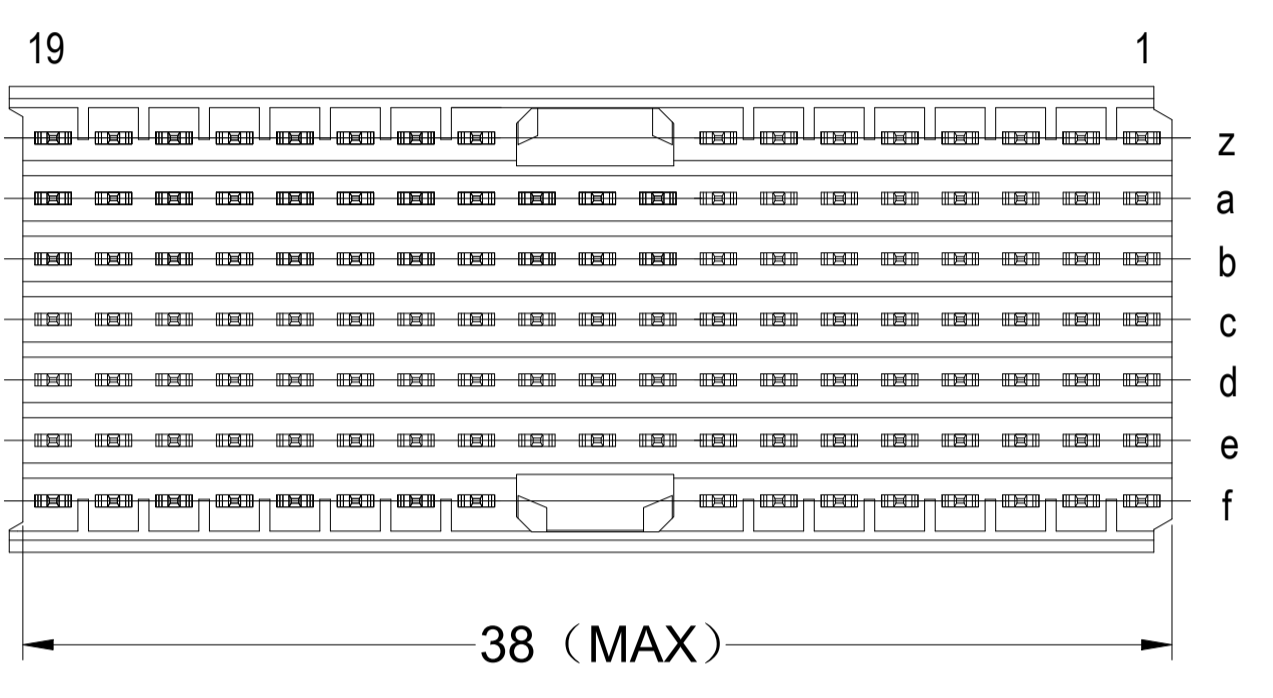
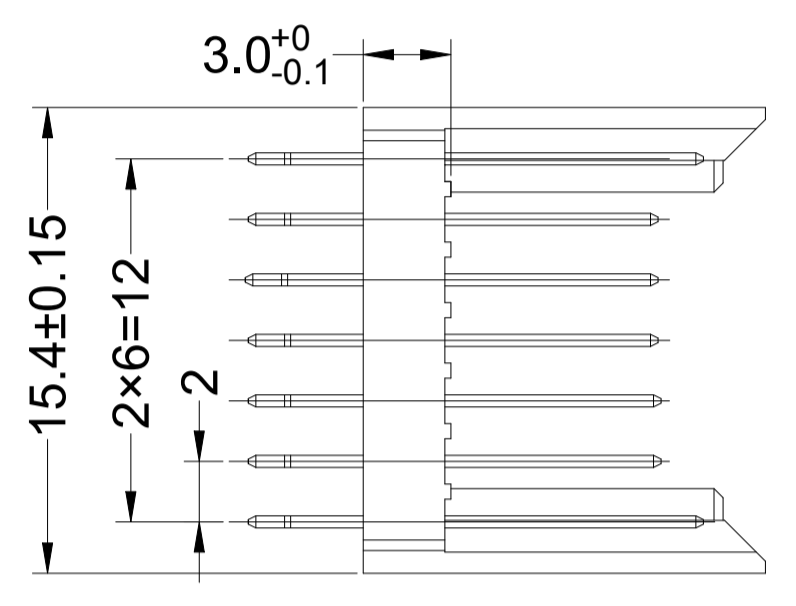
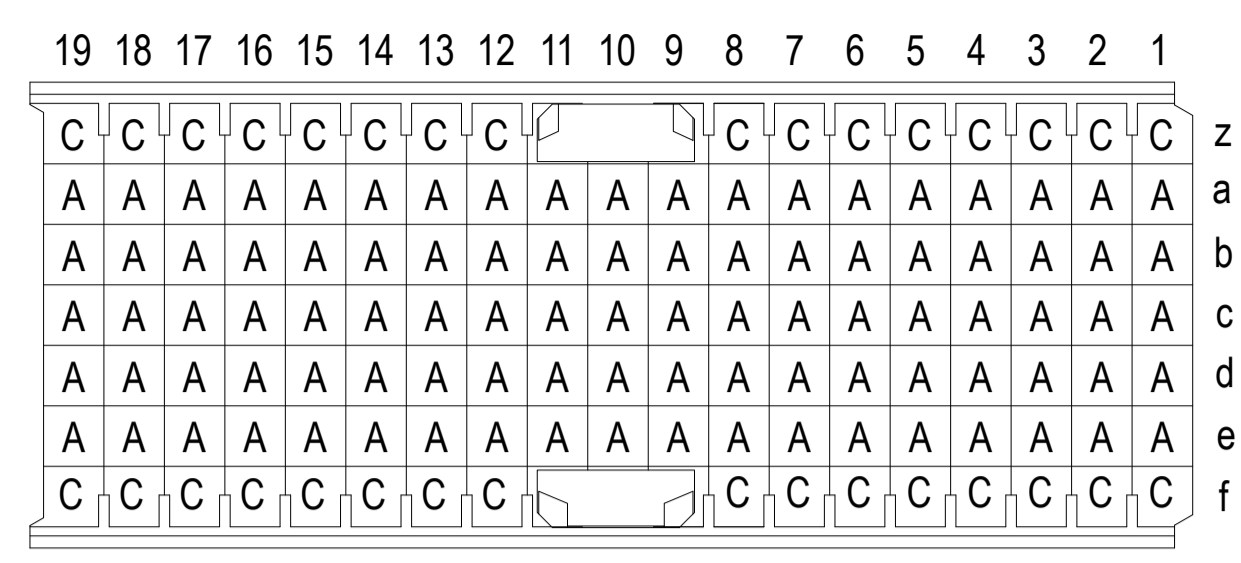
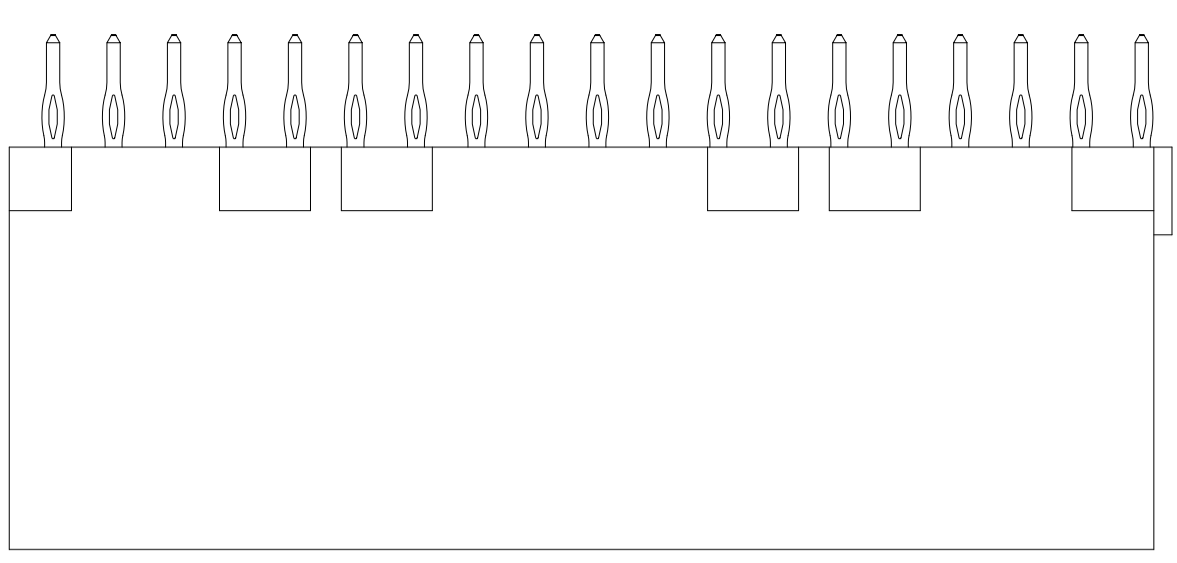
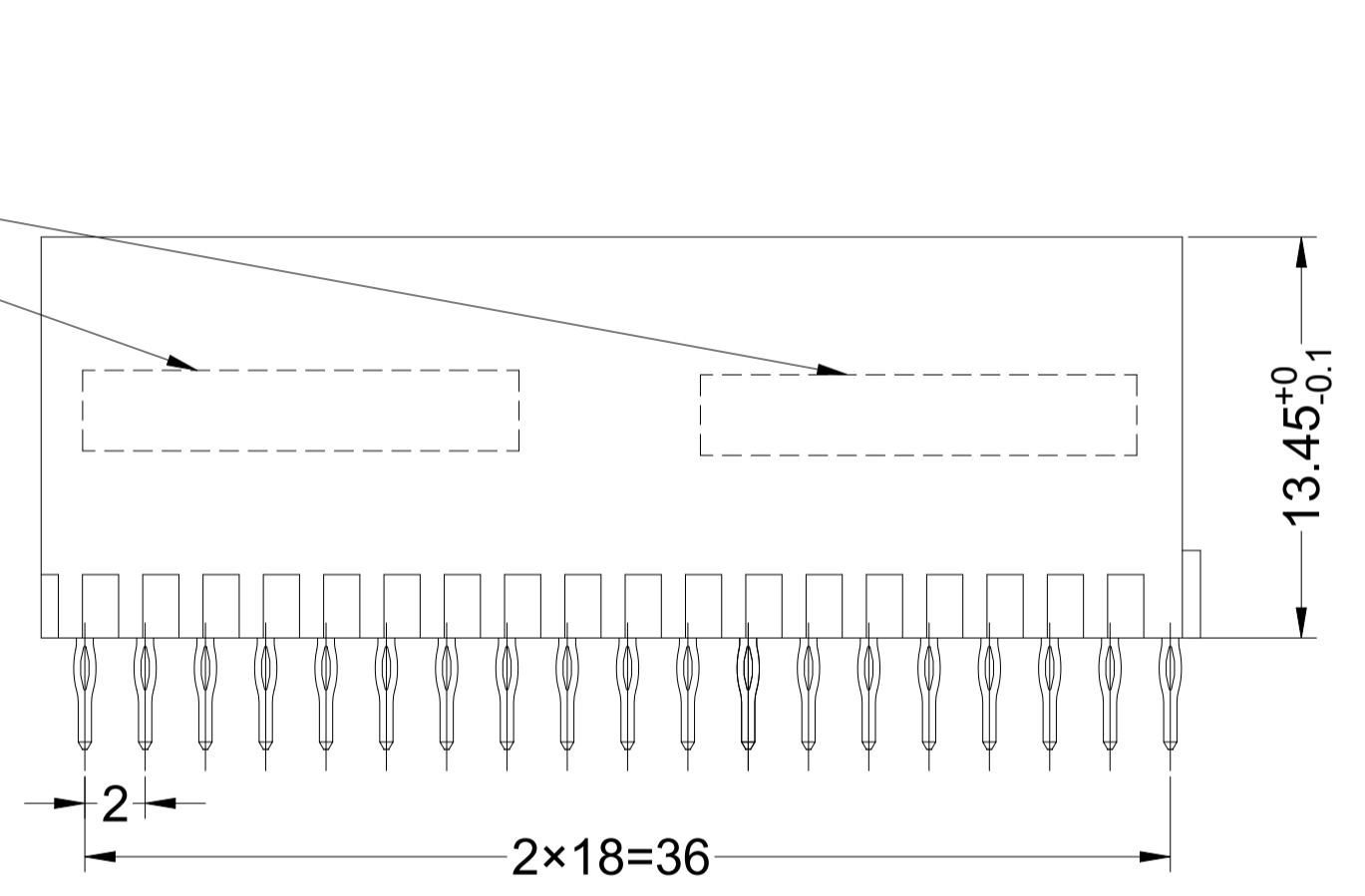
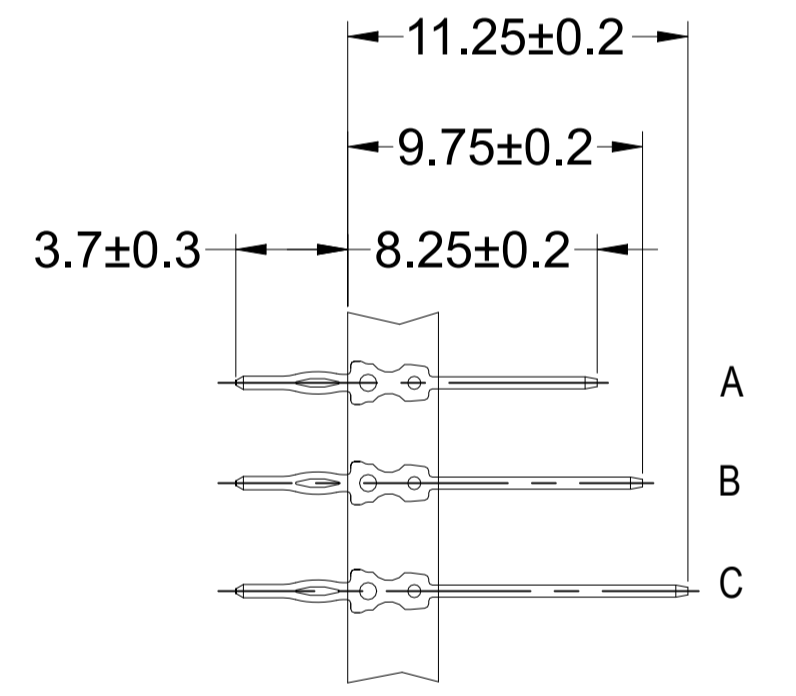


| REVISIONS | | | | |
|-----------|-----------------|-----------|----|-------|
| REV | DESCRIPTION | DATE | BY | APP'D |
| A | INITIAL DRAWING | 18OCT2021 | TL | HL |



RECOMMEND PCB-HOLE LAYOUT
COMPONENT SIDE SHOWN
TOLERANCE ±0.05



- 1 MATERIAL:
CONTACT: COPPER ALLOY.
HOUSING: GLASS-FILLED POLYESTER.
- 2 GENERAL PLATING SPECIFICATION: UNDERPLATING (ENTIRE CONTACT): 1.27µm MIN NICKEL AND ACTION PIN: 0.5µm MIN TIN.
FOR PLATING OF MATING SURFACES SEE APPLICABLE SPECIFICATION REFERENCE FOR EACH DASH NUMBER.
- 3 CONFORMS TO ALL TESTING ACCORDING TO IEC 61076-4-101 PERFORMANCE LEVEL 2.
- 4 CONNECTOR MARKED WITH PART NUMBER AND DATE CODE.

| | |
|--------|-------------|
| 2/3 | 2392196-1 |
| FINISH | PART NUMBER |

| | | | | | |
|--|--|------------------------|--|--|--|
| THIS DRAWING IS A CONTROLLED DOCUMENT. | | DIN TONY LI 27MAY2021 | | NAME MALE ASSEMBLY, Z-PACK 2mm HM, 127P TYPE A/B EON | |
| DIMENSIONS: mm | | CHK ALEX XU 27MAY2021 | | APPROD HOPE LU 27MAY2021 | |
| TOLERANCES UNLESS OTHERWISE SPECIFIED: | | PRODUCT SPEC 108-19082 | | APPLICATION SPEC 114-160149 | |
| 0-PLC ± | | SIZE A1 | | SCALE 4:1 | |
| 1-PLC ±0.2 | | CAGE CODE 00779 | | SHEET 1 of 1 | |
| 2-PLC ± | | DRAWING NO. 2392196 | | REV A | |
| 3-PLC ± | | WEIGHT 0 | | CUSTOMER DRAWING | |
| 4-PLC ± | | RESTRICTED TO | | | |
| ANGLES ± | | | | | |
| MATERIAL 1 | | FINISH SEE TABLE | | | |