

## Current monitoring - MCR-SL-S- 16-SP- 24 - 2864464

Please be informed that the data shown in this PDF Document is generated from our Online Catalog. Please find the complete data in the user's documentation. Our General Terms of Use for Downloads are valid (<http://phoenixcontact.com/download>)




MCR contactor, for sinusoidal alternating currents 0 ... 16 A AC/ 1 PDT

### Your advantages

- Adjustable switching hysteresis
- Relay PDT output
- 3-way isolation
- Adjustable operating/closed circuit current behavior
- Switching point can be freely selected in the measuring range of 0 16 A AC



### Key Commercial Data

Packing unit	1 pc
GTIN	 4 017918 904456
GTIN	4017918904456

### Technical data

#### Note

Utilization restriction	EMC: class A product, see manufacturer's declaration in the download area
-------------------------	---

#### Dimensions

Width	22.5 mm
Height	99 mm
Depth	114.5 mm

#### Ambient conditions

Ambient temperature (operation)	-20 °C ... 65 °C
Ambient temperature (storage/transport)	-40 °C ... 85 °C (non-condensing)
Maximum altitude	≤ 2000 m

# Current monitoring - MCR-SL-S- 16-SP- 24 - 2864464

## Technical data

### Ambient conditions

Degree of protection	IP20
Noise immunity	EN 61000-6-2 When being exposed to interference, there may be minimal deviations.

### Input data

Input	Current measuring input
Input current range	0 A AC ... 16 A
Impulse form	Sine
Overload capacity	2 x I <sub>N</sub> (continuous)
Nominal frequency f <sub>N</sub>	50 Hz
	60 Hz
Frequency measuring range	45 Hz ... 65 Hz

### Switching output

Output name	Relay output
Contact type	1 PDT
Contact material	AgSnO, hard gold-plated
Maximum switching voltage	30 V AC
	36 V DC
	250 V AC (when the gold layer is destroyed)
Limiting continuous current	50 mA (for gold layer, 30 V AC/ 36 V DC)
	2 A (in case of a destroyed gold layer, 250 V AC)
Setting range of the response delay	typ. 0.1 s ... 10 s (Adjustable using a potentiometer)

### Power supply

Supply voltage range	20 V DC ... 30 V DC
Max. current consumption	< 30 mA

### Connection data

Connection method	Screw connection
Stripping length	8 mm
Screw thread	M3
Conductor cross section solid	0.2 mm <sup>2</sup> ... 2.5 mm <sup>2</sup>
Conductor cross section flexible	0.2 mm <sup>2</sup> ... 2.5 mm <sup>2</sup>
Conductor cross section AWG	24 ... 14

### General

Maximum temperature coefficient	< 0.02 %/K
Step response (10-90%)	40 ms
Overvoltage category	III
Degree of pollution	2
Rated insulation voltage	300 V AC (to earth)
Test voltage input/output	3.5 kV (50 Hz, 1 min.)
Test voltage input/power supply	3.5 kV (50 Hz, 1 min.)

## Current monitoring - MCR-SL-S- 16-SP- 24 - 2864464

### Technical data

#### General

Electromagnetic compatibility	Conformance with EMC directive
Noise emission	EN 61000-6-4
Noise immunity	EN 61000-6-2 When being exposed to interference, there may be minimal deviations.
Color	green
Housing material	Polyamide PA non-reinforced
Mounting position	any
Conformance	CE-compliant

#### Standards and Regulations

Electromagnetic compatibility	Conformance with EMC directive
Noise emission	EN 61000-6-4
Connection in acc. with standard	CUL
Conformance	CE-compliant

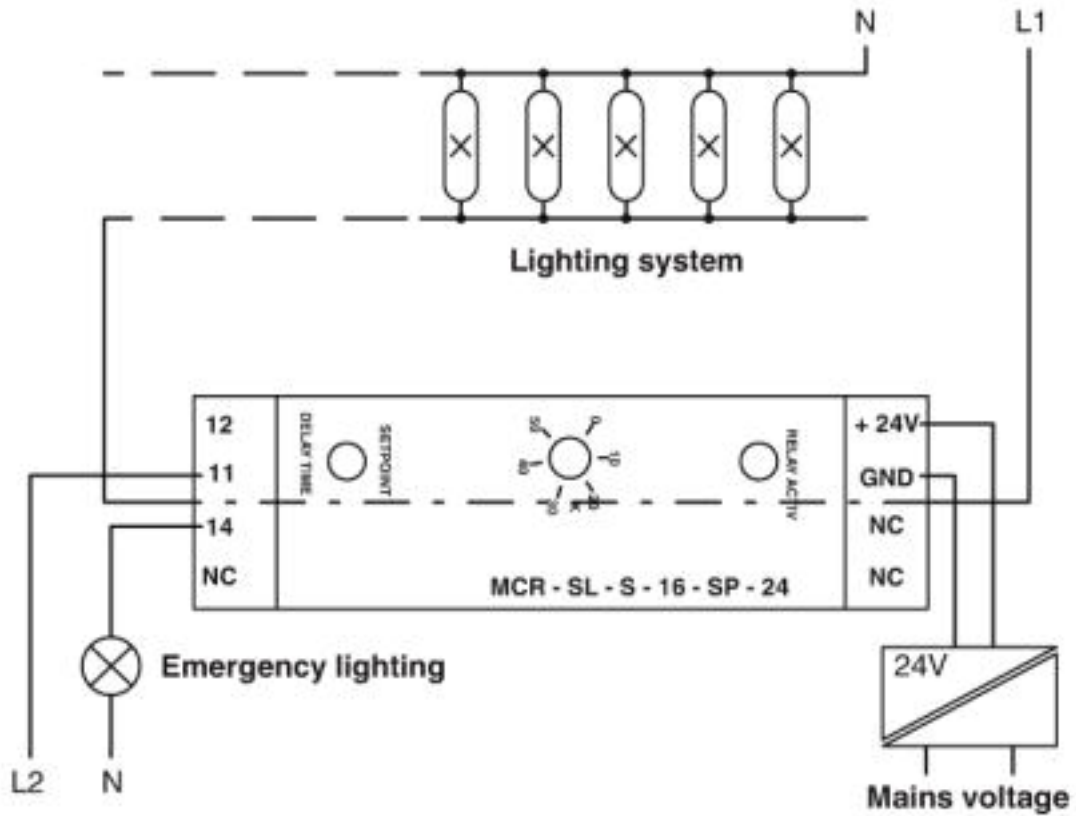
#### Environmental Product Compliance

China RoHS	Environmentally Friendly Use Period = 50
	For details about hazardous substances go to tab "Downloads", Category "Manufacturer's declaration"

### Drawings

# Current monitoring - MCR-SL-S- 16-SP- 24 - 2864464

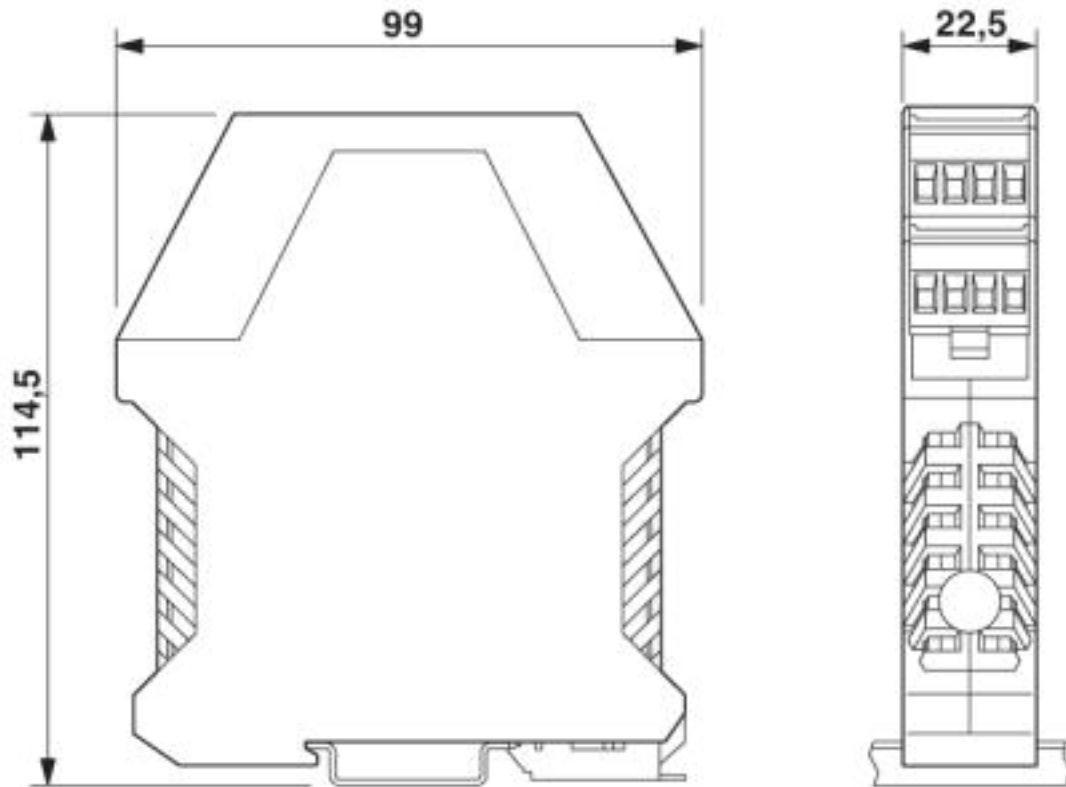
Application drawing



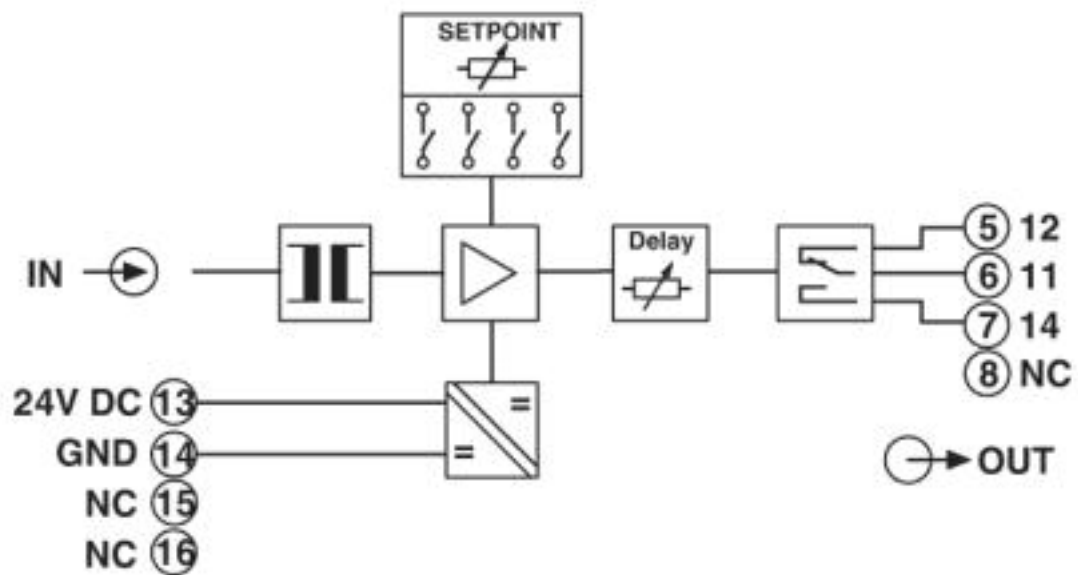
Lighting system with emergency lighting

# Current monitoring - MCR-SL-S- 16-SP- 24 - 2864464

Dimensional drawing



Circuit diagram



Approvals

Approvals

# Current monitoring - MCR-SL-S- 16-SP- 24 - 2864464

## Approvals

---

### Approvals





UL Recognized / cUL Recognized / EAC / cULus Recognized

---

### Ex Approvals

---

### Approval details

UL Recognized		<a href="http://database.ul.com/cgi-bin/XYV/template/LISEXT/1FRAME/index.htm">http://database.ul.com/cgi-bin/XYV/template/LISEXT/1FRAME/index.htm</a>	FILE E 238705
cUL Recognized		<a href="http://database.ul.com/cgi-bin/XYV/template/LISEXT/1FRAME/index.htm">http://database.ul.com/cgi-bin/XYV/template/LISEXT/1FRAME/index.htm</a>	FILE E 238705
EAC			RU C- DE.A*30.B.01082
cULus Recognized			

---

Phoenix Contact 2019 © - all rights reserved  
<http://www.phoenixcontact.com>

PHOENIX CONTACT GmbH & Co. KG  
Flachsmarktstr. 8  
32825 Blomberg  
Germany  
Tel. +49 5235 300  
Fax +49 5235 3 41200  
<http://www.phoenixcontact.com>