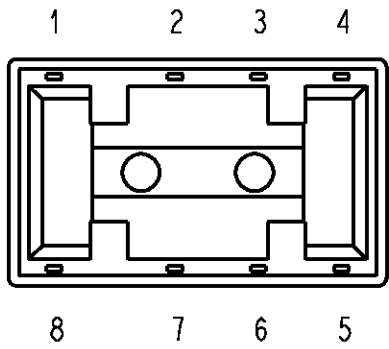
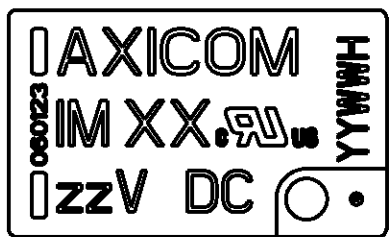
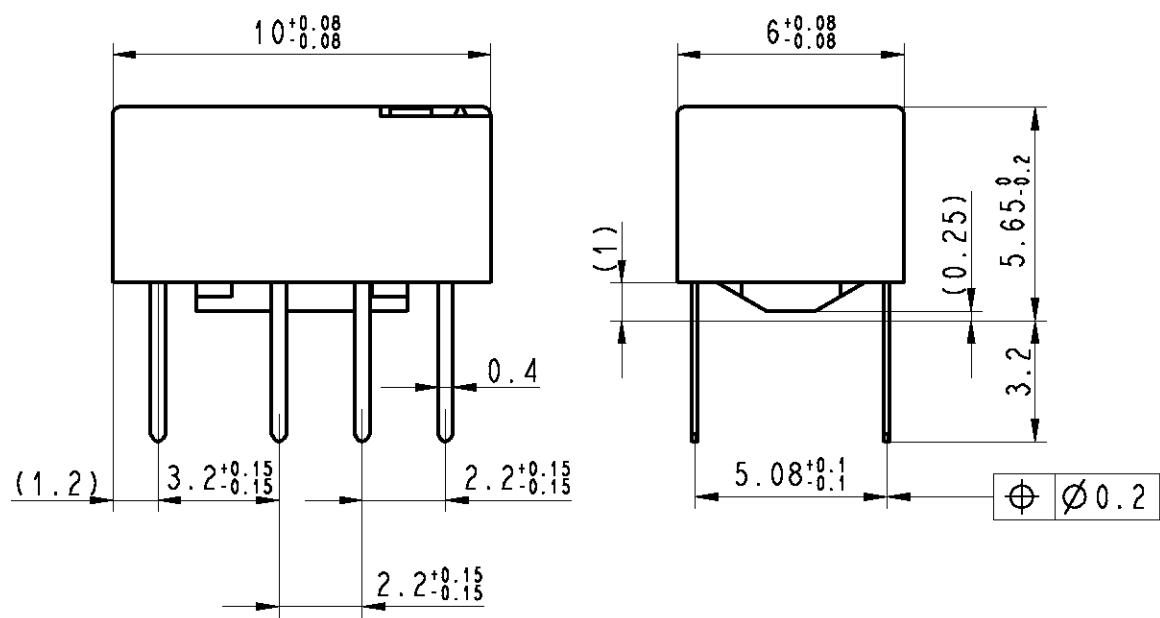


LOC		DIST		REVISIONS			
P	LTR	DESCRIPTION	DATE	DWN	APVD		
HJ	-	A8	REVISED PER ECO-11-005150	25MAR11	RK	HMR	



Relay - bottom view



XX = Relay type
 ZZ = nominal voltage
 YYWW = Date code

THIS DRAWING IS UNPUBLISHED.

ALL RIGHTS RESERVED.

DRAWING ALIAS E2002-DOK02

DIMENSIONS: mm TOLERANCES UNLESS OTHERWISE SPECIFIED: DIN 7168-m 0 PLC ±- 1 PLC ±- 2 PLC ±- 3 PLC ±- 4 PLC ±- ANGLES ±-	DWN UKo 9193 28Aug1998 CHK HD 9121 28Aug1998 APVD HD 9121 28Aug1998	MATERIAL - FINISH -
	PRODUCT SPEC - APPLICATION SPEC - WEIGHT -	TE Connectivity NAME IM-Relay THT (Standard) Dimensions SIZE A4 CAGE CODE 00779 DRAWING NO C-1462037-4 RESTRICTED TO -
CUSTOMER DRAWING		SCALE 5:1 SHEET 1 OF 1 REV A8