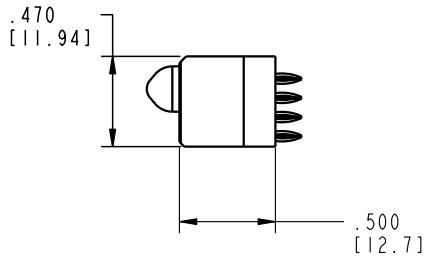
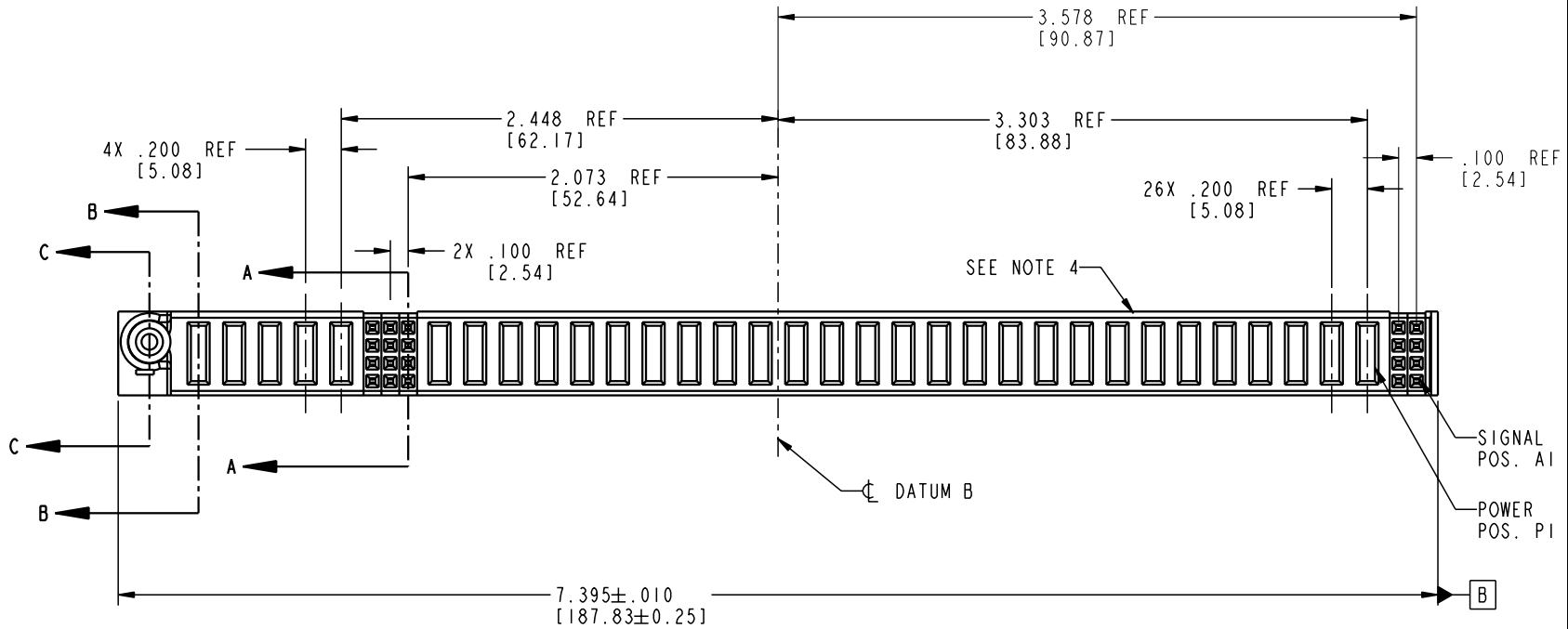


Tous droits strictement réservés. Reproduction ou communication o des liens interdite sous quelque forme que ce soit sans autorisation écrite du propriétaire. Propriete de c FCI. Droits de reproduction FCI.

All rights strictly reserved. Reproduction or issue to third parties in any form whenever is not permitted without written authority from the proprietor. Property of FCI. Copyright FCI.

PRODUCT NO.	ROWS	POWER											POWER											SIG																
		E1	P32	P31	P30	P29	P28	5	4	3	P27	P26	P25	P24	P23	P22	P21	P20	P19	P18	P17	P16	P15	P14	P13	P12	P11	P10	P9	P8	P7	P6	P5	P4	P3	P2	P1	2	1	
51940-080	DUBA		PC	PC	PC	PC	PC	FF	FF	FF	PC	PC	PC	PC	PC	PC	PC	PC	PC	PC	PC	PC	PC	PC	PC	PC	PC	PC	PC	PC	PC	PC	PC	PC	PC	PC	FF	FF	FF	FF



CODE	DIM "M" MATING LENGTH	CONTACT TYPE
F	N/A [N/A]	SIGNAL
PC	.042 [1.07]	POWER

mat'l code				SEE NOTE 2		tolerances unless otherwise specified		CUSTOMER		 www.fciconnect.com	
ltr	ecn no.	dr	date	linear	.XX±.01/0.X±0.3		COPY		 title 8S + 27P + 12S + 5P VERTICAL PRESS-FIT RECEPT		
A	V04-0245	DAI	03/10/04		.XXX±.005/0.XX±0.13		projection		product family PwrBlade code 213		
					.XXX±.0020/0.XXX±0.051		 INCH/MM		size dwg no A 51940-080 sheet 1 of 4		
					° ± °		scale 1:1				
sheet index		revision sheet		A	A	A	A			cage code 22526	

Pro/E

3

cage code 22526

4

PDM: Rev:A

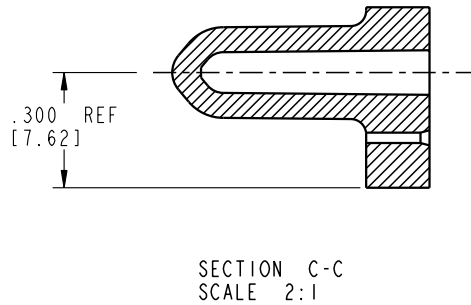
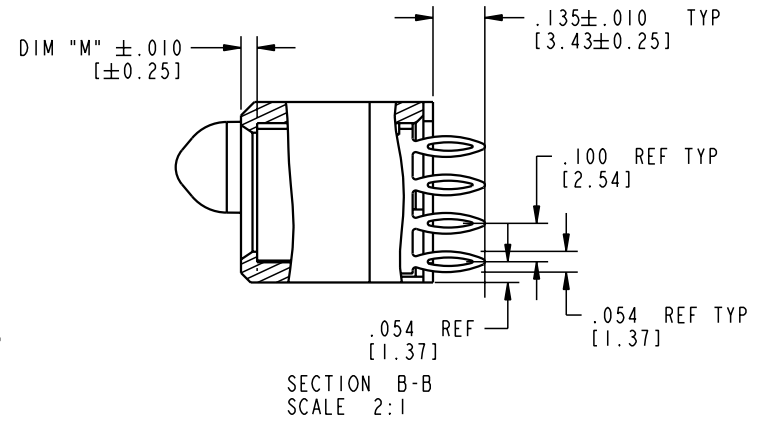
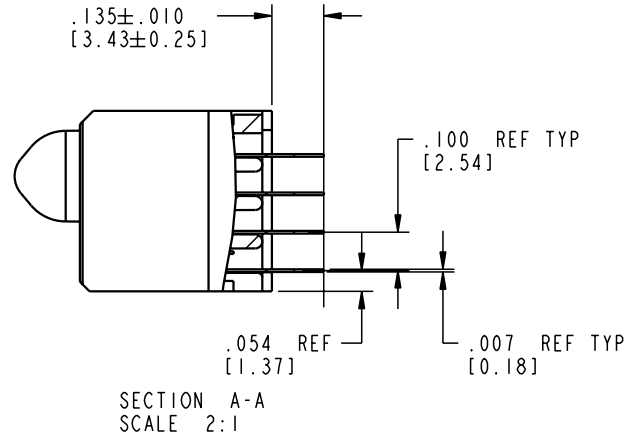
STATUS: Released

Printed: Dec 20, 2010

Tous droits strictement réservés. Reproduction ou communication o des tiers interdite sous quelque forme que ce soit sans autorisation écrite du propriétaire. Propriete de c FCI. Droits de reproduction FCI.

All rights strictly reserved. Reproduction or issue to third parties in any form whatever is not permitted without written authority from the proprietor. Property of FCI. Copyright FCI.

PRODUCT NUMBER  
51940-080



mat'l code				SEE NOTE 2		tolerances unless otherwise specified		CUSTOMER		 www.fciconnect.com	
ltr	ecn no.	dr	date	linear	.XX±.01/0.X±0.3		COPY		title 8S + 27P + 12S + 5P VERTICAL PRESS-FIT RECEIPT		
A					.XXX±.005/0.XX±0.13		projection				
				angles	.XXX±.0020/0.XXX±0.051		 INCH/MM		product family PwrBlade code 213		
				dr	D. INGRAM	03/10/04	scale		size		sheet
				enr	M. GRAY	03/10/04	1:1		A		51940-080
				chr	M. GRAY	03/10/04					2 of 4
				appd	M. GRAY	03/10/04					
sheet index		revision sheet								cage code 22526	

Pro/E

cage code 22526

PDM: Rev:A

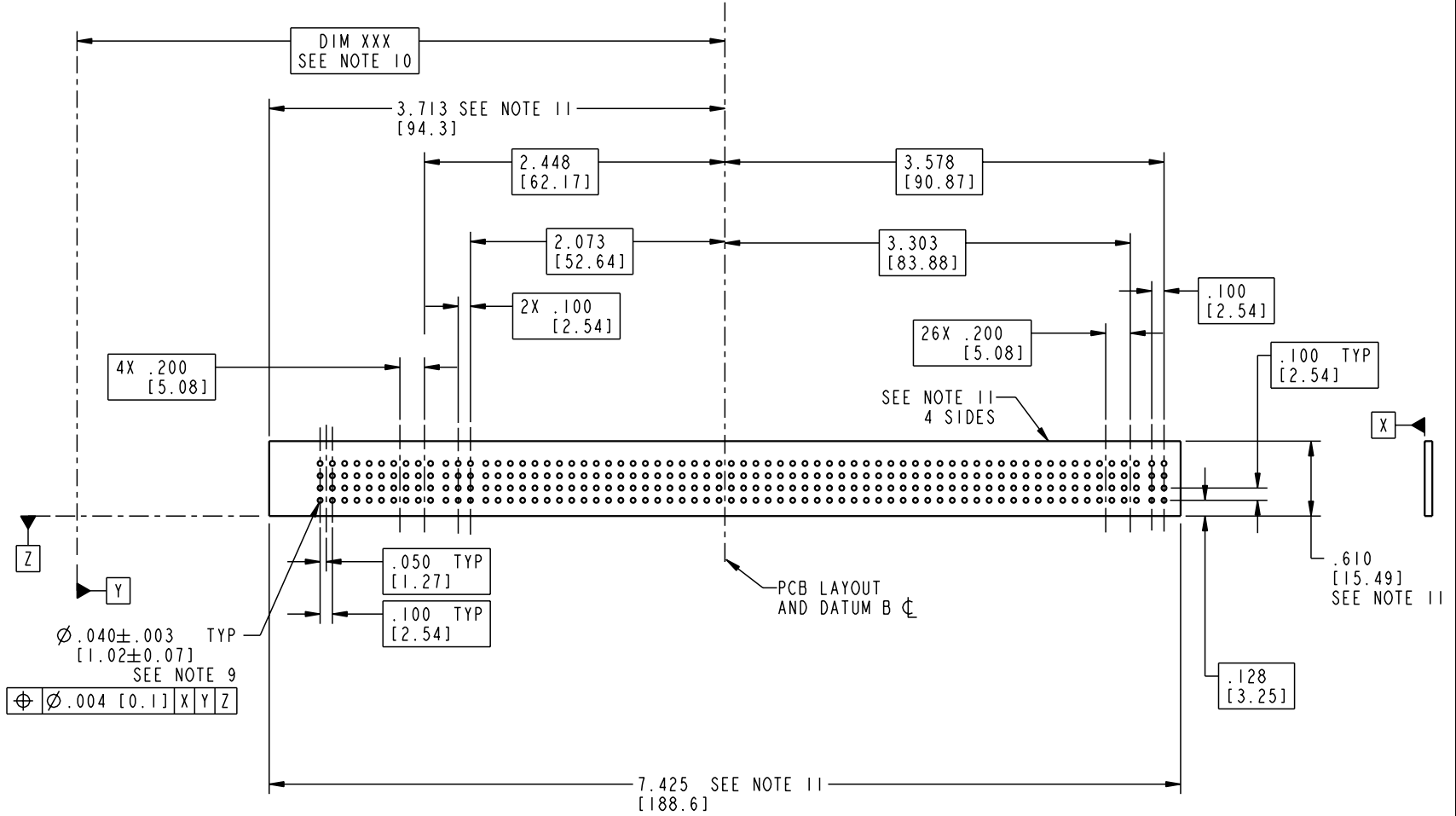
STATUS: Released

Printed: Dec 20, 2010

Tous droits strictement réservés. Reproduction ou communication o des tiers interdite sous quelque forme que ce soit sans autorisation écrite du propriétaire. Propriete de c FCI. Droits de reproduction FCI.

All rights strictly reserved. Reproduction or issue to third parties in any form whatever is not permitted without written authority from the proprietor. Property of FCI. Copyright FCI.

PRODUCT NUMBER  
51940-080



⊕ Ø.004 [0.1] X|Y|Z

mat'l code				SEE NOTE 2		tolerances unless otherwise specified		CUSTOMER		 www.fciconnect.com	
ltr	ecn no.	dr	date	linear	.XX±.01/0.X±0.3		COPY		title		
A					.XXX±.005/0.XX±0.13		projection		8S + 27P + 12S + 5P		
				angles	.XXX±.0020/0.XXX±0.051				VERTICAL PRESS-FIT RECEPT		
				dr	D. INGRAM	03/10/04	INCH/MM		product family		code
				engr	M. GRAY	03/10/04	scale		PwrBlade		213
				chr	M. GRAY	03/10/04	3:4		size		sheet
				appd	M. GRAY	03/10/04			A 51940-080		3 of 4
sheet index		revision sheet									

cage code 22526

Pro/E

Tous droits strictement réservés. Reproduction ou communication o des tiers interdite sous quelque forme que ce soit sans autorisation écrite du propriétaire. Propriete de c FCI. Droits de reproduction FCI.

**A**  
**FCI**

All rights strictly reserved. Reproduction or issue to third parties in any form, whenever is not permitted without written authority from the proprietor. Property of FCI. Copyright FCI.

**B**

PRODUCT NUMBER  
**51940-080**

NOTES:

1. DIMENSIONS AND TOLERANCES ARE IN ACCORDANCE WITH ASME Y14.5M, 1994 UNLESS OTHERWISE SPECIFIED.

CONNECTOR NOTES:

2 HOUSING MATERIAL: UL 94 V-0 GLASS FILLED

HIGH-TEMP THERMOPLASTIC  
POWER CONTACT MATERIAL: COPPER ALLOY  
SIGNAL PIN MATERIAL: COPPER ALLOY

3. PLATING:

SIGNAL PINS: 30u"/0.76um Au OVER 50u"/1.27um Ni  
POWER CONTACTS: 50u"/1.27um Ni UNDER ALL  
WITH 30u"/0.76um Au ON CONTACT AREA  
AND SnPb ON PCB INTERFACE

4 MANUFACTURER'S NAME, P/N, AND DATE CODE TO APPEAR ON THIS SURFACE.

5. PRODUCT SPECIFICATION GS-12-149.  
APPLICATION SPECIFICATION BUS-20-067.

6. PACKAGED IN TRAYS.

PCB NOTES:



7. ALL HOLE DIAMETERS ARE FINISHED HOLE SIZE.

8. MOUNTING HOLES, WHERE APPLICABLE, ARE UNPLATED.

9  $\varnothing .0453 \pm .0010$  [1.151  $\pm$  0.025] DRILLED HOLES PLATED WITH  
.0003 [0.008] MIN SnPb OVER .001 [0.03]  
TO .003 [0.08] Cu PLATING TO ACHIEVE  
 $\varnothing .040 \pm .003$  [1.02  $\pm$  .07] HOLE.

10 "DIM XXX" TO BE DETERMINED BY THE CUSTOMER.

11 CONNECTOR KEEP-OUT ZONE.

mat'l code				SEE NOTE 2		tolerances unless otherwise specified		CUSTOMER		 www.fciconnect.com	
ltr	ecn no.	dr	date	linear	.XX±.01/0.X±0.3		COPY		 title 8S + 27P + 12S + 5P VERTICAL PRESS-FIT RECEPT		
A					.XXX±.005/0.XX±0.13		INCH/MM				
					angles	.XXX±.0020/0.XXX±0.051		scale 1:1		size dwg no 51940-080 sheet 4 of 4	
				dr	D. INGRAM	03/10/04					
				enrg	M. GRAY	03/10/04					
				chr	M. GRAY	03/10/04					
				appd	M. GRAY	03/10/04					
sheet index		revision sheet									

**A**

**B**

1 | 2

3 |

4

1 | 2

Pro/E

3 |

cage code 22526

4

**PDM: Rev:A**

STATUS: **Released**

Printed: Dec 20, 2010