

THIS DRAWING IS UNPUBLISHED.

RELEASED FOR PUBLICATION

ALL RIGHTS RESERVED.

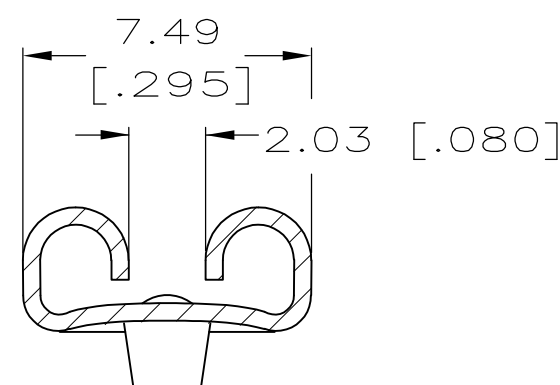
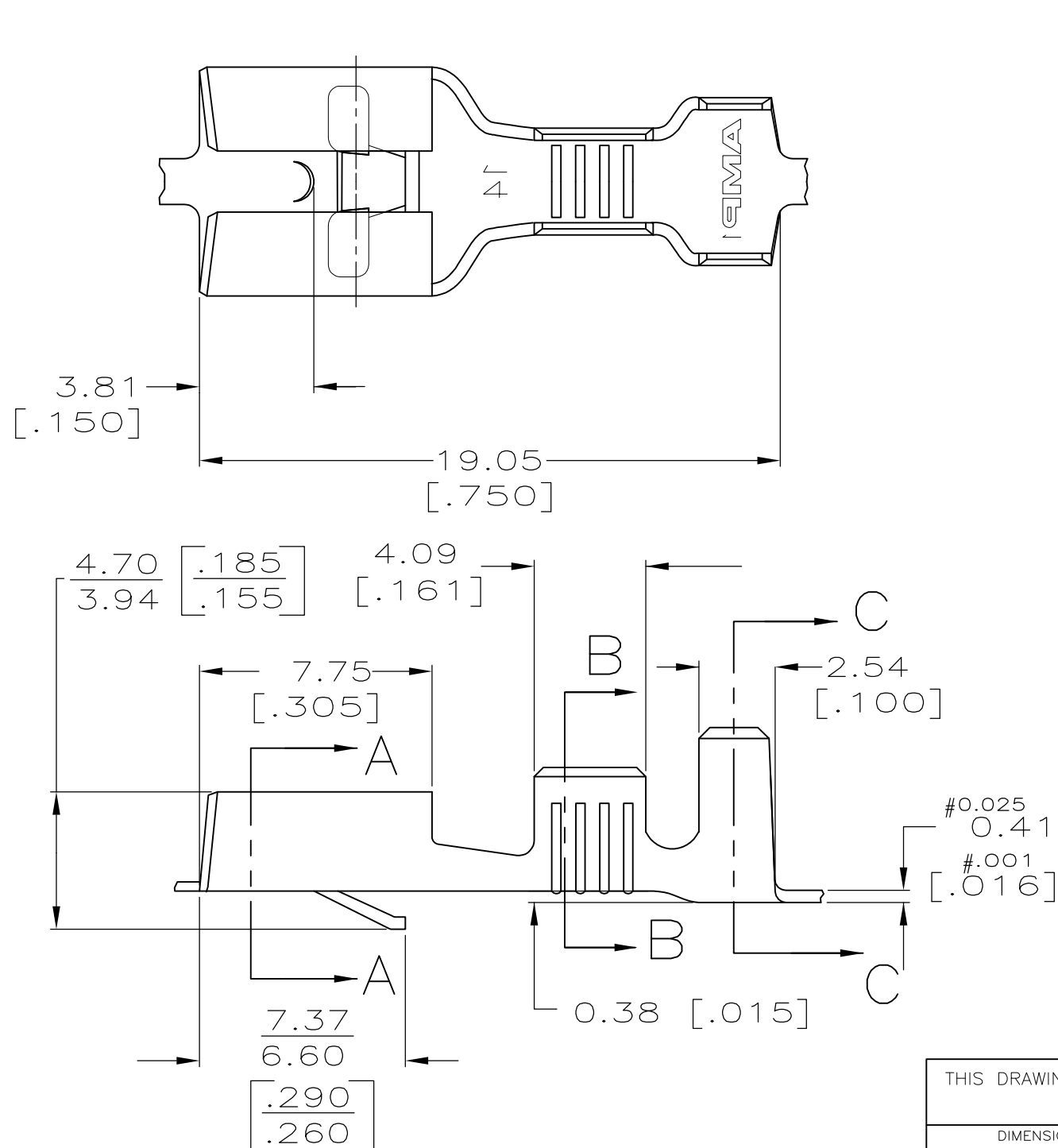
© COPYRIGHT - By -

LOC AF DIST 50

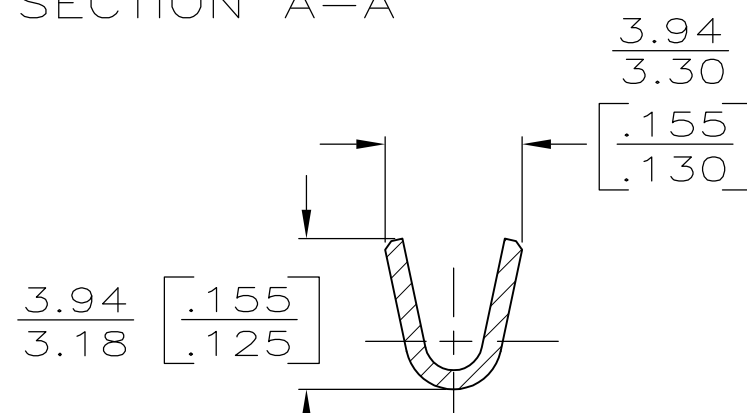
REVISIONS

P	LTR	DESCRIPTION	DATE	DWN	APVD
	AH	REVISED PER ECR-13-005733	28AUG2013	KH	PD

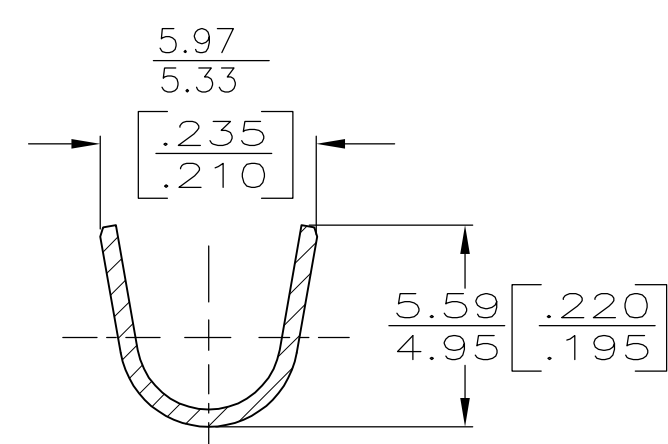
1 CONTINUOUS STRIP ON REELS.



SECTION A-A



SECTION B-B



SECTION C-C

2.54-4.32 DIA [.100-.170] DIA	0.8-2.0mm ² [18-14] AWG	0.81 [.032]	60634-1
INSUL RANGE	WIRE SIZE	MATING TAB THK ±0.025 [.001]	PART NO

THIS DRAWING IS A CONTROLLED DOCUMENT.		DWN JR RUTH 8/19/93	TE Connectivity RECEPTACLE, FASTIN-FASTON, 6.35 [.250] SERIES				
DIMENSIONS: mm [INCHES]		CHK MS FEHER 8/19/93					
TOLERANCES UNLESS OTHERWISE SPECIFIED:		APVD J GILLESPIE 8/19/93					
0 PLC ± - 1 PLC ± - 2 PLC ± 0.25 [.010] 3 PLC ± - 4 PLC ± - ANGLES ± -		PRODUCT SPEC -	NAME				
MATERIAL BRASS		FINISH -	APPLICATION SPEC 114-2025	SIZE A3	CAGE CODE 00779	DRAWING NO C-60634	RESTRICTED TO -
CUSTOMER DRAWING			WEIGHT -	SCALE 5:1	SHEET 1 OF 1	REV AH	