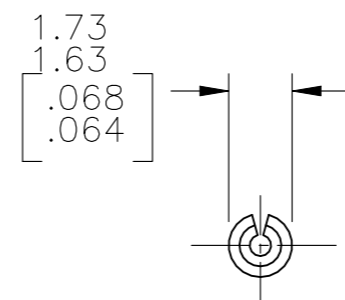
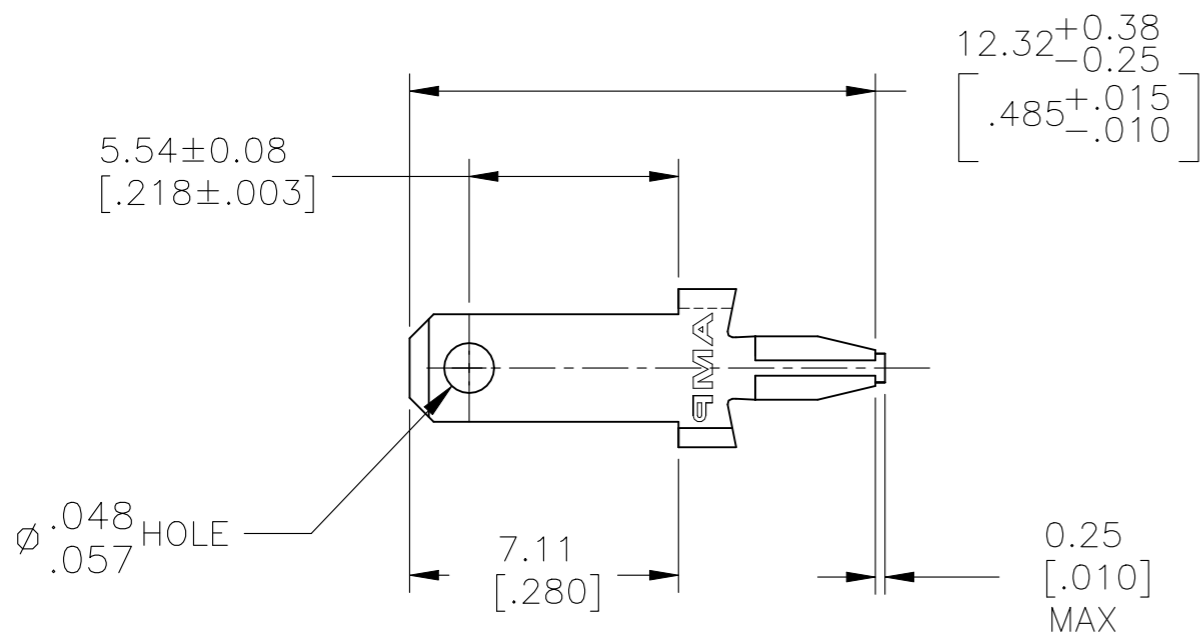
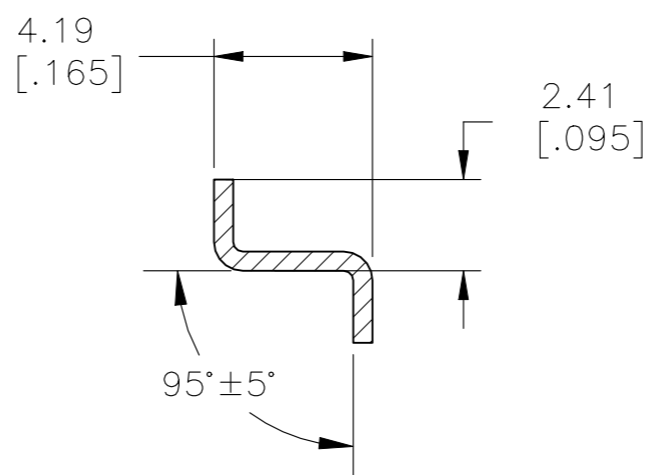
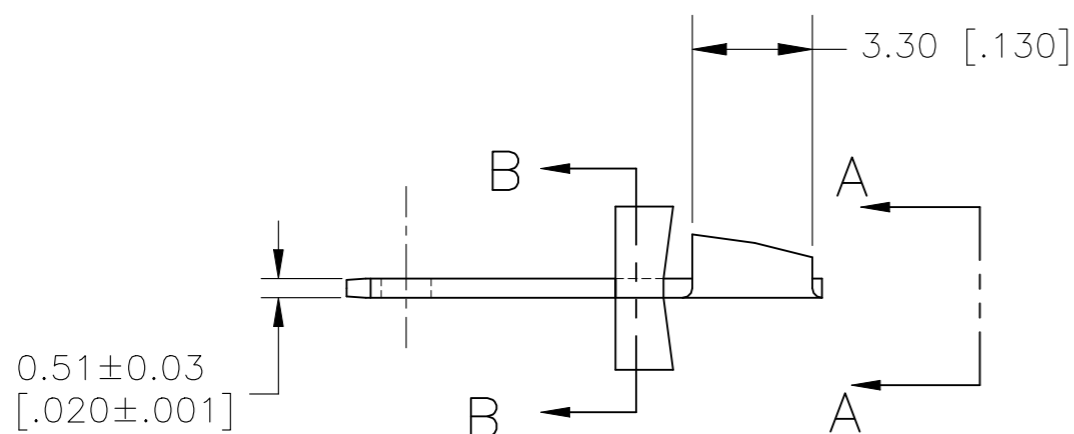


REVISIONS					
P	LTR	DESCRIPTION	DATE	DWN	APVD
	C1	REVISED PER ECR-21-111254	25AUG2021	SS	EW



VIEW A-A



SECTION B-B

- 1 SUPPLIED IN LOOSE PIECE.
- 2 0.00381 [.000150] MIN TIN PL OVER 0.00254 [.000100] MIN COPPER PL.
- 3 PARTS TO MEET AMP SOLDERABILITY SPEC 109-11-2, MIDLY ACTIVATED ROSIN.
- 4 PRINTED CIRCUIT BOARD THK IS 0.81/2.36 [.032/.093] THK WITH A HOLE DIA OF 1.70/1.60 [.067/.063].

61968-1	62437-1
STRIP P/N	PART NO.

THIS DRAWING IS A CONTROLLED DOCUMENT.		DWN JR RUTH 22FEB01	TE Connectivity NAME TAB, FASTON, PC BOARD 2.79 [.110] SERIES				
DIMENSIONS: mm [INCHES]		CHK MS FEHER 22FEB01				APVD N DEIBERT 22FEB01	RESTRICTED TO
TOLERANCES UNLESS OTHERWISE SPECIFIED:		PRODUCT SPEC				APPLICATION SPEC	—
0 PLC ± - 1 PLC ± - 2 PLC ± 0.25 [.010] 3 PLC ± - 4 PLC ± - ANGLES ± -		WEIGHT 0.000000				SIZE A3	CAGE CODE 00779
MATERIAL BRASS		FINISH 2	DRAWING NO C-62437	SCALE 5:1	SHEET 1 OF 1		
CUSTOMER DRAWING			REV C1				