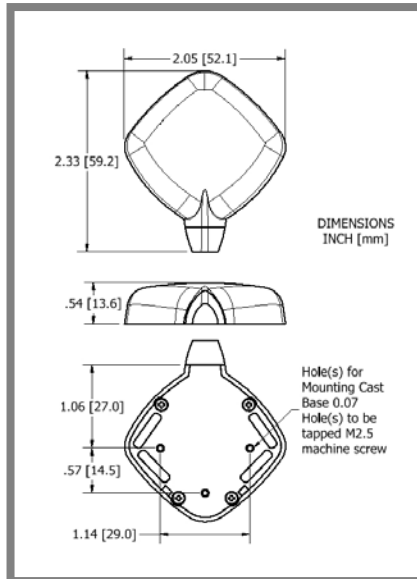


Mechanical installation guidelines for PCTEL's Magnet Mount GPS & GNSS Antennas series.



PCTEL's Magnet Mount Antenna series can be mounted using the internal magnets or screw holes as shown in the accompanying diagram

For maximum GPS performance, the following guidelines are recommended:

- Place the antenna on a metal ground plane at least 4" in diameter
- Ensure no adjacent metal objects above the ground plane
- Place the antenna horizontally with a clear view of the sky
- Excessive voltage may damage the internal amplifier causing reduced sensitivity – do not exceed the recommended maximum antenna voltage.

PCTEL's Magnet Mount GPS & GNSS Antenna Series

3910D	Low Noise, Active GPS Antenna
3911D-HR	High Rejection, Active GPS Antenna
3914D	Low Current, Low Noise, Active GPS Antenna
3915D-HR	Low Current, High Rejection, Active GPS Antenna
3917D	Value Active GPS Antenna
8117D	GPS/GLONASS Active Wideband Antenna
8111D-HR	GPS/GLONASS High Rejection, Active Antenna
9111D	Globalstar STU/TX Passive Antenna
9211D	Iridium ShortBurst Passive Antenna
5012D-U	GPS Antenna w/Integrated Receiver & USB
