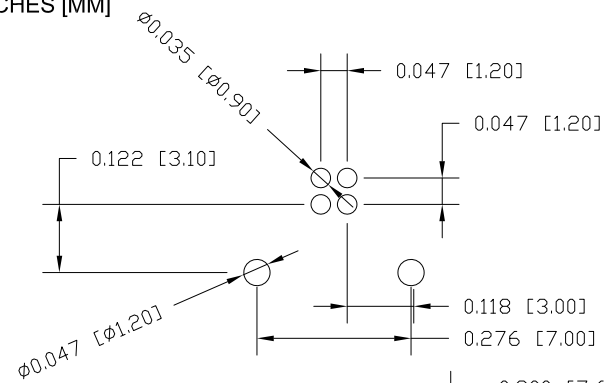
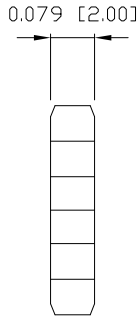
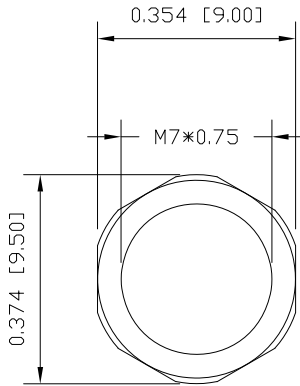
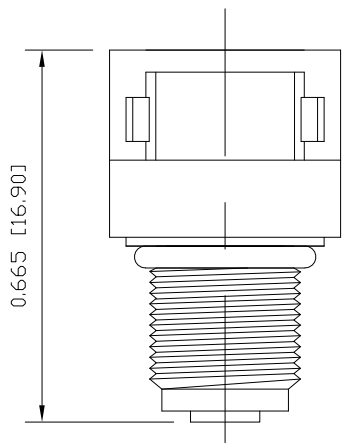
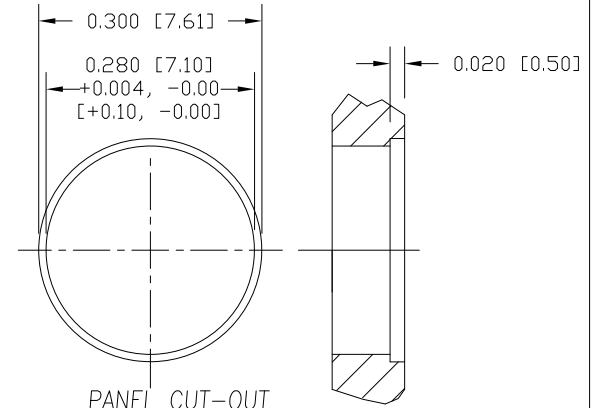


DESCRIPTION: M5 FEMALE - RIGHT ANGLE - PANEL MOUNT - 2 POSITION

UNITS = INCHES [MM]



P.C.B. LAYOUT

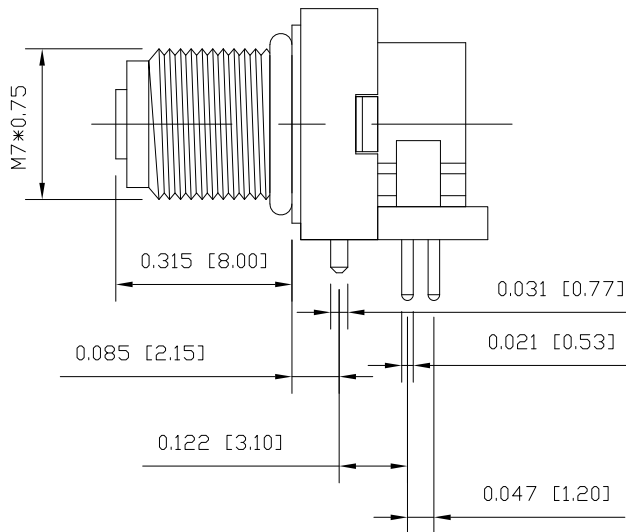
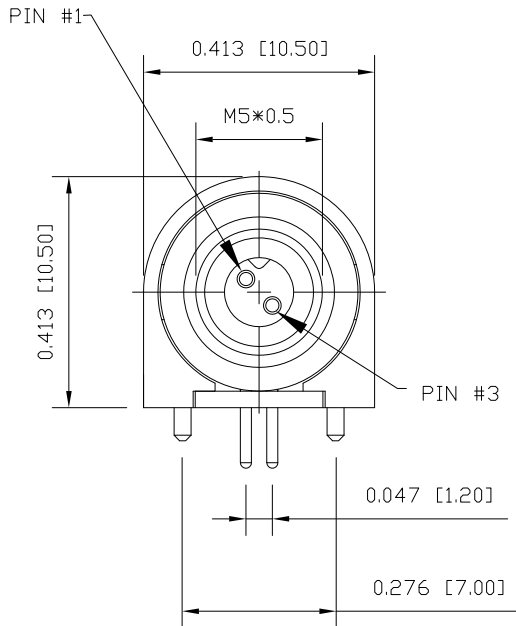


PANEL CUT-OUT

MAX. PANEL THICKNESS: 0.125 [3.17]

853-002-213R00Y

1 = GOLD FLASH  
4 = 10µ" GOLD



NOTE:

MATERIAL  
 HOUSING: PBT UL94V-0, BLACK  
 CONTACT: BRASS  
 NUT: BRASS  
 O-RING: NBR, BLACK  
 BACK HOUSING: PBT UL94V-0, BLACK  
 DOWN HOUSING: PBT UL94V-0, BLACK

FINISH  
 CONTACT: GOLD PLATED  
 OVER 50µr NICKEL  
 NUT: NICKEL PLATED

ELECTRICAL  
 RATED CURRENT: 1A  
 RATED VOLTAGE: 60V  
 INSULATION RESISTANCE: 100 MΩhms MIN.  
 CONTACT RESISTANCE: 10 mΩhms MAX.  
 WATER PROOF: IP67

ENVIRONMENT  
 OPERATION TEMPERATURE: -40°C TO +85°C  
 MAX. ASSEMBLY TORQUE: 1.5 in lbs

RoHS COMPLIANT

DO NOT SCALE FROM DRAWING



THESE DRAWINGS AND SPECIFICATIONS ARE THE PROPERTY OF NorComp AND SHALL NOT BE REPRODUCED, COPIED OR USED AS THE BASIS FOR THE MANUFACTURE OR SALE OF APPARATUS WITHOUT WRITTEN PERMISSION.

DRAWN: M. SIGMON

DATE: 03-03-16

NorComp

SCALE: NTS

SHEET 1 OF 1

REV 5

DWG NO. 853-002-213R00Y