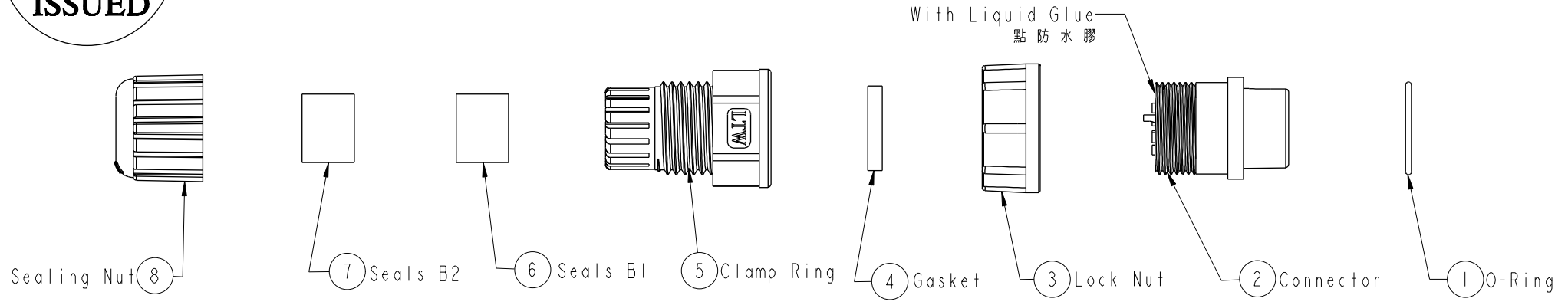


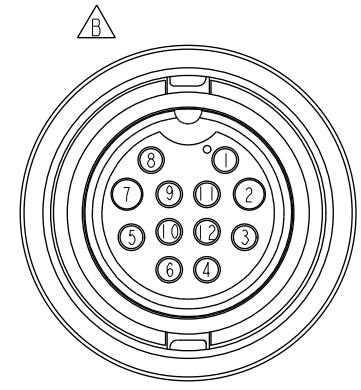
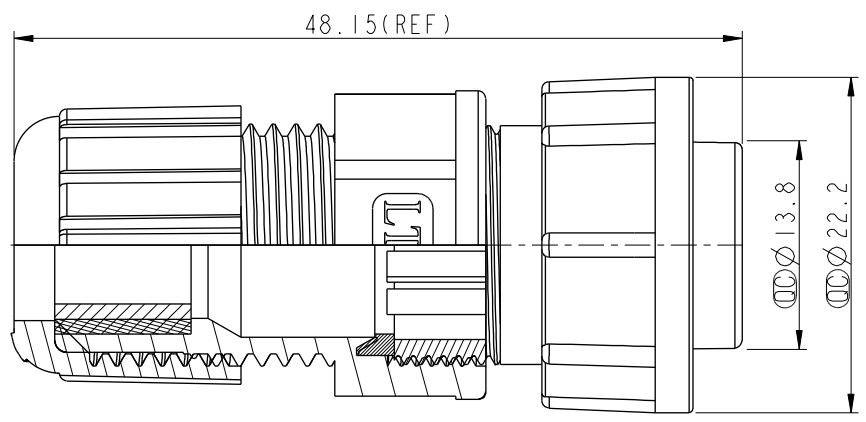
THIS DOCUMENT IS SUBJECT TO CHANGE WITHOUT NOTICE. IT IS CONFIDENTIAL AND A PROPERTY OF AMPHENOL LTW. DISCLOSURE TO THIRD PARTY HAS TO BE AUTHORIZED BY AMPHENOL LTW.

REV.	ECN NO.	DATE	SIGN	DESCRIPTION
B	LEN-9C0058	2009/12/01	Kevin	Change Pin Assignments

ALTW
DCC. DEPT.
CONFIDENTIAL
2012-06-01
ISSUED



ALTW
CONFIDENTIAL
2012-04-16
R&D DEPT.



- Note:
- * (⌀) Important Dimension To Check.
 - * Waterproof Rate: IP67
 - * Connector: Nylon+GF, Black
 - * Male Pin: Copper Alloy, Gold Plated
 - * Lock Nut: Nylon+GF, Black.
 - * O-Ring: EPDM, Black.
 - * Gasket: Silicone, Black
 - * Clamp Ring: Nylon, Black
 - * Sealing-Nut: Nylon, Black.
 - * Seals: EPDM, Black
 - * Seals B1 for Cable OD: $\varnothing 7.6\text{mm} \sim \varnothing 9.6\text{mm}$
 - * Seals B2 for Cable OD: $\varnothing 4.0\text{mm} \sim \varnothing 7.6\text{mm}$
 - * One Set Unassembled in One PE Bag.
(每一組未組裝, 放置於一個PE袋, 並封口)

UNIT: mm

TOLERANCE	
.X	± 0.25
.XX	± 0.1
.XXX	± 0.05
ANGLES	$\pm 1^\circ$

TITLE 12Pin Female Connector Male Pin(5A+2A)			
SCALE 1:1	SIZE A4	SHEET 1 OF 1	
REV. B	WC-REV. A.2	⌀: Inspection item	

Amphenol LTW
安費諾亮泰企業股份有限公司

ITEM NO. CDU-12BFMA-LL7001	DRAWN BY SamChang	DATE 2012-04-16
DWG NO. CDU-12BFMA-LL7001	CHECKED BY Jeffrey	DATE 2012-06-01
CUSTOMER ALTW	APPROVED BY Lion	DATE 2012-06-01