

# CGA9P3X7R1H226M250KB

TDK Item Description : CGA9P3X7R1H226MT\*\*\*\*



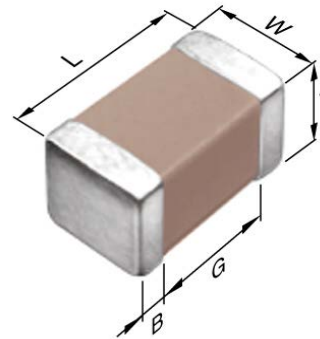
Equivalent CGA9P3X7R1H226M for Automotive

## Application & Main Feature

Automotive Grade ( General (Up to 75V) )

## Series

CGA9(5750) [EIA CC2220]



## Dimensions

L	5.70mm +/-0.4mm
W	5.00mm +/-0.4mm
T	2.50mm +/-0.3mm
B	0.20mm Min.
G	---

## Temperature Characteristic

X7R (-55 to +125 degC +/-15%)

## Rated Voltage

1H (50Vdc)

## Capacitance

22uF

## Capacitance Tolerance

M (+/-20%)

## Dissipation Factor

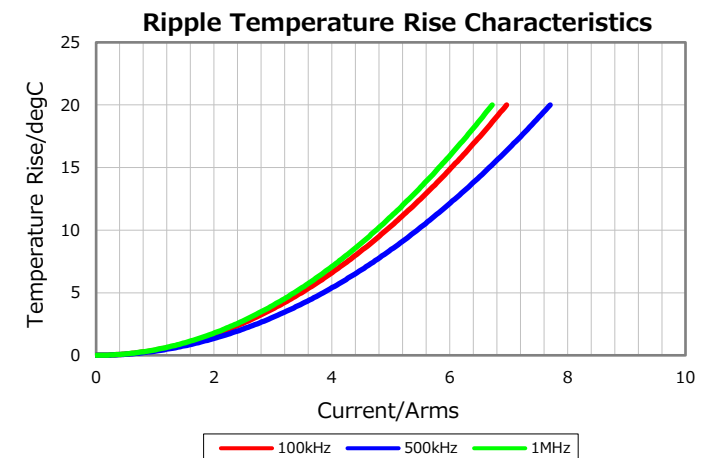
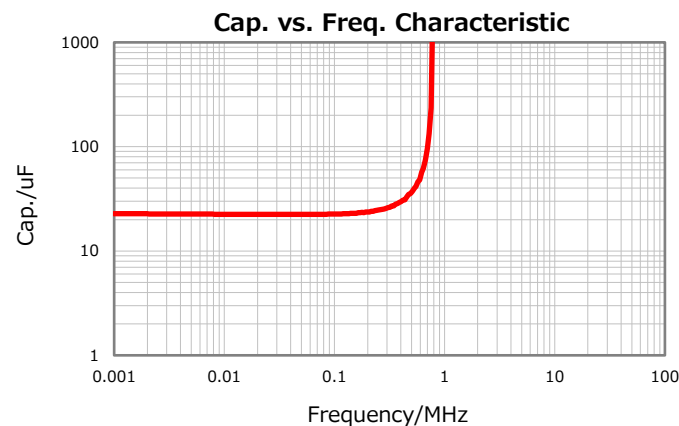
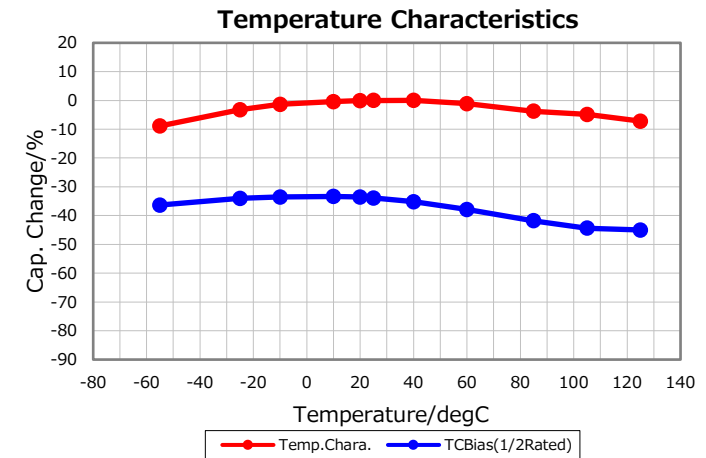
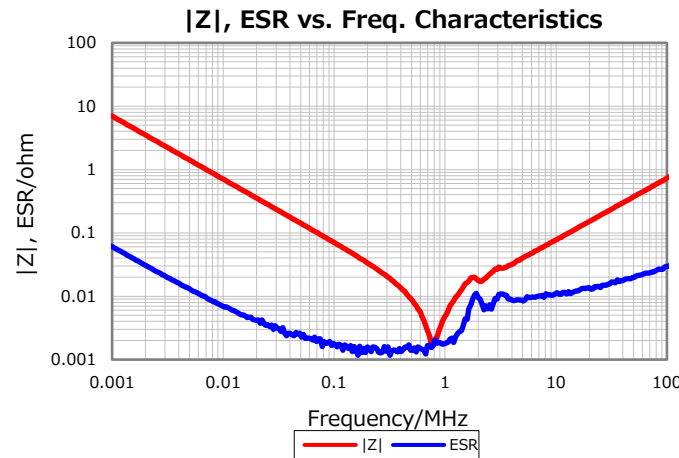
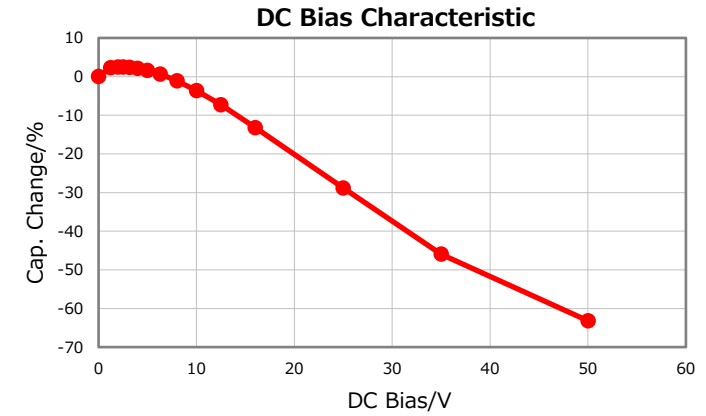
5% Max.

## Insulation Resistance

22Mohm Min.

## AEC-Q200

Yes



Characterization Sheet ( Multilayer Ceramic Chip Capacitors )



All specifications are subject to change without notice.

March 19, 2019