

SUMMARY

Wires

Low	0
High	0
Coax	1
Triax	0
Quad	0
Fiber	0
Fluidic	0



Image is for illustrative purpose only

Download

[Request a quote](#)

[Catalog](#)

Series	01
Termination type	Female print PCB
IP rating	50
Cable Ø	0.00 - 0.00 mm
Status	active
Alternative part	
Matching parts	FFS.01.250.DLAE31

TECHNICAL DETAILS

Mechanics

Shell Style/Model	EPA.01*: Straight receptacle for printed circuit
Keying	Circular (can rotate)
Housing Material	Brass (gold plated) shell, collet nut, brass latch sleeve and mid pieces
Variant	
Weight	1.50 g

Performance

Configuration	01.250 : 1 Coax (50 Ohm)
Insulator	
Rated Current	

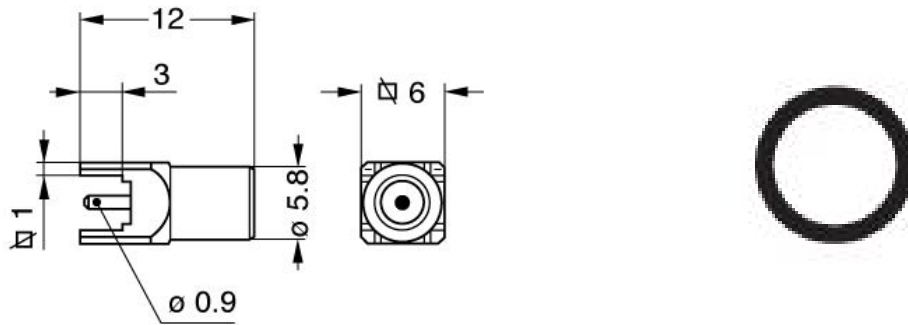
Others

IP Rating: 50

LEMO products and services are provided "as is". LEMO makes no warranties or representations with regard to LEMO product & services or use of them, express, implied or statutory, including for accuracy, completeness, or security. The user is fully responsible for his products and applications using LEMO components.

DRAWINGS

Draws



Dimensions

	A	B	K	L
mm.	5.8	6	3	12
in.	0,23	0,24	0,12	0,47

RECOMMENDED BY LEMO

Tools

None

Cables

LEMO products and services are provided "as is". LEMO makes no warranties or representations with regard to LEMO product & services or use of them, express, implied or statutory, including for accuracy, completeness, or security. The user is fully responsible for his products and applications using LEMO components.