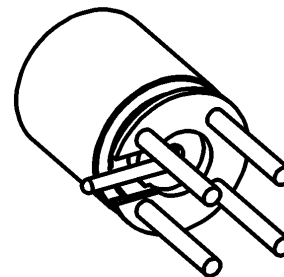
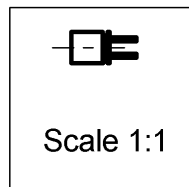
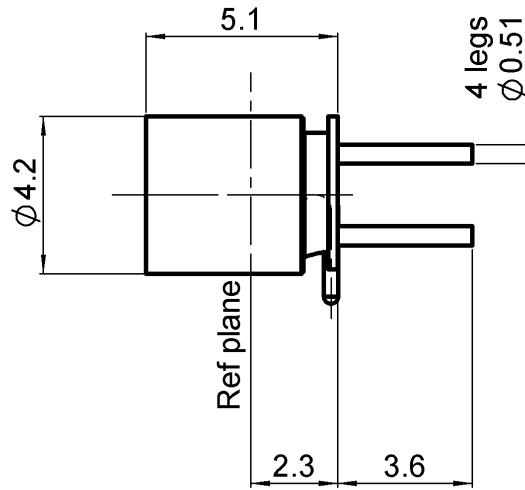
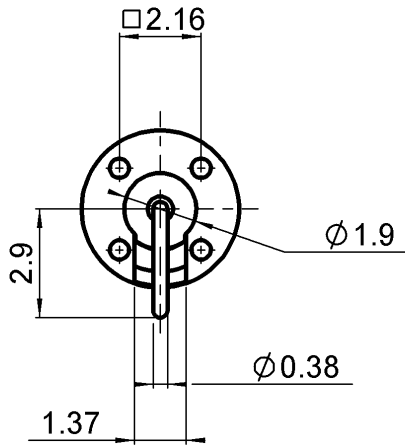
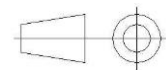


PAGE 1/5	ISSUE 04-01-17C	SERIES SMP	PART NUMBER R222428300
----------	-----------------	------------	------------------------



All dimensions are in mm.



COMPONENTS	MATERIALS	PLATING (µm)
Body	STAINLESS STEEL + BRASS	PASSIVATED + GOLD 0.5 OVER NICKEL 2
Center contact	BERYLLIUM COPPER	GOLD 1.27 OVER NICKEL 1.27
Outer contact		
Insulator	PTFE	
Gasket		
Others parts	-	-
-	-	-
-	-	-

PAGE 2/5	ISSUE 04-01-17C	SERIES SMP	PART NUMBER R222428300
----------	------------------------	-------------------	-------------------------------

PACKAGING

Standard	Unit	Other
100	Contact us	Contact us

ELECTRICAL CHARACTERISTICS

Impedance		50	Ω
Frequency		0-40*	GHz
VSWR***	1.15** +	0,0000	x F(GHz) Maxi
Insertion loss		0.12*	√F(GHz) dB Maxi
RF leakage	- (NA	- F(GHz) dB Maxi
Voltage rating		335	Veff Maxi
Dielectric withstanding voltage		500	Veff mini
Insulation resistance		5000	MΩ mini

ENVIRONMENTAL

Operating temperature	-65/+165	°C
Hermetic seal	NA	Atm.cm3/s
Panel leakage	NA	

MECHANICAL CHARACTERISTICS

Center contact retention			
Axial force – Mating End		6.8	N mini
Axial force – Opposite end		6.8	N mini
Torque		NA	N.cm mini
Recommended torque			
Mating		NA	N.cm
Panel nut		NA	N.cm
Mating life		500	Cycles mini
Weight		0,3500	g

SPECIFICATION

OTHER CHARACTERISTICS

Assembly instruction:

Others:

Compliant with MIL-STD-348

***Coaxial transmission line only**

****DC-12.4 Ghz (Coaxial transmission line only)**

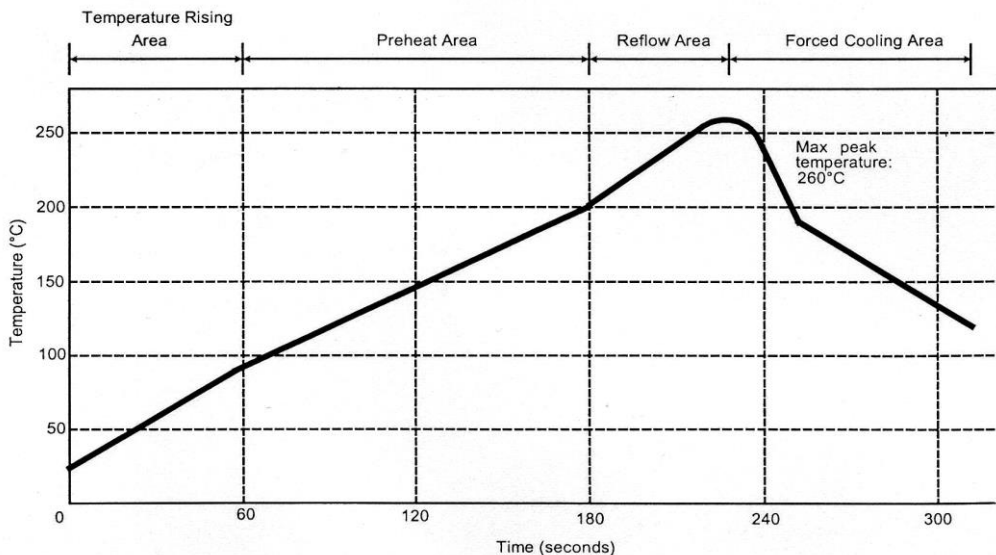
*****Performance strongly depends on layout and PCB material**

PAGE 3/5	ISSUE 04-01-17C	SERIES SMP	PART NUMBER R222428300
----------	-----------------	------------	------------------------

SOLDER PROCEDURE

- Deposition of solder paste 'Sn Ag4 Cu0.5' on mounting zone by screen printing application. We recommend a low residue flux.
We advise a thickness of 150 microns (5.85 microinch). Verify that the edges of the zone are clean.
- Placement of the receptacle on the mounting zone with an automatic machine of 'pick and place' type.
Video camera is recommended for the positioning of the component. Adhesive agents must not be used on the receptacle.
- Soldering by infra-red reflow.
Below, please find the typical profile to use.
- Cleaning of printed circuit boards.
- Checking of solder joints and position of the component by visual inspection.

TEMPERATURE PROFILE

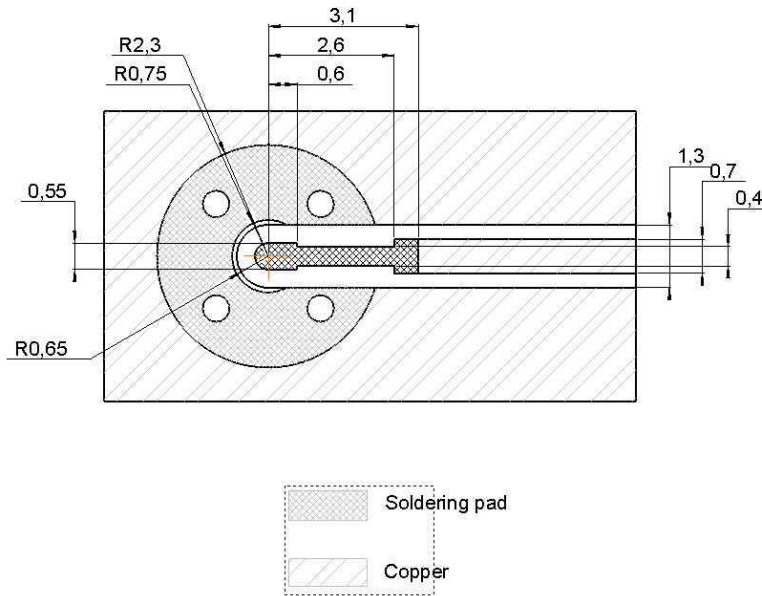


Parameter	Value	Unit
Temperature rising Area	1 - 4	°C/sec
Max Peak Temperature	260	°C
Max dwell time @260°C	10	sec
Min dwell time @235°C	20	sec
Max dwell time @235°C	60	sec
Temperature drop in cooling Area	-1 to -4	°C/sec
Max dwell time above 100°C	420	sec

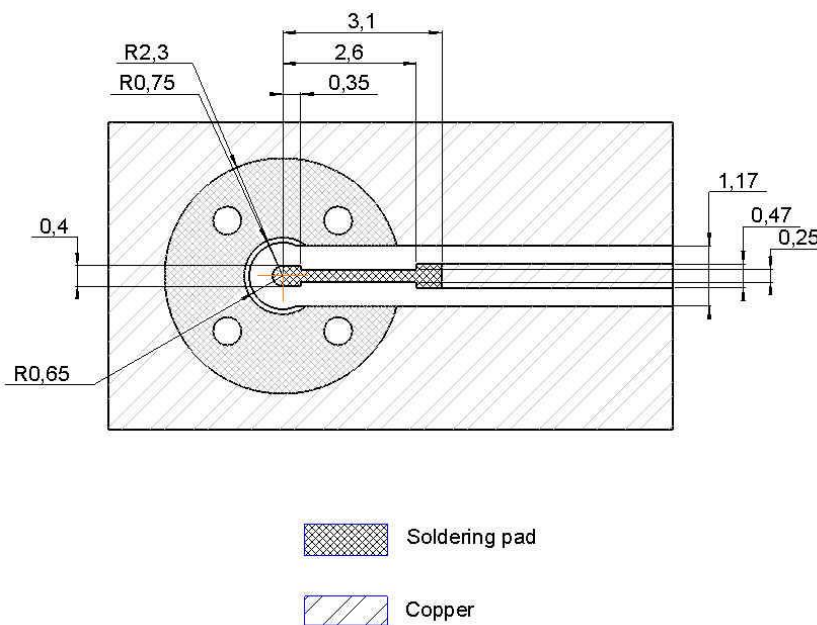
PAGE 4/5	ISSUE 04-01-17C	SERIES SMP	PART NUMBER R222428300
----------	-----------------	------------	------------------------

RECOMMENDED PAD DIMENSIONS:

Substrate: RT5880 thickness 0.254mm, with copper layer 35µm on both sides :
 Add vias between both sides along upper ground plane according to engineering practise



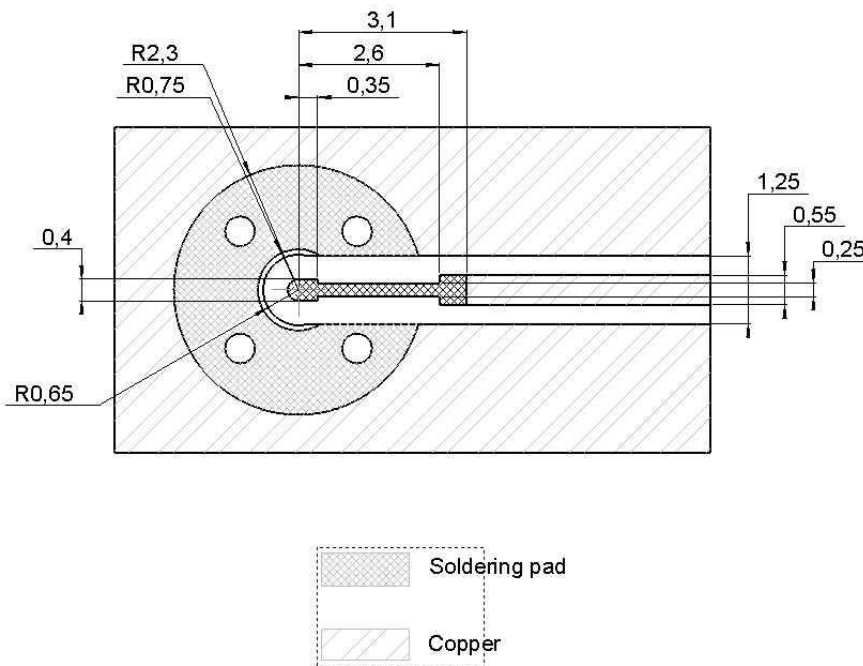
Substrate: RO4350 thickness 0.254mm, with copper layer 35µm on both sides :
 Add vias between both sides along upper ground plane according to engineering practise



PAGE 5/5	ISSUE 04-01-17C	SERIES SMP	PART NUMBER R222428300
----------	-----------------	------------	------------------------

Substrate: RO6002 thickness 0.254mm, with copper layer 35µm on both sides :

Add vias between both sides along upper ground plane according to engineering practise



SHADOW FOR VIDEO CAMERA

