



ON Semiconductor®

FAN6500XX Sync Buck Converter

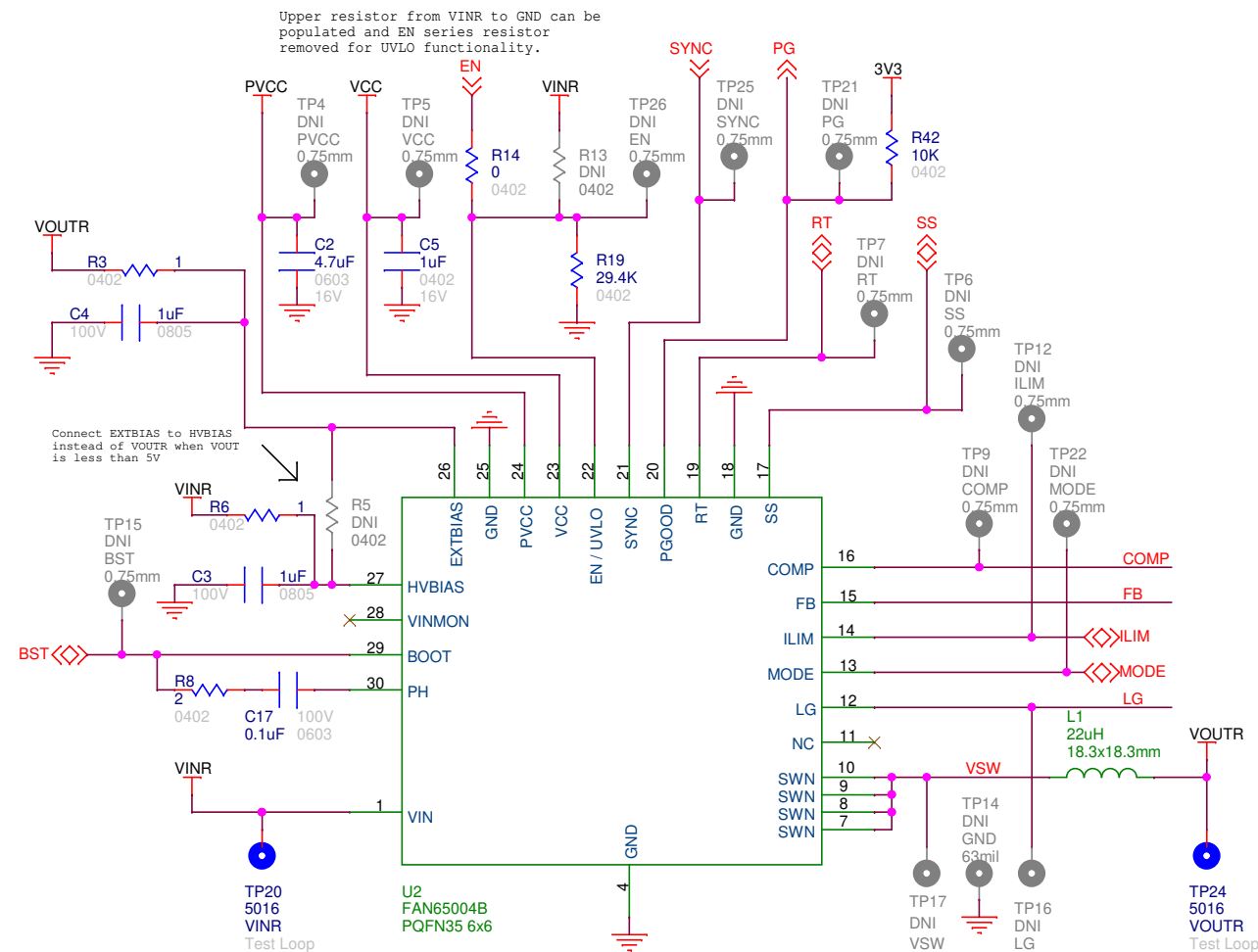
Comment Legend

- Required Hardware
- Optional Hardware
- Telemetry Hardware

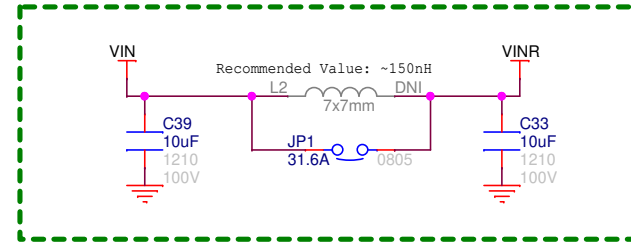
ON Semiconductor		
Title FAN6500XX Sync Buck Converter	Orderable Part Number STR-FAN6500XX-GEVB	
Variant Name FAN65004B	Document Number ONSEC-19-005	Rev REV2
Date: Friday, December 18, 2020	Sheet 1 of 7	1

FAN6500XX Sync Buck

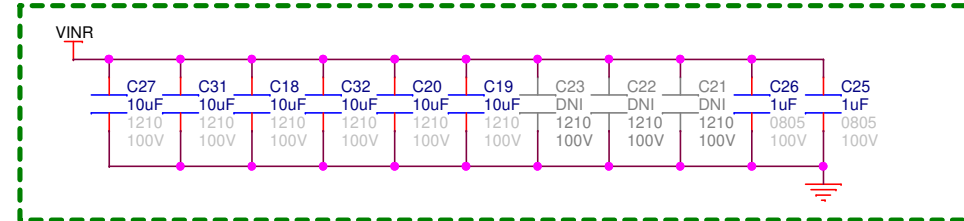
FAN6500XX Controller



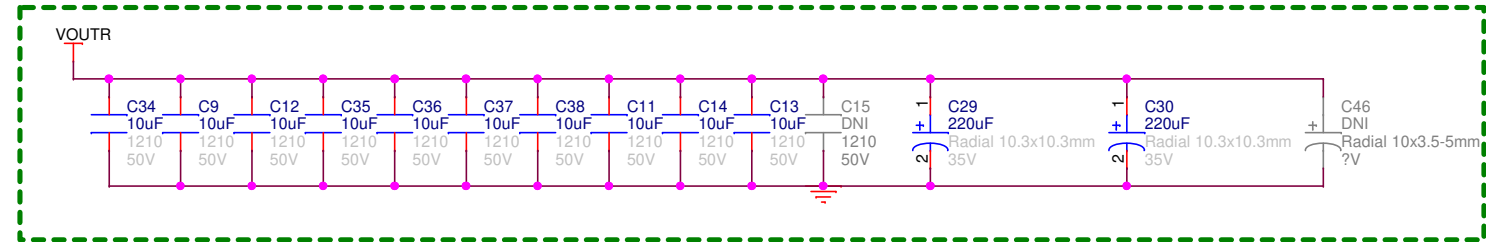
Input Filter



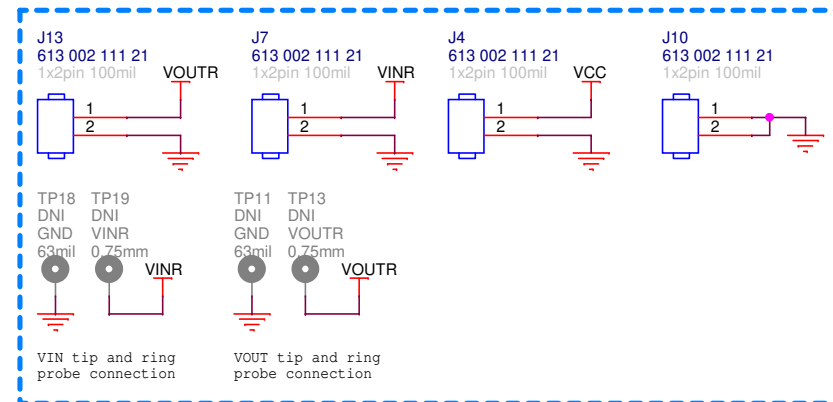
Input Capacitors



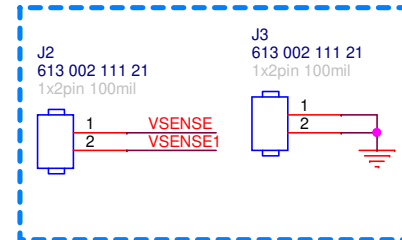
Output Capacitors



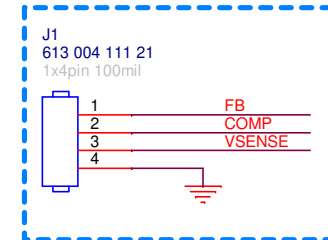
Headers and Test Points



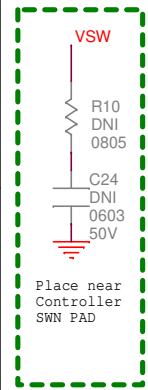
Bode Connection



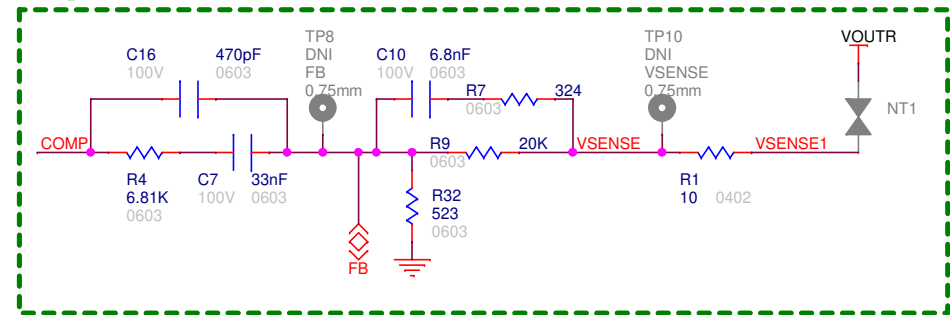
Tuning Connection



Snubber



Compensation

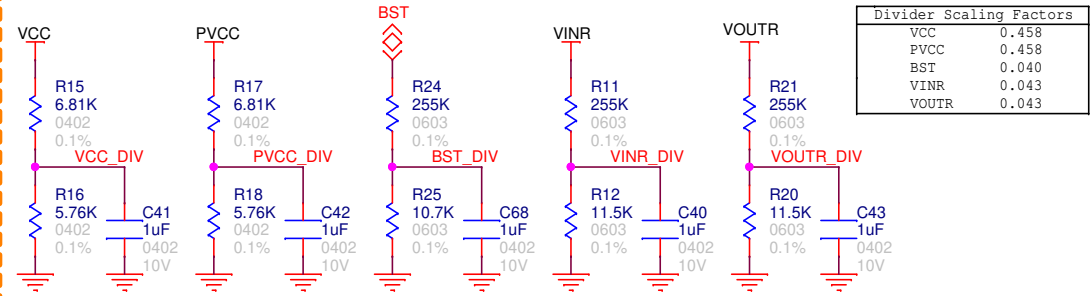


ON Semiconductor

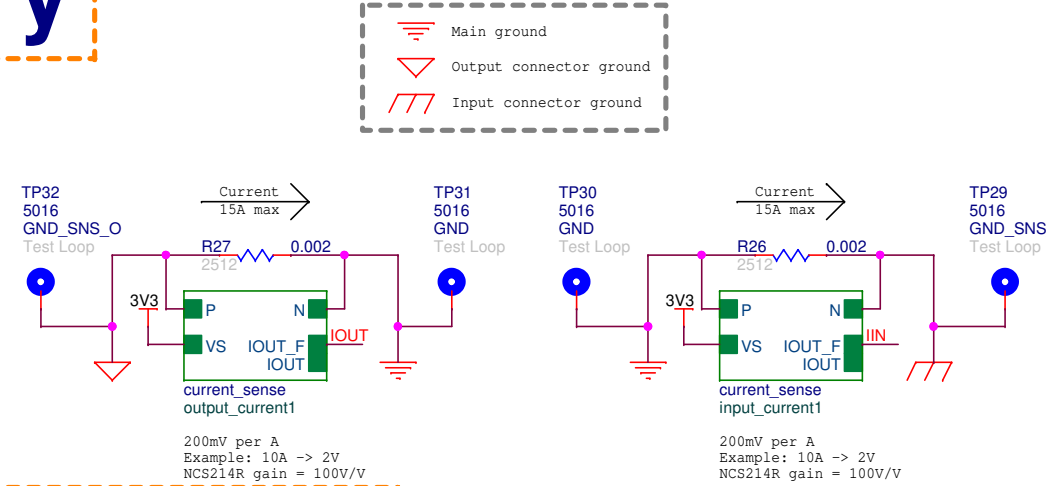
Title FAN6500XX Sync Buck Converter		Orderable Part Number STR-FAN6500XX-GEVB	
Variant Name FAN65004B		Document Number ONSEC-19-005	Rev REV2
Date: Friday, December 18, 2020	Sheet 2 of 7		

Strata Assisted/Telemetry

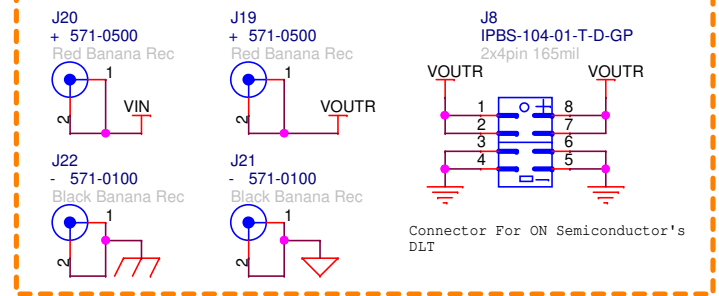
ADC Voltage Dividers



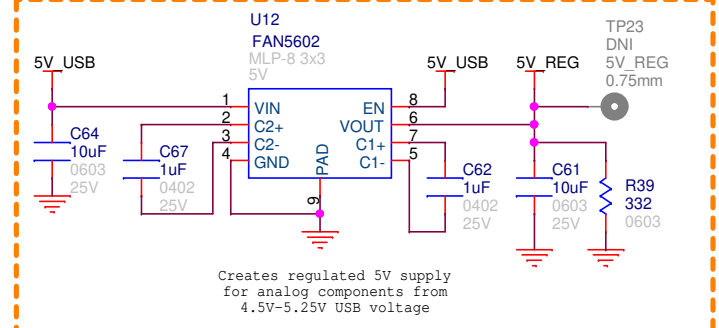
Telemetry



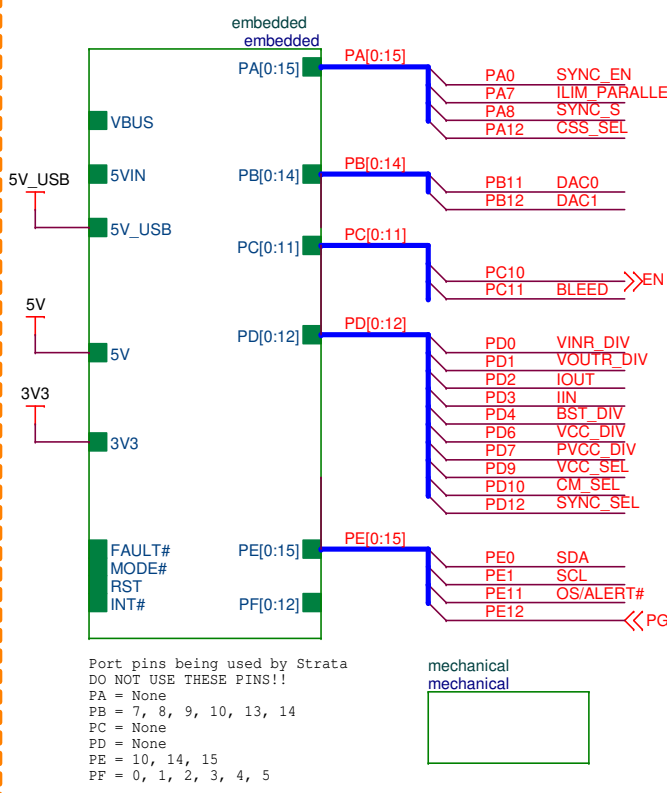
INPUT/OUTPUT Power Connectors



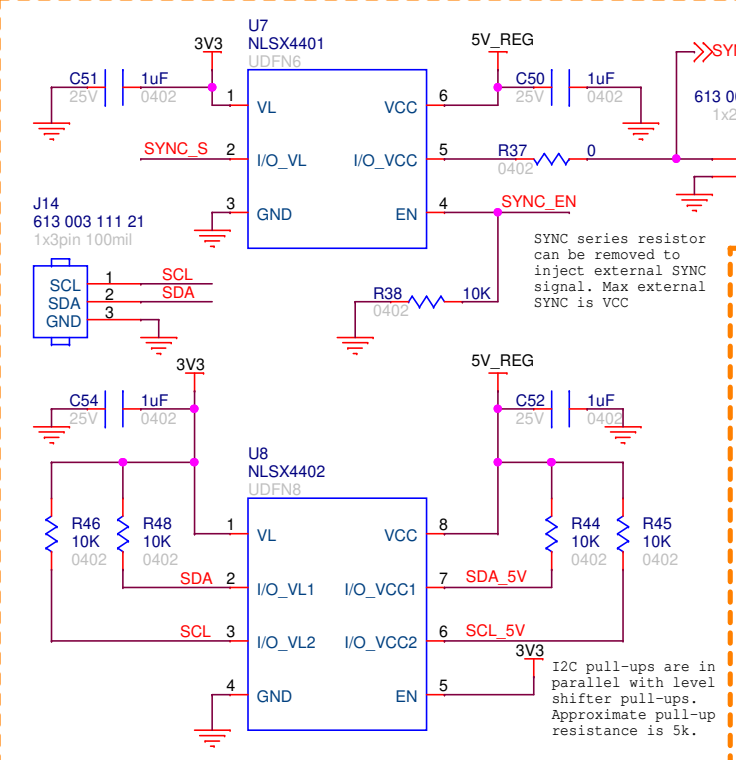
5V LDO/ Charge Pump



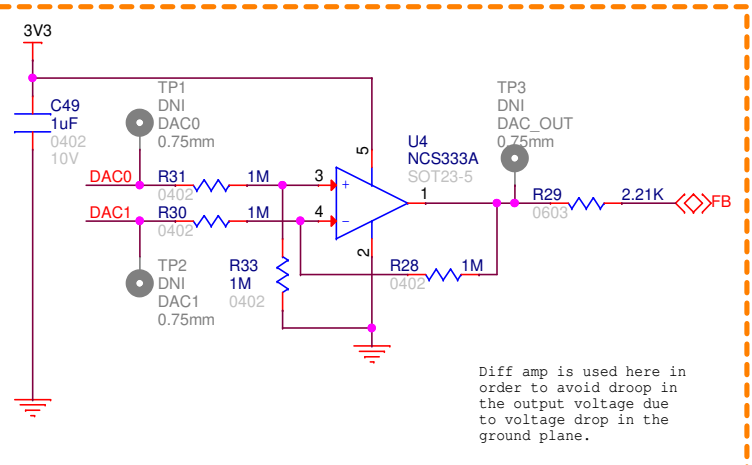
STRATA EMBEDDED



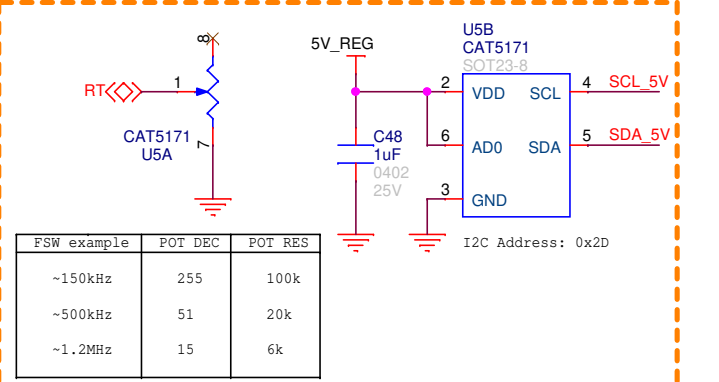
Level Shifters



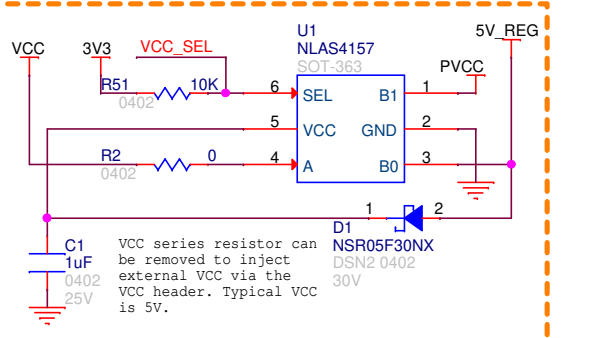
DAC Output Voltage Select



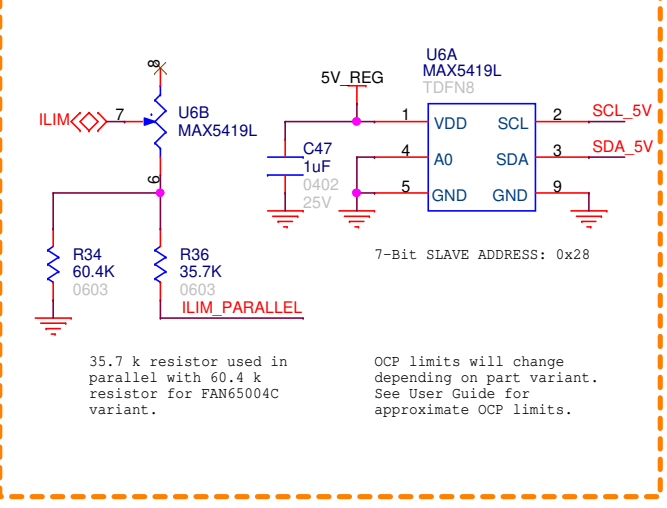
Switching Frequency Select



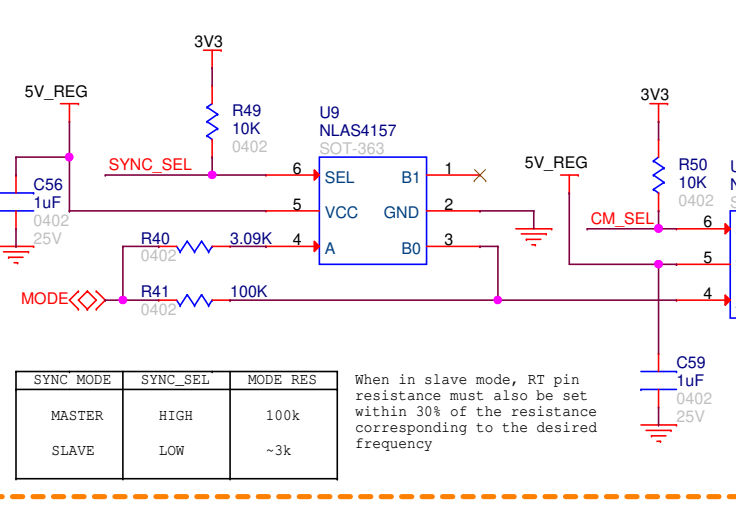
VCC Select Switch



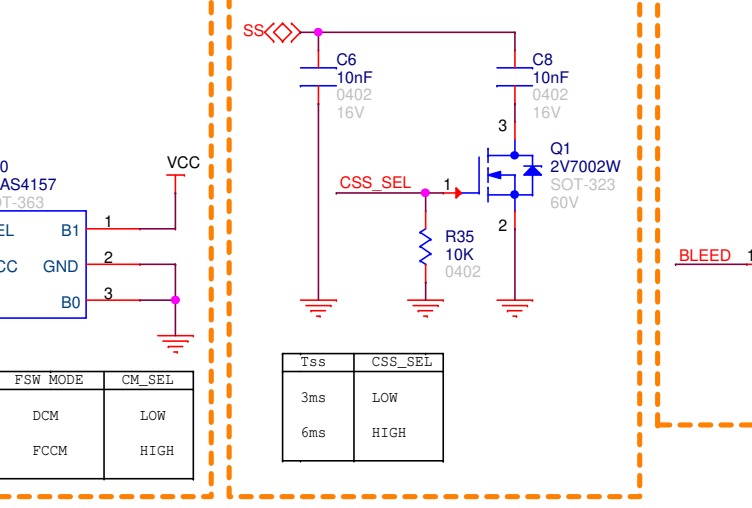
Strata OCP set



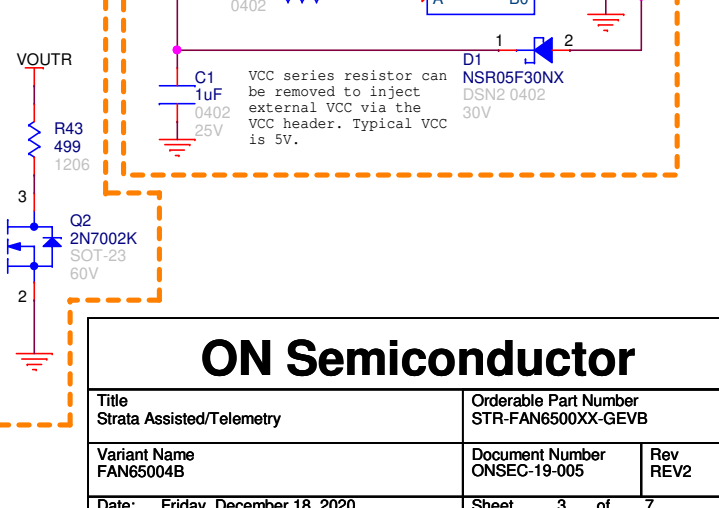
Strata MODE set



Soft-Start Select

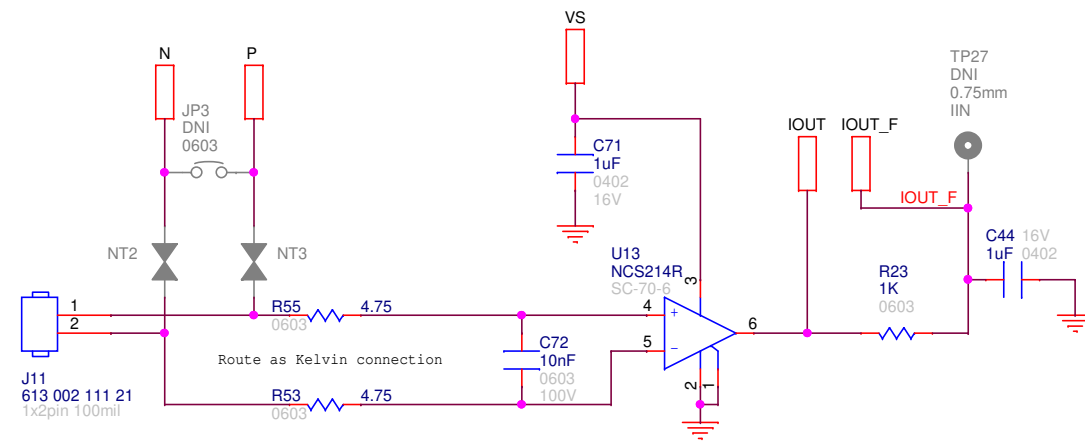


Bleeder

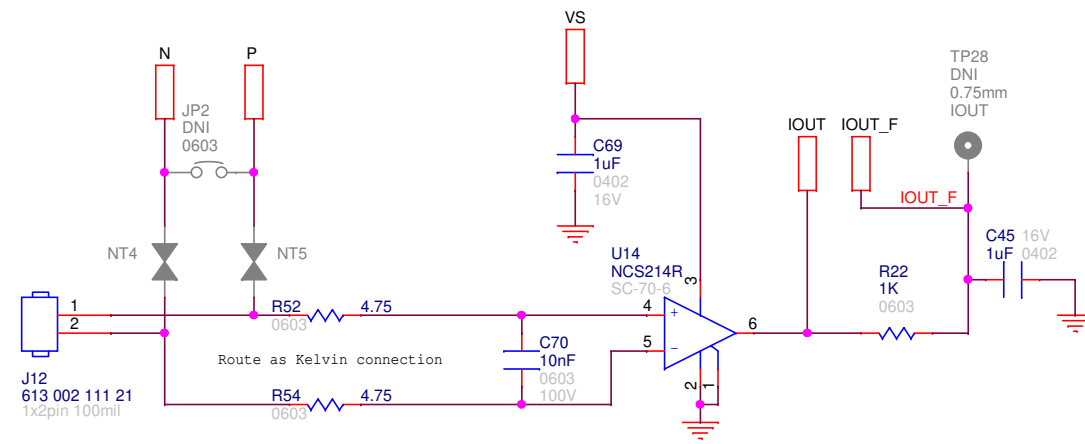


ON Semiconductor

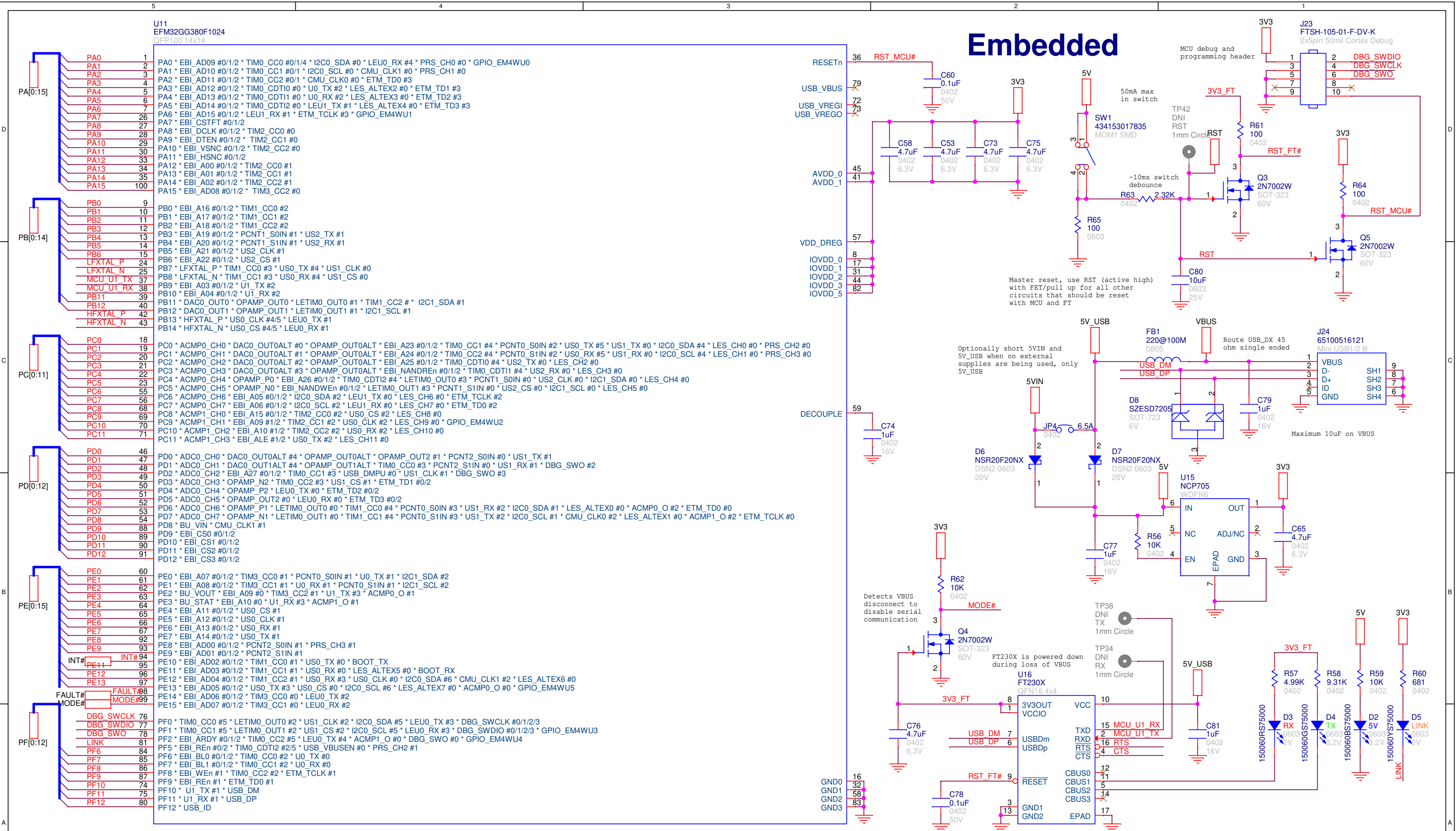
Title Strata Assisted/Telemetry	Orderable Part Number STR-FAN6500XX-GEVB
Variant Name FAN65004B	Document Number ONSEC-19-005
Date: Friday, December 18, 2020	Sheet 3 of 7



ON Semiconductor		
Title Input Current Sense	Orderable Part Number STR-FAN6500XX-GEVB	
Variant Name FAN65004B	Document Number ONSEC-19-005	Rev REV2
Date: Friday, December 18, 2020	Sheet 4 of 7	1



ON Semiconductor		
Title Output Current Sense		Orderable Part Number STR-FAN6500XX-GEVB
Variant Name FAN65004B	Document Number ONSEC-19-005	Rev REV2
Date: Friday, December 18, 2020	Sheet 5 of 7	1



Embedded

Master reset, use RST (active high) with FET/pull up for all other circuits that should be reset with MCU and FT

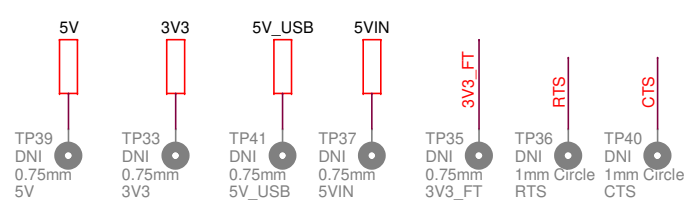
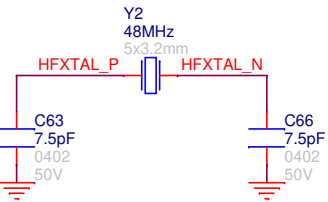
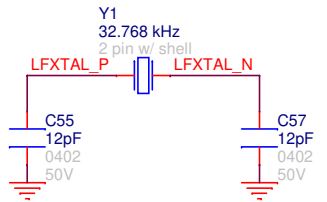
Optionally short 5VIN and 5V_USB when no external supplies are being used, only 5V_USB

Detects VBUS disconnect to disable serial communication

U11
EFM32GG380F1024
QFP100 14x14

ON Semiconductor

Title Embedded		Orderable Part Number STR-FAN6500XX-GEVB	
Variant Name FAN65004B		Document Number ONSEC-19-005	Rev REV2
Date: Friday, December 18, 2020		Sheet 6 of 7	



Mechanical



ON Semiconductor		
Title Mechanical		Orderable Part Number STR-FAN6500XX-GEVB
Variant Name FAN65004B	Document Number ONSEC-19-005	Rev REV2
Date: Friday, December 18, 2020	Sheet 7 of 7	1