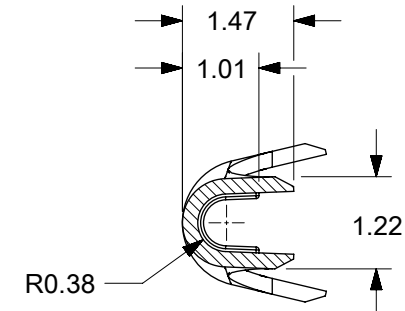
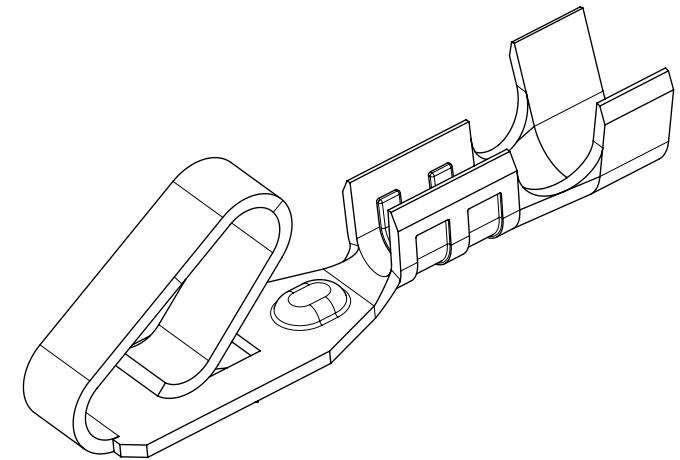
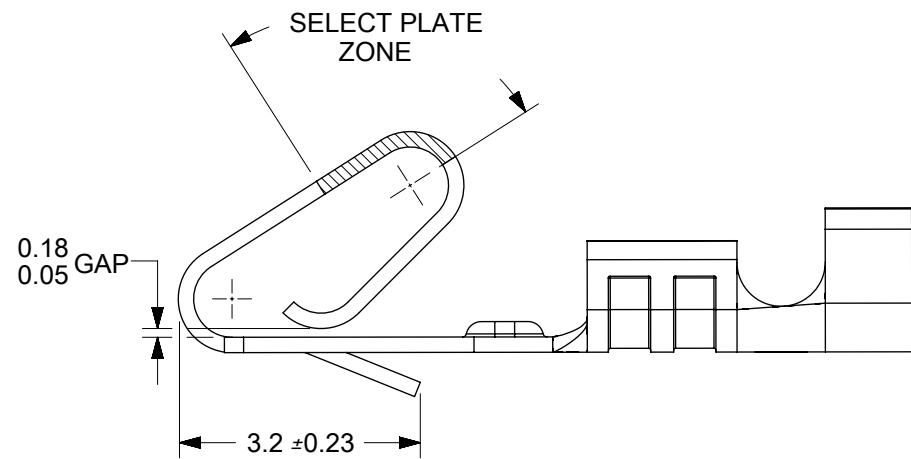
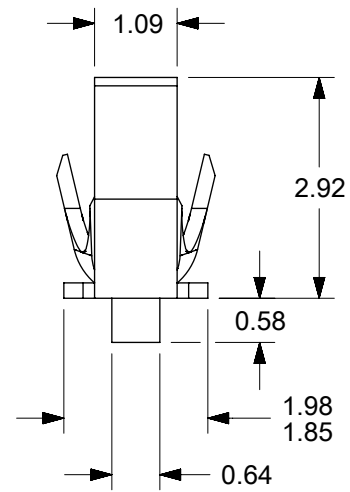


SECTION Z-Z



SECTION Y-Y



NOTES:

- 1.MATERIAL: PHOS BRONZE
- 2.FINISH: SEE CHART
- 3.PRODUCT SPEC: PS 10-07
- 4.PACKAGING SPEC: PK-2759-002
- 5.CRIMP WILL ACCOMODATE 26-28 AWG WIRE.
- 6.DIMENSIONS GIVEN ACROSS CENTERLINES ARE SYMMETRICAL ABOUT THOSE CENTERLINES WITHIN HALF THE TOTAL TOLERANCE.
- 7.INSERTION FORCE OF TERMINAL INTO 2.54 C/L HOUSING IS 11.1 N MAX.
- 8.TERMINAL RETENTION IN HOUSING IS 17.8N MINIMUM WHEN TERMINAL IS PULLED AT A RATE OF 25.4MM PER MINUTE.
- 9.THIS PART CONFORMS TO CLASS B REQUIREMENTS OF COSMETIC SPEC PS-45499-002.

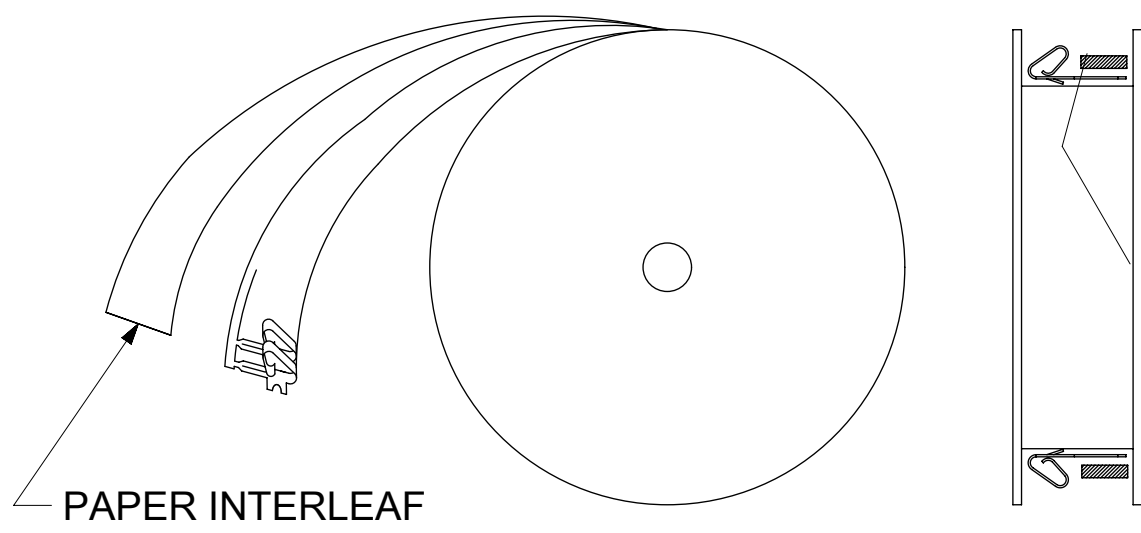
THIS DRAWING CONTAINS INFORMATION THAT IS PROPRIETARY TO MOLEX ELECTRONIC TECHNOLOGIES, LLC AND SHOULD NOT BE USED WITHOUT WRITTEN PERMISSION									
DIMENSION UNITS		SCALE		CURRENT REV DESC: NOTE 4 UPDATED				molex	
mm		10:1							
GENERAL TOLERANCES (UNLESS SPECIFIED)				EC NO: 612916		2019/02/21		TERMINAL, CRIMP, FEMALE	
				DRWN: SS06		2019/02/28		MINI-KK, 26-28 AWG LOW FORCE CONTACT	
4 PLACES ±				CHK'D: ISHWARG		2019/02/28		PRODUCT CUSTOMER DRAWING	
3 PLACES ±				APPR: ISHWARG		2019/02/28		DOCUMENT NUMBER	
2 PLACES ± 0.25 ±				INITIAL REVISION:				SD-6459-200	
1 PLACE ± 0.36 ±				DRWN: JSCHAFFER		2009/01/28		DOC TYPE DOC PART REVISION	
0 PLACES ±				APPR: JCOMERCI		2009/12/08		PSD 001 D2	
ANGULAR TOL ± 0.5 °				THIRD ANGLE PROJECTION		DRAWING		MATERIAL NUMBER	
DRAFT WHERE APPLICABLE MUST REMAIN WITHIN DIMENSIONS				B-SIZE		SERIES		CUSTOMER	
				6459		SEE CHART		GENERAL MARKET	
						SHEET NUMBER		1 OF 2	

DOCUMENT STATUS	P1	RELEASE DATE	2019/02/28	09:20:27
-----------------	----	--------------	------------	----------

ENG.NO	EPD.NO.	PLATING DESCRIPTION
6459-1-(P909)	050-30-4483	HOT TIN DIP 100μ IN MIN OVERALL
6459-1-124	050-30-4484	150μ IN MIN BRIGHT TIN OVER 50μ IN MIN NICKEL
6459-1-223	050-30-4485	150μ IN MIN MATTE TIN OVER 50μ IN MIN NICKEL
6459-1-209	050-30-4473	15μ IN MIN SELECT GOLD OVER 100μ IN MIN SELECT TIN BOTH OVER 50μ IN MIN NICKEL OVERALL
6459-1-213	050-30-4474	30μ IN MIN SELECT GOLD OVER 100μ IN MIN SELECT TIN BOTH OVER 50μ IN MIN NICKEL OVERALL
6459-1-216	050-30-4475	50μ IN MIN SELECT GOLD OVER 100μ IN MIN SELECT TIN BOTH OVER 50μ IN MIN NICKEL OVERALL

LEGEND: 6459-1-***
 PLATING CODE PER ES-88
 OPTIMIZED CRIMP SECTIONS

WINDING DETAIL



THIS DRAWING CONTAINS INFORMATION THAT IS PROPRIETARY TO MOLEX ELECTRONIC TECHNOLOGIES, LLC AND SHOULD NOT BE USED WITHOUT WRITTEN PERMISSION									
DIMENSION UNITS		SCALE		CURRENT REV DESC: NOTE 4 UPDATED				molex	
mm		10:1							
GENERAL TOLERANCES (UNLESS SPECIFIED)				EC NO: 612916				TERMINAL, CRIMP, FEMALE MINI-KK, 26-28 AWG LOW FORCE CONTACT	
		MM	INCH	DRWN: SS06		2019/02/21			
4 PLACES		±	±	CHK'D: ISHWARG		2019/02/28		PRODUCT CUSTOMER DRAWING	
3 PLACES		±	±	APPR: ISHWARG		2019/02/28			
2 PLACES		± 0.25	±	INITIAL REVISION:				DOCUMENT NUMBER	
1 PLACE		± 0.36	±	DRWN: JSCHAFFER		2009/01/28		SD-6459-200	
0 PLACES		±	±	APPR: JCOMERCI		2009/12/08		DOC TYPE	DOC PART
ANGULAR TOL		± 0.5 °		THIRD ANGLE PROJECTION		DRAWING		SERIES	MATERIAL NUMBER
DRAFT WHERE APPLICABLE MUST REMAIN WITHIN DIMENSIONS				C-SIZE		6459		CUSTOMER	SHEET NUMBER
DOCUMENT STATUS		P1	RELEASE DATE	2019/02/28	09:20:27	SEE CHART		GENERAL MARKET	2 OF 2