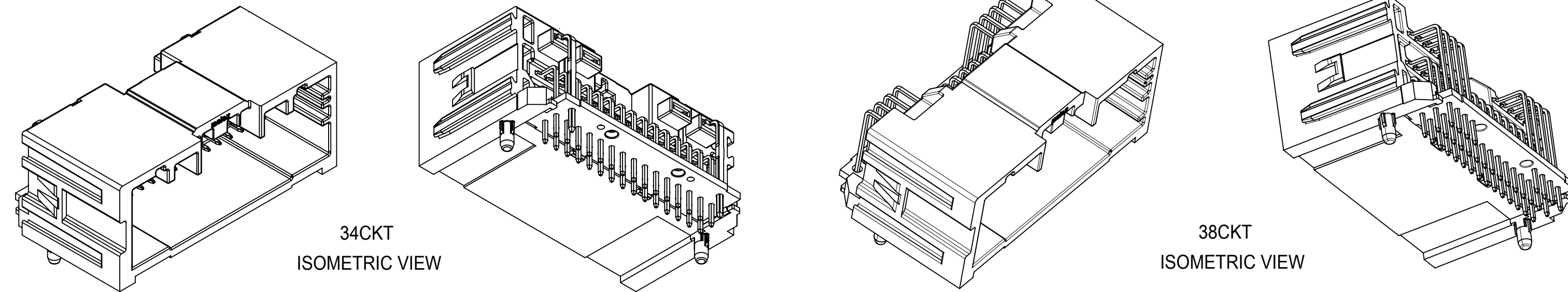


TABLE OF CONTENTS	
SHEET NO.	SHEET DESCRIPTION
1	NOTES,INSPECTION BALLOON NUMBER LOG, REV.COLUMN, PIN CONFIGURATION TABLE, ISOMETRIC VIEW, NOMINAL DIMENSION RANGE
2	34&38WAY POLARIZATION OPTION VIEW, HB/V0 VERSION DIFFERENCE
3	DETAIL DIMENSION VIEW REFERENCE PCB LAYOUT



- NOTES: VALID UNLESS OTHERWISE SPECIFIED
1. GENERAL:
- CONNECTOR HEADER MUST BE VALIDATED TO THE FOLLOWING FUNCTIONAL REQUIREMENTS:
 HB VALIDATION SPECIFICATION = GMW3191 JUNE 2012
 V0 VALIDATION SPECIFICATION = USCAR-2 REV6
 SOLDERABILITY = SMES-152
 - APPLICATION REQUIREMENTS:
 SEE APPLICATION SPECIFICATION = AS-34959-001
 SEE HB PRODUCT SPECIFICATION = PS-34959-001
 SEE V0 PRODUCT SPECIFICATION = 2133550000-PS
 MATES WITH: SD-34959-030
 FULL PIN HEADER SD DRAWING(FOR REFERENCE): SD-34961-030
 - PACKAGING SPECIFICATION: SEE PIN CONFIGURATION TABLE
2. DESIGN MATERIALS:
- HEADER HSG (PLASTIC HOUSING):
 HB RESIN - SPS 30% GF
 V0 RESIN - SPS 30% GF
 - PIN ALIGNMENT PLATE:
 HB RESIN - SPS 30% GF
 V0 RESIN - SPS 30% GF
 - 0.50MM BLADES:
 BASE MATERIAL: C26800
 PLATING TYPE: AS NOTED
 - 1.20MM BLADES:
 BASE MATERIAL: C26800
 PLATING TYPE: AS NOTED
3. PLATING REQUIREMENTS:
- UNDERPLATING - OVERALL NICKEL
 - OVERPLATING - OVERALL TIN

34CKT PIN CONFIGURATION TABLE

DESCRIPTION	MATERIAL NUMBER			POL	UL94# TYPE	COLOR	QTY OF PIN	PIN CONFIGURATION																			STATUS	
	TRAY PACKAGING PK-31302-070	TUBE PACKAGING PK-31301-688	TAPE AND REEL PK-47799-0001					1	2														3	4				
								5	6	7	8	9	10	11	12	13	14	15	16	17	18	19						
								20	21	22	23	24	25	26	27	28	29	30	31	32	33	34						
34CKT MINI50 RIGHT ANGLE HEADER ASSEMBLY	34961-1340	TBD	34961-9340	A	HB	BLACK	32	X	-														-	X	SALEABLE			
34CKT MINI50 RIGHT ANGLE HEADER ASSEMBLY	2133551340	TBD	2133559340	A	V0	BLACK	32	X	X	X	X	X	X	X	X	X	X	X	X	X	X	X	X	X	X	X	SALEABLE	
34CKT MINI50 RIGHT ANGLE HEADER ASSEMBLY	34961-1341	TBD	34961-9341	B	HB	GREY	32	X	-														-	X	SALEABLE			
34CKT MINI50 RIGHT ANGLE HEADER ASSEMBLY	2133551341	TBD	2133559341	B	V0	GREY	32	X	X	X	X	X	X	X	X	X	X	X	X	X	X	X	X	X	X	X	SALEABLE	
34CKT MINI50 RIGHT ANGLE HEADER ASSEMBLY	34961-1342	TBD	34961-9342	C	HB	DK GREY	32	X	-														-	X	SALEABLE			
34CKT MINI50 RIGHT ANGLE HEADER ASSEMBLY	2133551342	TBD	2133559342	C	V0	DK GREY	32	X	X	X	X	X	X	X	X	X	X	X	X	X	X	X	X	X	X	X	SALEABLE	
34CKT MINI50 RIGHT ANGLE HEADER ASSEMBLY	34961-1343	TBD	34961-9343	A	HB	BLACK	18	-	-	X	X	-	-	X	X	-	-	X	X	-	-	X	X	-	-	X	X	SALEABLE
34CKT MINI50 RIGHT ANGLE HEADER ASSEMBLY	34961-1344	TBD	TBD	A	HB	BLACK	32	X	X	X	-	X	X	X	X	X	X	X	X	X	X	-	X	X	X	X	SALEABLE	
34CKT MINI50 RIGHT ANGLE HEADER ASSEMBLY	34961-1345	TBD	TBD	B	HB	GERY	32	X	X	X	-	X	X	X	X	X	X	X	X	X	X	-	X	X	X	X	SALEABLE	

("X": WITH TERMINAL, "-": WITHOUT TERMINALS,CAVITY IS OPEN)

38CKT PIN CONFIGURATION TABLE

DESCRIPTION	MATERIAL NUMBER			POL	COLOR	QTY OF PIN	PIN CONFIGURATION																							STATUS
	TRAY PACKAGING PK-31302-070	TUBE PACKAGING PK-31301-688	TAPE AND REEL PK-47799-0001				1	2	3	4														5	6	7	8			
							9	10	11	12	13	14	15	16	17	18	19	20	21	22	23									
							24	25	26	27	28	29	30	31	32	33	34	35	36	37	38									
38CKT MINI50 RIGHT ANGLE HEADER ASSEMBLY	34961-1380	TBD	TBD	UPDATED A	BLACK	31	X	X	X	-														X	X	X	X	SALEABLE		
38CKT MINI50 RIGHT ANGLE HEADER ASSEMBLY	34961-1381	TBD	TBD	UPDATED B	GREY	14	-	-	-	-	X	X	-	-	X	X	-	-	-	-	-	-	-	-	-	-	SALEABLE			
38CKT MINI50 RIGHT ANGLE HEADER ASSEMBLY	34961-1382	TBD	34961-9382	UPDATED A	BLACK	30	-	-	-	-														-	-	-	-	SALEABLE		
38CKT MINI50 RIGHT ANGLE HEADER ASSEMBLY	34961-1383	TBD	34961-9383	UPDATED B	GREY	30	X	X	X	X	X	X	X	X	X	X	X	X	X	X	X	X	X	X	X	X	X	SALEABLE		
38CKT MINI50 RIGHT ANGLE HEADER ASSEMBLY	34961-1384	TBD	34961-9384	UPDATED C	DK GREY	30	X	X	X	X	X	X	X	X	X	X	X	X	X	X	X	X	X	X	X	X	SALEABLE			

("X": WITH TERMINAL, "-": WITHOUT TERMINALS,CAVITY IS OPEN)

DIN 16901	CODE LETTER	NOMINAL DIMENSION RANGE													
		OVER	0	1	3	6	10	15	22	30	40	53	70	90	120
		UP TO	1	3	6	10	15	22	30	40	53	70	90	120	160
PRECISION ENGINEERING	A		±0.10	±0.12	±0.14	±0.16	±0.20	±0.22	±0.24	±0.26	±0.31	±0.35	±0.40	±0.50	
	B		±0.05	±0.06	±0.07	±0.08	±0.10	±0.12	±0.14	±0.16	±0.18	±0.21	±0.25	±0.30	±0.40

A: FOR NON-MOLD RELATED DIMENSIONS (ACROSS PARTING LINE)
 B: FOR MOLD RELATED DIMENSIONS (WITHIN MOLD COMPONENTS)

INSPECTION BALLOON NUMBER LOG	
PER DRAWING REVISION:	A10
LAST BALLOON NUMBER USED:	8A
ADDED BALLOON NUMBERS:	
REMOVED BALLOON NUMBERS:	FROM 9 To 18

SYMBOLS THIS DRAWING CONTAINS INFORMATION THAT IS PROPRIETARY TO MOLEX ELECTRONIC TECHNOLOGIES, LLC AND SHOULD NOT BE USED WITHOUT WRITTEN PERMISSION

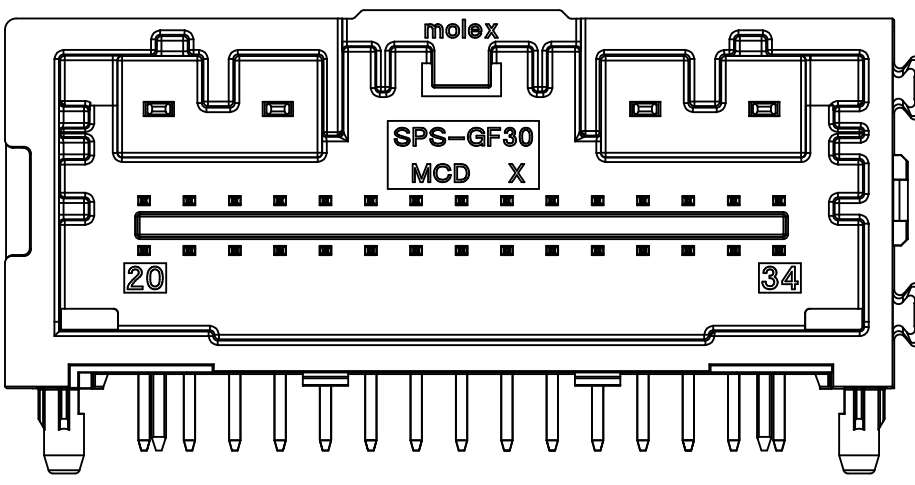
▽ = 0	mm	SCALE 2:1
▽ = 0	GENERAL TOLERANCES (UNLESS SPECIFIED)	
▽ = 0	ANGULAR TOL ± 1.0°	
▽ = 0	4 PLACES ±	
▽ = 0	3 PLACES ±	
▽ = 0	2 PLACES ±	
▽ = 0	1 PLACE ±	
▽ = 0	0 PLACES ±	
□ = 0	THIRD ANGLE PROJECTION MUST REMAIN WITHIN DIMENSIONS	

CURRENT REV DESC:		ECN NO: 636289	
DRWN: SWU31	2020/04/20	34&38CKT MINI50 DEPOPULATED PINS HEADER SALES DRAWING	
CHK'D: CDZHANG	2020/12/11	PRODUCT CUSTOMER DRAWING	
APPR: CDZHANG	2020/12/11	DOCUMENT NUMBER: SD-34961-130	
INITIAL REVISION:		DOC TYPE: PSD	DOC PART: 001
DRWN: JFISCHER01	2015/12/10	REVISION: A10	
APPR: RBAUMAN	2015/12/14	SHEET NUMBER: 1 OF 3	

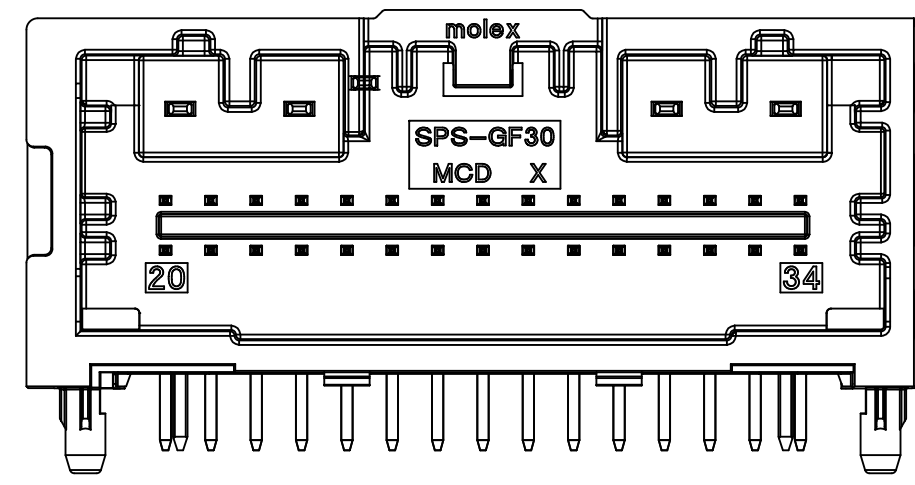
DRIVING	D-SIZE	SERIES	34961	GENERAL MARKET		
---------	--------	--------	-------	----------------	--	--

A10	1. SHEET 1: ADDED PART NUMBER 34961-1343; 34961-9343; 34961-1344; 34961-1345 2. SHEET 1: STATUS OF 2133551341; 2133559341; 2133551342; 2133559342: WAS OK TO TOOL 3. SHEET 1: ADDED GENERAL TOLERANCE TABLE PER DIN 16961 4. SHEET 1: ADDED FULL LOADED HEADER SD DRAWING NUMBER IN NOTE_1b 5. SHEET 3: REMOVED THE BALLOON NUMBER FOR DIMENSION OF PCB LAYOUT 6. SHEET 3: DIM5 WAS 16.60	636289
A9	1. UPDATED BELOW V0 PART NUMBER STATUS TO SALEABLE IN SHEET 1: 2133551340, 2133559340 2. ADDED V0 VALIDATION SPECIFICATION AND V0 PRODUCT SPECIFICATION INFORMATION IN NOTES. 3. UPDATED V0/HB DIFFERENT FEATURE VIEWS IN SHEET 2.	631855
A8	1. ADDED NEW V0 PART NUMBER IN SHEET 1: 2133551340 / 2133551341 / 2133551342 2133559340 / 2133559341 / 2133559342 2. ADDED V0 MATERIAL INFORMATION IN NOTES 3. ADDED SHEET 2 TO SHOW THE POLARIZATION OPTION VIEW AND V0/HB DIFFERENT FEATURE VIEWS	625904
A7	ADDED NEW PART NUMBER IN SHEET 1: 34961-1382/34961-1383/34961-1384 34961-9382/34961-9383/34961-9384	613431
A6	1. ADDED NEW MINI50 38WAY PART NUMBER IN SHEET 1 2. ADDED MINI50 38WAY PCB LAYOUT IN SHEET 2 3. ADDED DIM17 & DIM18	611160
REV	REV DESCRIPTION	ECN SAP NO.

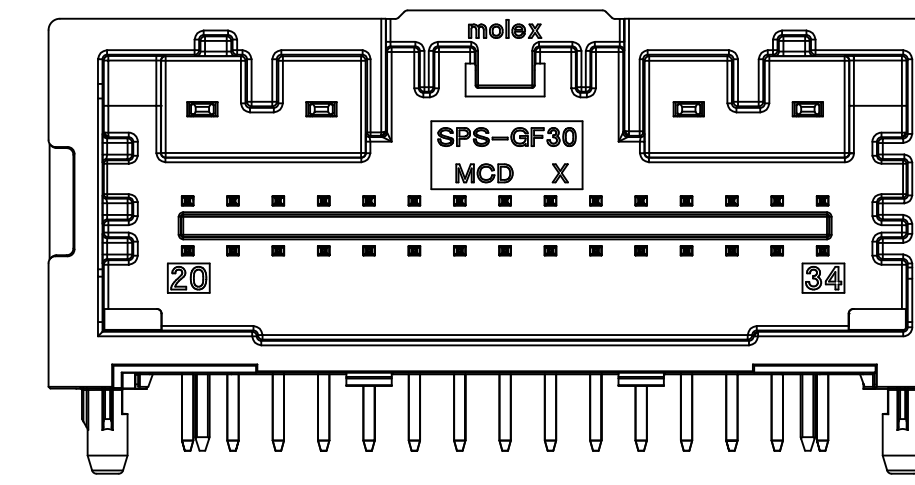
TABLE OF CONTENTS	
SHEET NO.	SHEET DESCRIPTION
2	34&38WAY POLARIZATION OPTION VIEW, HB/V0 VERSION DIFFERENCE



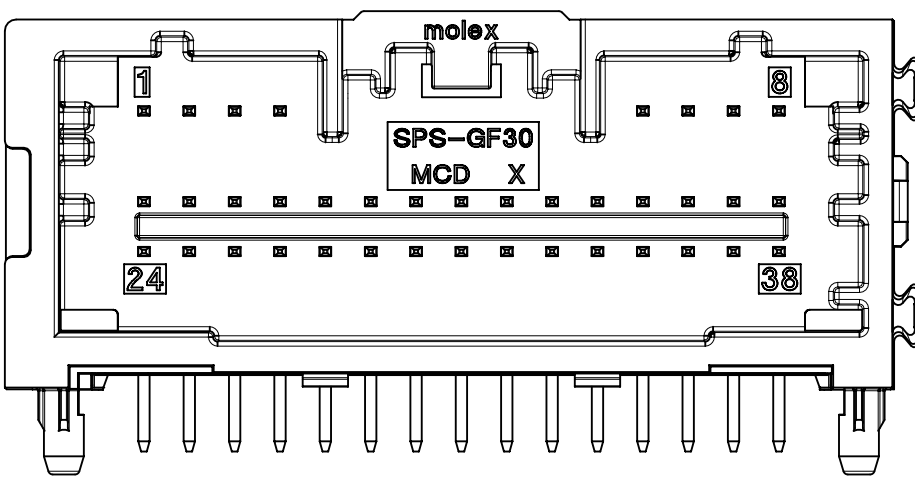
34CKT POLARIZATION OPTION 'A'



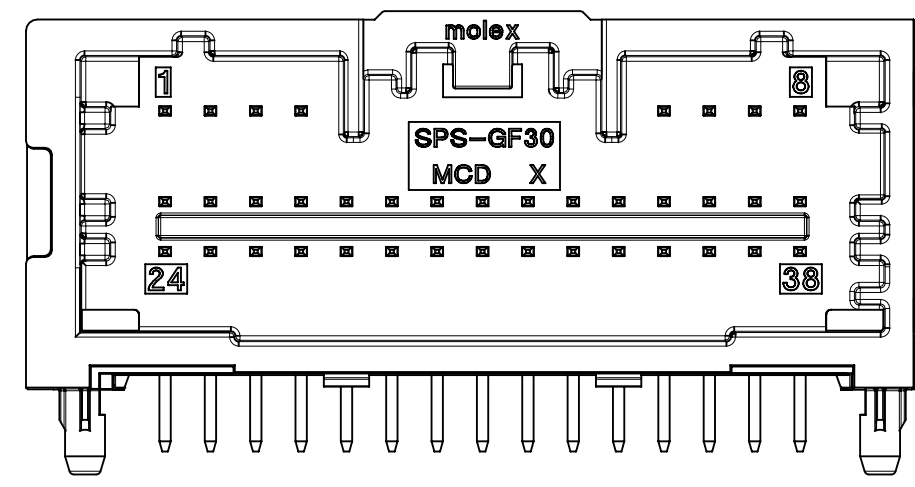
34CKT POLARIZATION OPTION 'B'



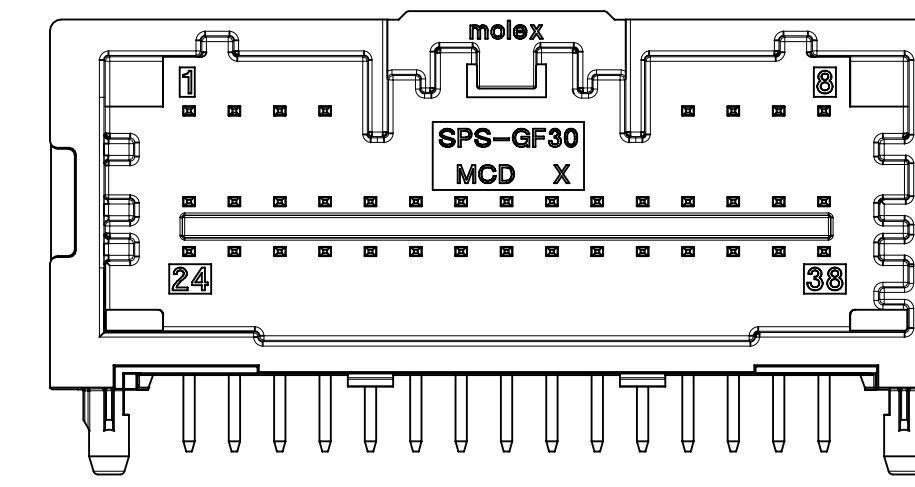
34CKT POLARIZATION OPTION 'C'



38CKT POLARIZATION OPTION UPDATED 'A'

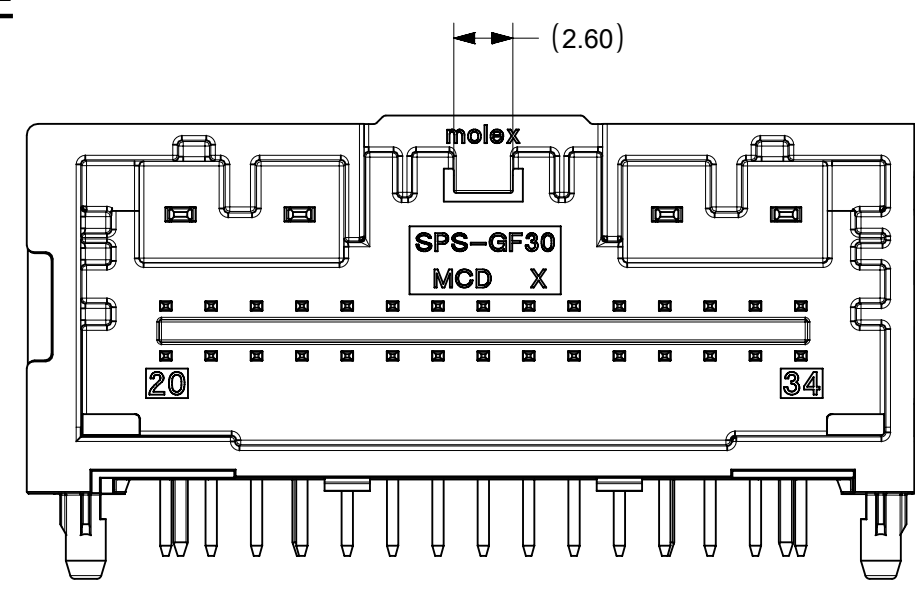
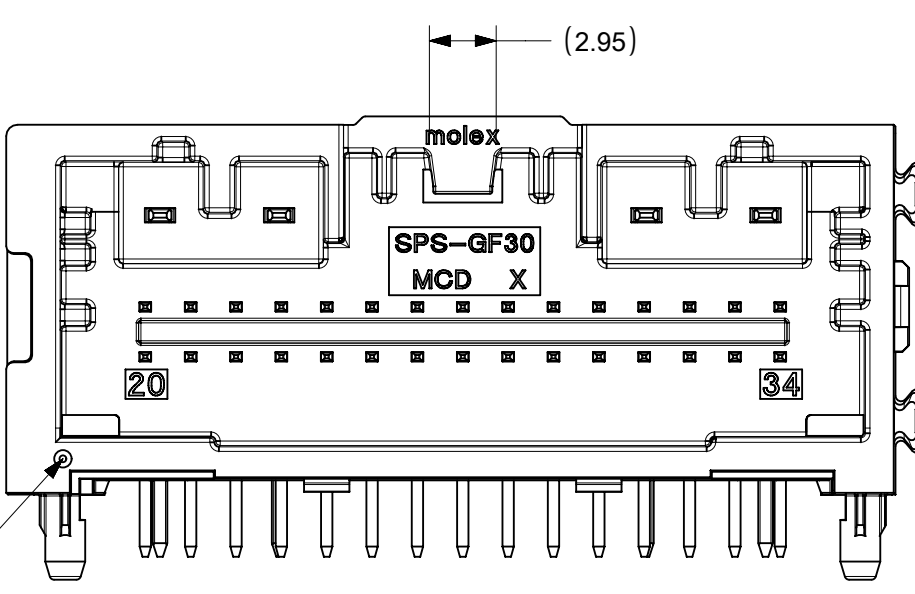


38CKT POLARIZATION OPTION UPDATED 'B'

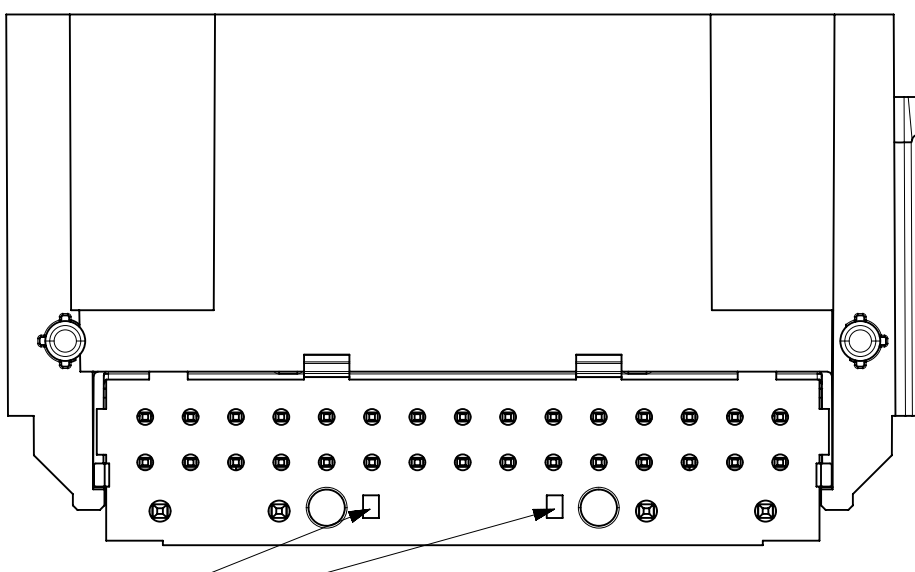


38CKT POLARIZATION OPTION UPDATED 'C'

HB / V0 VERSION DIFFERENCE



DEPRESSION FEATURE ADDED TO V0 PART TO DISTINGUISH FROM HB PART



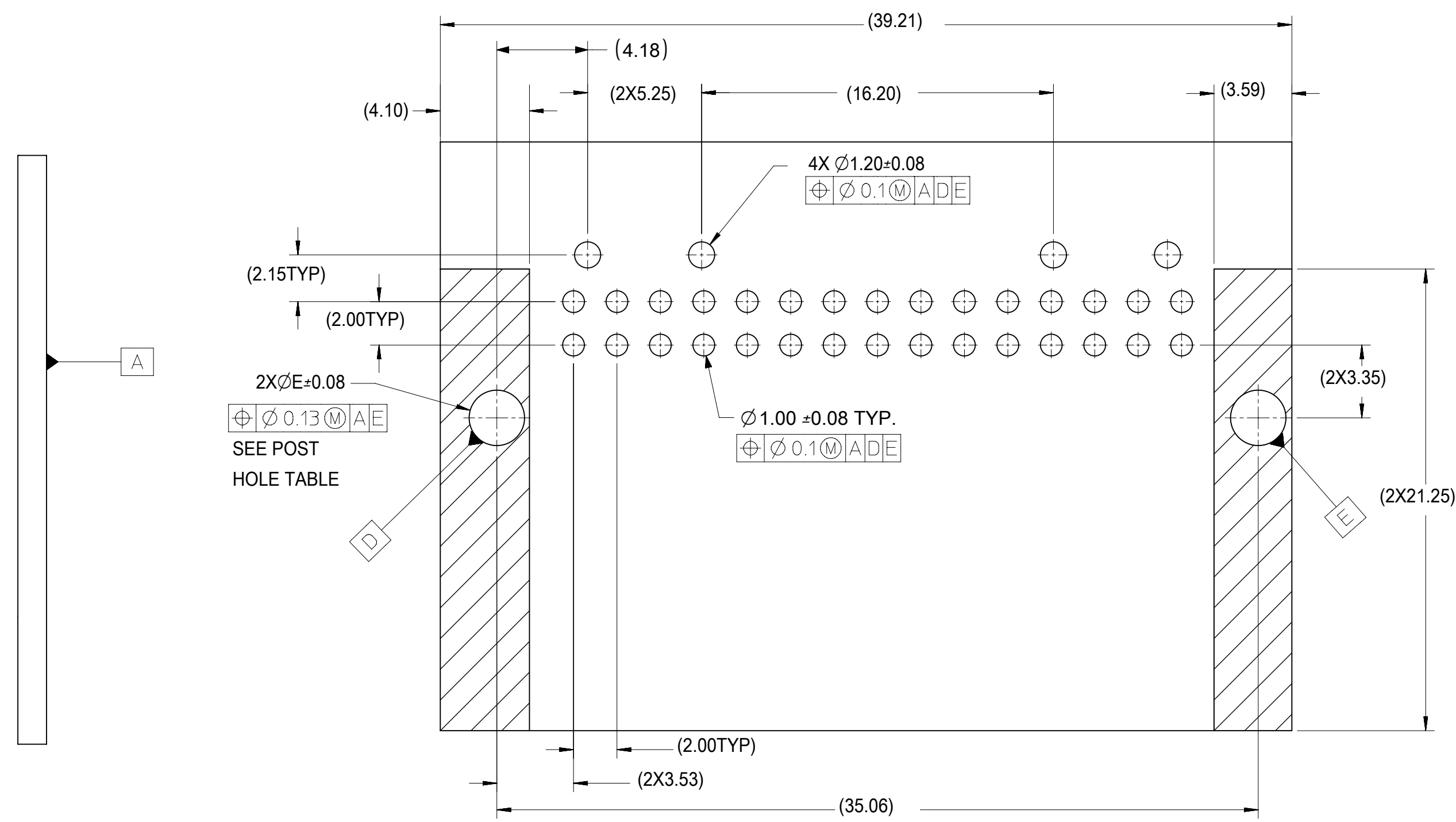
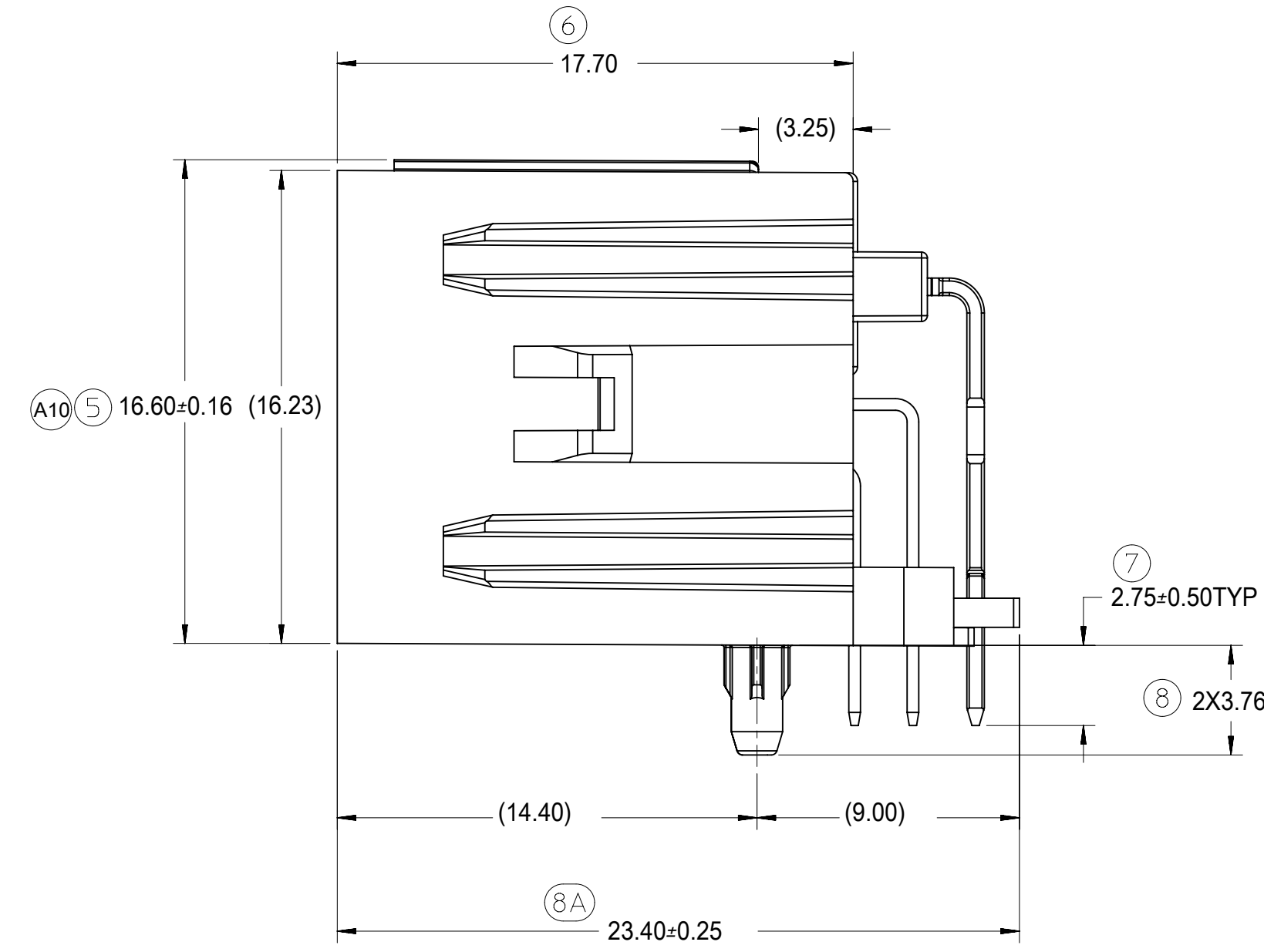
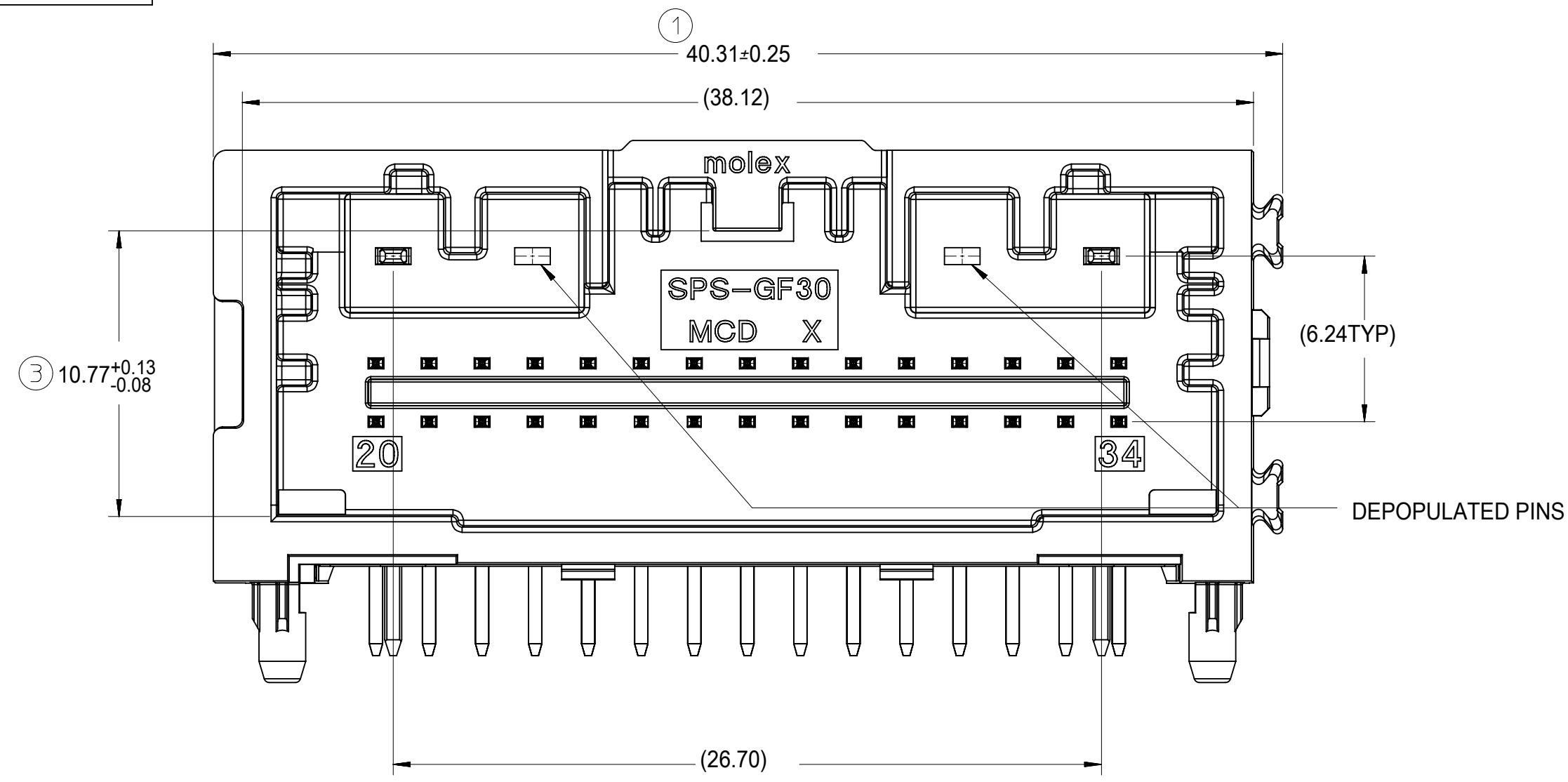
HOLE FEATURE ADDED TO V0 PART TO DISTINGUISH FROM HB PART

V0 P/Ns: 213355XXXX
APPLIES TO ALL CKT SIZES, USE 34CKT AS SHOWN

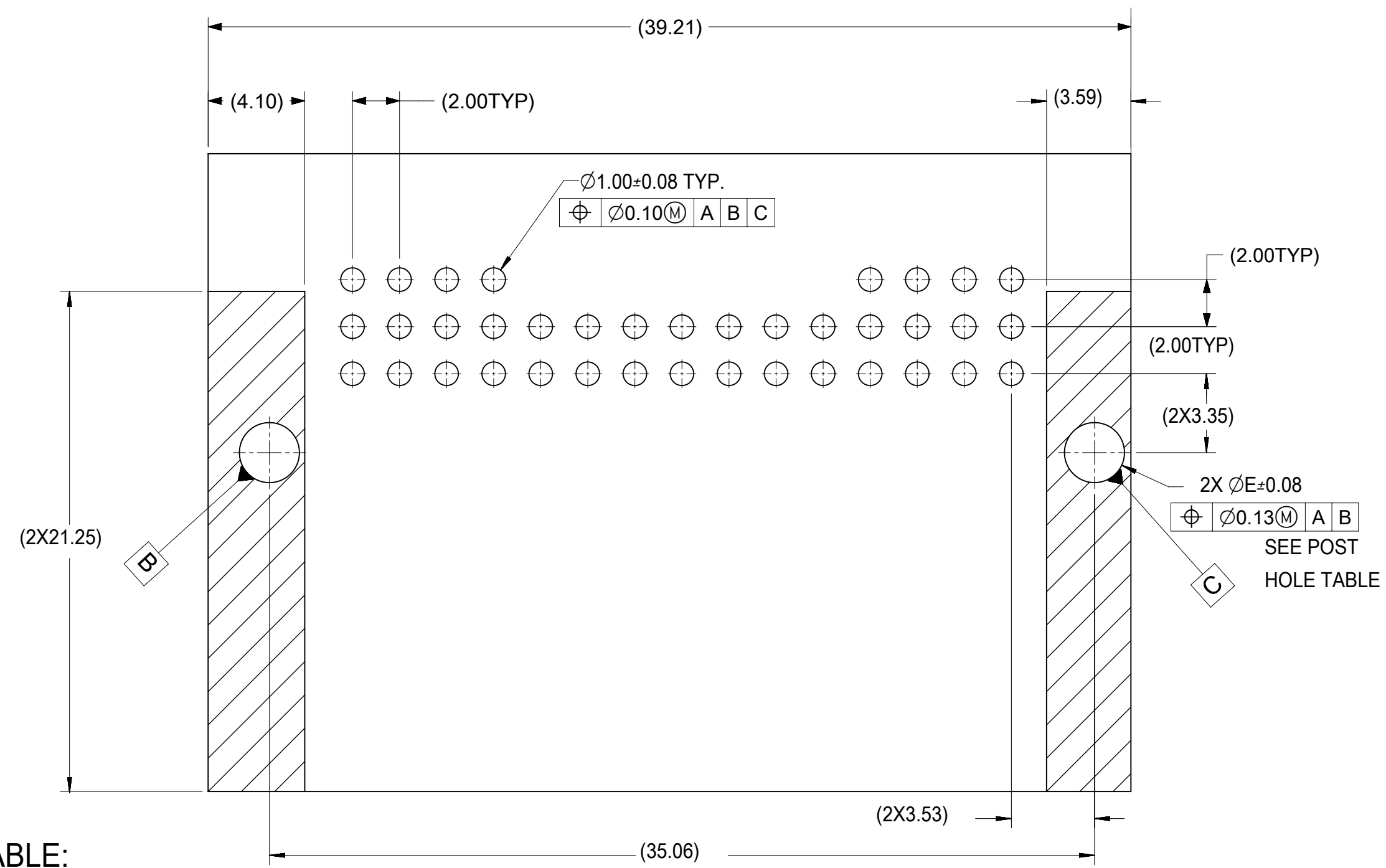
HB P/Ns: 34961XXXX
APPLIES TO ALL CKT SIZES, USE 34CKT AS SHOWN

SYMBOLS = 0 = 0 = 0 = 0 = 0 = 0 = 0 = 0 = 0 = 0 = 0 = 0	THIS DRAWING CONTAINS INFORMATION THAT IS PROPRIETARY TO MOLEX ELECTRONIC TECHNOLOGIES, LLC AND SHOULD NOT BE USED WITHOUT WRITTEN PERMISSION		SCALE 3:1		CURRENT REV DESC:						
	DIMENSION UNITS mm		GENERAL TOLERANCES (UNLESS SPECIFIED)		EC NO: 636289 DRWN: SWU31 2020/04/20 CHK'D: CDZHANG 2020/12/11 APPR: CDZHANG 2020/12/11				34&38CKT MINI50 DEPOPULATED PINS HEADER SALES DRAWING		
ANGULAR TOL ± 1.0°		4 PLACES ±		INITIAL REVISION:		PRODUCT CUSTOMER DRAWING					
3 PLACES ±		2 PLACES ±		DRWN: JFISCHER01 2015/12/10 APPR: RBAUMAN 2015/12/14		DOCUMENT NUMBER SD-34961-130		DOC TYPE PSD	DOC PART 001	REVISION A10	
1 PLACE ±		0 PLACES ±		DRAFT WHERE APPLICABLE MUST REMAIN WITHIN DIMENSIONS		THIRD ANGLE PROJECTION 		MATERIAL NUMBER D-SIZE 34961		CUSTOMER GENERAL MARKET	SHEET NUMBER 2 OF 3

TABLE OF CONTENTS	
SHEET NO.	SHEET DESCRIPTION
3	DETAIL DIMENSION VIEW, REFERENCE PCB LAYOUT



REFERENCE 34WAY PCB LAYOUT



REFERENCE 38WAY PCB LAYOUT

POST HOLE TABLE:

FOR DIM E:	
PRESS FIT:	2.15
DROP IN:	2.55

SYMBOLS	THIS DRAWING CONTAINS INFORMATION THAT IS PROPRIETARY TO MOLEX ELECTRONIC TECHNOLOGIES, LLC AND SHOULD NOT BE USED WITHOUT WRITTEN PERMISSION		CURRENT REV DESC:		
	▽ = 0	DIMENSION UNITS: mm	SCALE: 3:1		
▽ = 0	GENERAL TOLERANCES (UNLESS SPECIFIED)		EC NO: 636289		34&38CKT MINI50 DEPOPULATED PINS HEADER SALES DRAWING
▽ = 0	ANGULAR TOL ± 1.0°		DRWN: SWU31 2020/04/20		
▽ = 0	4 PLACES ±		CHK'D: CDZHANG 2020/12/11		PRODUCT CUSTOMER DRAWING
▽ = 0	3 PLACES ±		APPR: CDZHANG 2020/12/11		
▽ = 0	2 PLACES ±		INITIAL REVISION:		DOCUMENT NUMBER: SD-34961-130 DOC TYPE: PSD DOC PART: 001 REVISION: A10
▽ = 0	1 PLACE ±		DRWN: JFISCHER01 2015/12/10		
▽ = 0	0 PLACES ±		APPR: RBAUMAN 2015/12/14		MATERIAL NUMBER: 34961 CUSTOMER: GENERAL MARKET SHEET NUMBER: 3 OF 3
▽ = 0	DRAFT WHERE APPLICABLE MUST REMAIN WITHIN DIMENSIONS		THIRD ANGLE PROJECTION		
▽ = 0			DRAWING: D-SIZE		
▽ = 0			SERIES: 34961		