

**NOTE**

- 1.MATERIAL : COPPER ALLOY , 0.25T
- 2.FINISHE : PRE-TIN PLATED

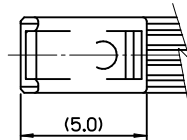
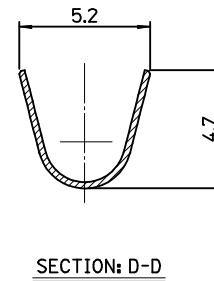
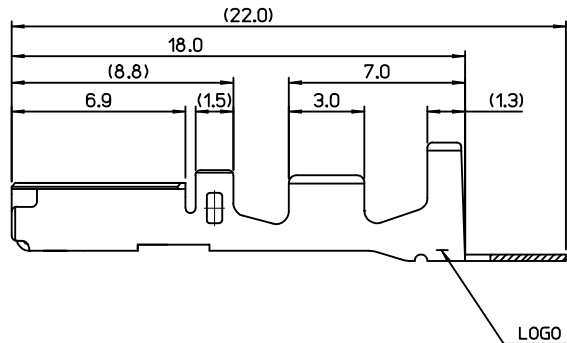
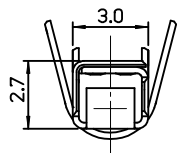
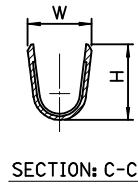
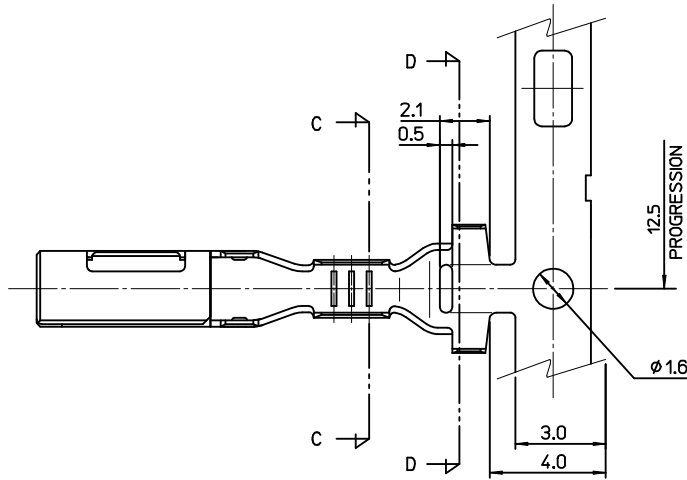
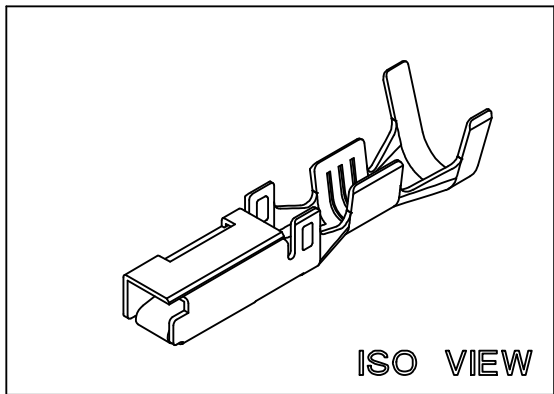
PART NO.	WIRE SIZE		INSULATION DIA. (mm)	WIRE SEAL	
	ITEM	(mm <sup>2</sup> )		PART NO.	COLOR
35407-6812	AESSXF	0.75	φ1.8 - φ2.0	49093-0002 49093-0012	BLACK BLACK
	AVS/AEXF	0.85	φ2.1 - φ2.3	49093-0003 49093-0013	GRAY GRAY
	AVSS	1.25			
35407-6912	AEXF	1.25	φ2.7 - φ2.9	49093-0004 49093-0014	BLUE DARK GRAY
	AVS	1.25	φ2.5 - φ2.6		
	AVSS	2.0	φ2.6 - φ2.7		

REVISED  
 EC NO: KTR2017-0043  
 DRWNS:JLEE06 2017/06/09  
 CHKD:  
 APPR: JHJANG 2017/06/20  
 DESCRIPTION

QUALITY SYMBOLS	GENERAL TOLERANCES (UNLESS SPECIFIED)		DIMENSION STYLE		SCALE	DESIGN UNITS	THIRD ANGLE PROJECTION
	mm	INCH	MM ONLY				
▽=0	4 PLACES	± ---	± ---	DRAWN BY	DATE	TITLE .090 SEALED F/TER'L (STICK COIL CONN.)	
∇=0	3 PLACES	± ---	± ---	EOKIM	2007/06/05		
	2 PLACES	± ---	± ---	CHECKED BY	DATE		
	1 PLACE	± 0.25	± ---	BCYOON	2007/06/05		
	ANGULAR ± 1 °			APPROVED BY	DATE	MATERIAL NO. MOLEX INCORPORATED	
	DRAFT WHERE APPLICABLE MUST REMAIN WITHIN DIMENSIONS			EHJUNG	2007/06/05		
	SEE TABLE			DOCUMENT NO.		SD-35407-003	

NO.	MATERIAL NO.	ENG. NO.	TYPE	PART NAME	CABLE SIZE (mm <sup>2</sup> )	DIMENSION	
						W	H
1	354076812	35407-6812	M	STICK COIL TER'L	0.75(AVSS) ~ 1.25(AVS)	2.6	3.0
2	354076912	35407-6912	L	STICK COIL TER'L	2.0(AVSS)	4.0	3.5

SIZE	THIS DRAWING CONTAINS INFORMATION THAT IS PROPRIETARY TO MOLEX INCORPORATED AND SHOULD NOT BE USED WITHOUT WRITTEN PERMISSION	
A3		



**NOTE**

- 1.MATERIAL : COPPER ALLOY , 0.25T
- 2.FINISHE : PRE-TIN PLATED

PART NO.	WIRE SIZE		INSULATION DIA. (mm)	WIRE SEAL	
	ITEM	(mm <sup>2</sup> )		PART NO.	COLOR
35407-6812	AESSXF	0.75	φ1.8 - φ2.0	49093-0002 49093-0012	BLACK BLACK
	AVS/AEXF	0.85	φ2.1 - φ2.3	49093-0003 49093-0013	GRAY GRAY
	AVSS	1.25			
35407-6912	AEXF	1.25	φ2.7 - φ2.9	49093-0004 49093-0014	BLUE DARK GRAY
	AVS	1.25	φ2.5 - φ2.6		
	AVSS	2.0	φ2.6 - φ2.7		

REVISED  
 EC NO: KTR2017-0043  
 DRWNS:JLEE06 2017/06/09  
 CHKD:  
 APPR: JHJANG 2017/06/20  
 DESCRIPTION

QUALITY SYMBOLS	GENERAL TOLERANCES (UNLESS SPECIFIED)		DIMENSION STYLE		SCALE	DESIGN UNITS	THIRD ANGLE PROJECTION
	mm	INCH	MM ONLY				
▽=0	4 PLACES	± ---	± ---	DRAWN BY	DATE	TITLE .090 SEALED F/TER'L (STICK COIL CONN.)	
∇=0	3 PLACES	± ---	± ---	EOKIM	2007/06/05		
	2 PLACES	± ---	± ---	CHECKED BY	DATE		
	1 PLACE	± 0.25	± ---	BCYOON	2007/06/05		
	ANGULAR ± 1 °			APPROVED BY	DATE	MATERIAL NO. MOLEX INCORPORATED	
	DRAFT WHERE APPLICABLE MUST REMAIN WITHIN DIMENSIONS			EHJUNG	2007/06/05		
	SEE TABLE			DOCUMENT NO.		SHEET NO. 1 OF 01	
	SIZE A3		THIS DRAWING CONTAINS INFORMATION THAT IS PROPRIETARY TO MOLEX INCORPORATED AND SHOULD NOT BE USED WITHOUT WRITTEN PERMISSION				

NO.	MATERIAL NO.	ENG. NO.	TYPE	PART NAME	CABLE SIZE (mm <sup>2</sup> )	DIMENSION	
						W	H
1	354076812	35407-6812	M	STICK COIL TER'L	0.75(AVSS) ~ 1.25(AVS)	2.6	3.0
2	354076912	35407-6912	L	STICK COIL TER'L	2.0(AVSS)	4.0	3.5