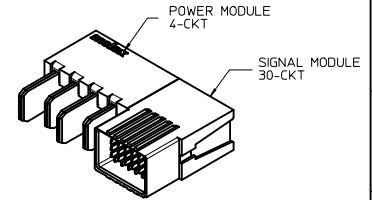
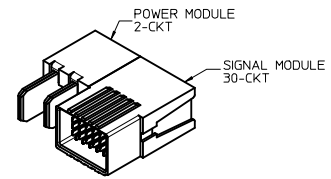
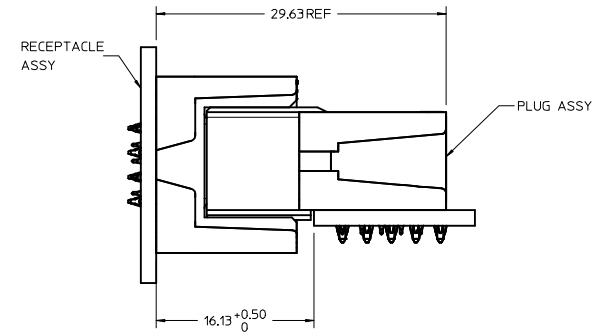


SECTION Z-Z
SCALE 4:1

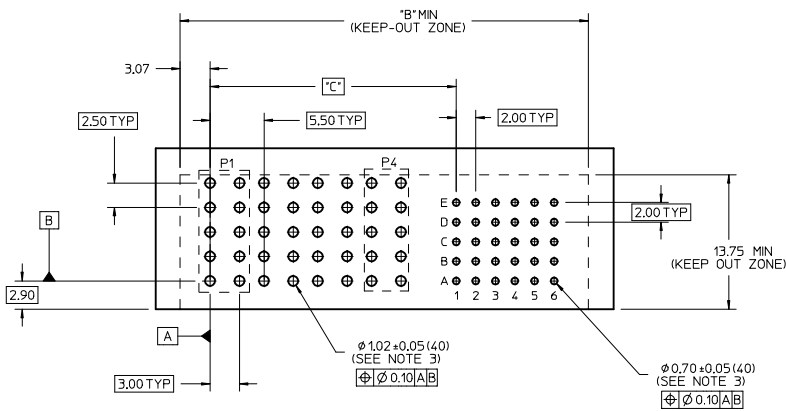


MOLEX P/N:	46437-1240	46437-1223
DIM "A"	29.71	40.71
DIM "B"	30.71	41.71
DIM "C"	14.14	25.14
MATES TO P/N:	46562-1240	46562-1223



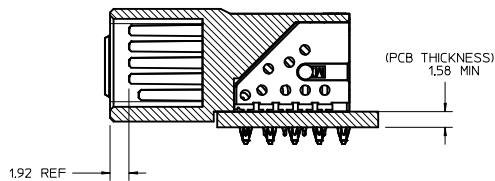
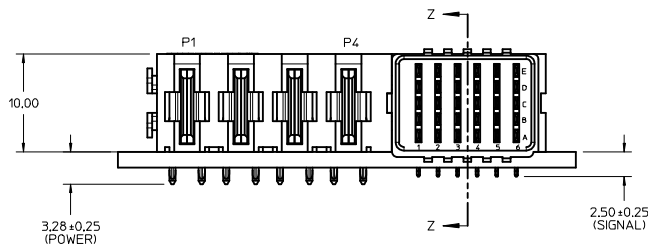
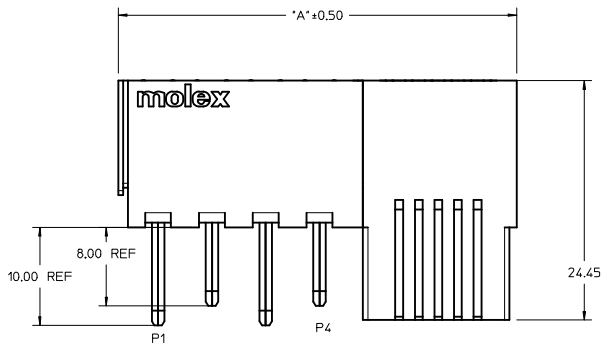
NOTES:

- MATERIAL:
 - HOUSINGS: LCP UL94, V-0, COLOR : BLACK
 - TERMINALS: HIGH CONDUCTIVITY COPPER ALLOY
 - PLATING: 127 MICROMETER (50 MICROINCH) NICKEL OVERALL WITH 254 MICROMETER (100 MICROINCH) SELECTIVE TIN ON TAILS AND 0.762 MICROMETER (30 MICROINCH) SELECTIVE GOLD ON CONTACT AREA
- PACKAGING: ASSEMBLIES TO BE TRAY PACKED PER PACKAGING SPEC: TBD
- PLATED THRU HOLE SIZE. REFER TO PS-46436-100 FOR DETAILS
- PRODUCT SPEC: PS-46436-100
- APPLICATION SPEC: AS-46436-100
- PRODUCT TO MEET RoHS REQUIREMENTS
- ASSEMBLY MATES TO MOLEX RECEPTACLE ASSEMBLY P/N'S 46562-1223 AND 46562-1240
- TAIL DESIGN: COMPLIANT PIN
- SIGNAL CONTACTS ARE LUBRICATED

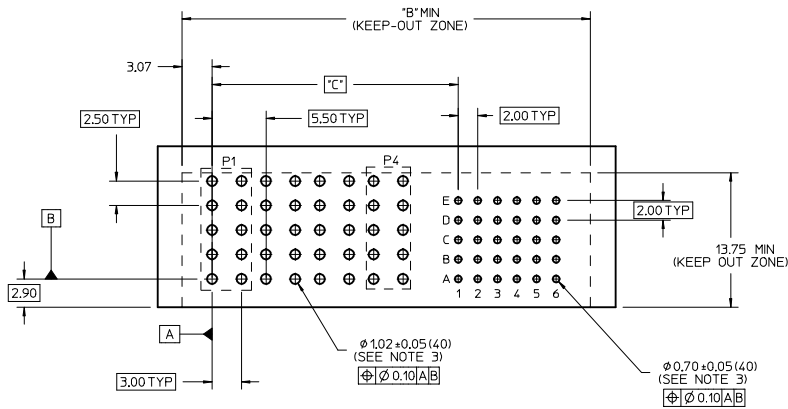


RECOMMENDED PCB LAYOUT AND KEEP-OUT ZONE

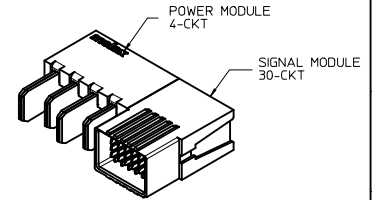
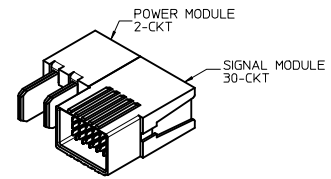
REVISED NOTES IEC NO. UCP2013-2266 DRAWN: JUILLES 2012/10/05 CHKDRP: SZCZOR 2012/12/06 APPR: APATEL 2012/12/20	QUALITY SYMBOLS ▽=0 ▽=0 ▽=0	GENERAL TOLERANCES (UNLESS SPECIFIED)		DIMENSION STYLE MM ONLY	SCALE 5:1	DESIGN UNITS METRIC	THIRD ANGLE PROJECTION		
		4 PLACES ±--- ±--- 3 PLACES ±--- ±--- 2 PLACES ±0.13 ±--- 1 PLACE ±0.25 ±---	mm INCH	DRAWN BY TMPATIL 2011/03/09	DATE	TITLE RA PLUG ASSY 4P-30S/2P-30S TEN60 POWER FAMILY			
		ANGULAR ±1/2°	DRAFT WHERE APPLICABLE MUST REMAIN WITHIN DIMENSIONS	APPROVED BY APATEL 2012/12/20	DATE	MOLEX INCORPORATED			
		MATERIAL NO. SEE CHART	DOCUMENT NO. SD-46437-1223	SHEET NO. 1 OF 1		THIS DRAWING CONTAINS INFORMATION THAT IS PROPRIETARY TO MOLEX INCORPORATED AND SHOULD NOT BE USED WITHOUT WRITTEN PERMISSION			



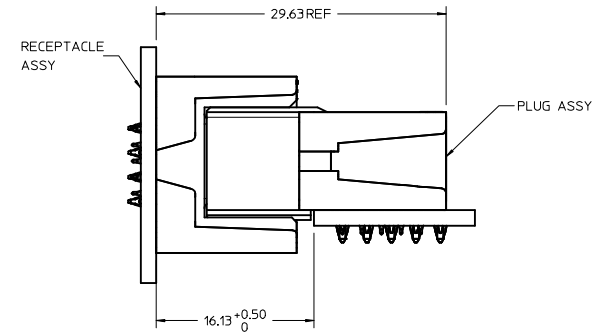
SECTION Z-Z
SCALE 4:1



RECOMMENDED PCB LAYOUT AND KEEP-OUT ZONE



MOLEX P/N:	46437-1240	46437-1223
DIM "A"	29.71	40.71
DIM "B"	30.71	41.71
DIM "C"	14.14	25.14
MATES TO P/N:	46562-1240	46562-1223



NOTES:

- MATERIAL:
 - HOUSINGS: LCP UL94, V-0, COLOR : BLACK
 - TERMINALS: HIGH CONDUCTIVITY COPPER ALLOY
 - PLATING: 127 MICROMETER (50 MICRONCH) NICKEL OVERALL WITH 254 MICROMETER (100 MICRONCH) SELECTIVE TIN ON TAILS AND 0.762 MICROMETER (30 MICRONCH) SELECTIVE GOLD ON CONTACT AREA
- PACKAGING: ASSEMBLIES TO BE TRAY PACKED PER PACKAGING SPEC: TBD
- PLATED THRU HOLE SIZE. REFER TO PS-46436-100 FOR DETAILS
- PRODUCT SPEC: PS-46436-100
- APPLICATION SPEC: AS-46436-100
- PRODUCT TO MEET RoHS REQUIREMENTS
- ASSEMBLY MATES TO MOLEX RECEPTACLE ASSEMBLY P/N'S 46562-1223 AND 46562-1240
- TAIL DESIGN: COMPLIANT PIN
- SIGNAL CONTACTS ARE LUBRICATED

REVISED NOTES IEC NO. UCP2013-2266 DRAWN: JUILLES 2012/10/05 CHKDRP: SZCZOR 2012/12/06 APPR: APATEL 2012/12/20	QUALITY SYMBOLS ∇=0 ∇=0 ∇=0	GENERAL TOLERANCES (UNLESS SPECIFIED)		DIMENSION STYLE MM ONLY	SCALE 5:1	DESIGN UNITS METRIC	THIRD ANGLE PROJECTION		
		4 PLACES ± mm ± INCH 3 PLACES ± --- ± --- 2 PLACES ± 0.13 ± --- 1 PLACE ± 0.25 ± ---	DRAWN BY IMPATIL 2011/03/09	CHECKED BY BKOSTIC 2011/03/09	APPROVED BY APATEL 2012/12/20	MATERIAL NO. SEE CHART	DOCUMENT NO. SD-46437-1223	TITLE RA PLUG ASSY 4P-30S/2P-30S TEN60 POWER FAMILY	SHEET NO. 1 OF 1
		DRAFT WHERE APPLICABLE MUST REMAIN WITHIN DIMENSIONS		SIZE D	THIS DRAWING CONTAINS INFORMATION THAT IS PROPRIETARY TO MOLEX INCORPORATED AND SHOULD NOT BE USED WITHOUT WRITTEN PERMISSION				
		MOLEX INCORPORATED							