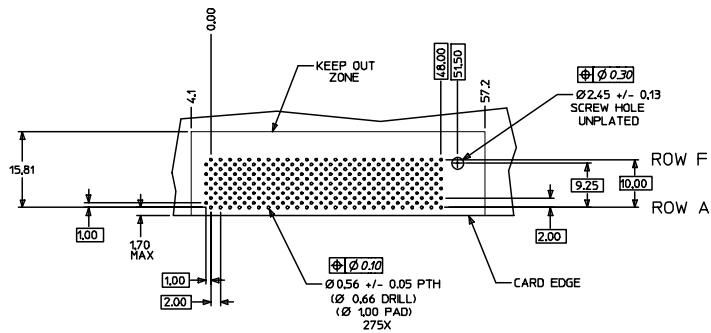
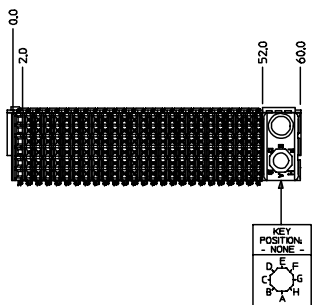
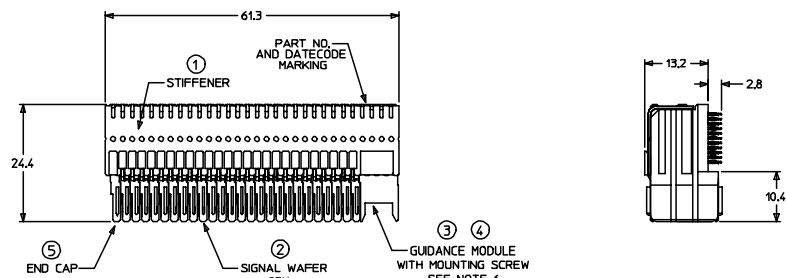


CUSTOMER: NORTEL NETWORKS



NOTES: (UNLESS OTHERWISE SPECIFIED)

- MATERIALS: HOUSING - LIQUID CRYSTAL POLYMER (LCP), GLASS-FILLED UL94V-0, TERMINALS - HIGH PERFORMANCE COPPER ALLOY, STIFFENER - STAINLESS STEEL.
- FINISH: SELECTIVE GOLD (Au) IN CONTACT AREA, SELECTIVE TIN/LEAD (Sn/Pb) ON PCB TAILS NICKEL INI OVERALL.
- REFER TO MOLEX PRODUCT SPECIFICATION PS-74031-999 FOR PERFORMANCE SPECIFICATIONS.
- REFER TO MOLEX DOCUMENT SD-74031-002 FOR ADDITIONAL DETAIL ON THE SIGNAL WAFER.
- REFER TO MOLEX DOCUMENT SD-74037-005 FOR ADDITIONAL DETAIL ON THE GUIDANCE MODULE.
- MOUNTING SCREWS WILL BE BAGGED WITH EACH CONNECTOR.
- PARTS ARE PACKAGED IN TUBES PER PK-70873-5040.

ITEM	PART NUMBER	DESCRIPTION	QTY
1	74036-0061	STIFFENER	1
2	74031-0051	SIGNAL WAFER W/ 50 uIn Au	25
3	74037-0006	POLARIZING/GUIDE MODULE	1
4	73726-0000	GUIDE MODULE MNTG SCREW	1
5	74038-0001	END CAP	1

DAUGHTERCARD HOLE PATTERN (CONNECTOR SIDE)

EC NO: UCP2003-1920 DRWN: JJONIAK 2003/03/14 CHKD: JLAURX 2003/03/14 APPR: CBXLER 2003/03/19	QUALITY SYMBOLS	GENERAL TOLERANCES (UNLESS SPECIFIED)	SCALE 2:1	DESIGN UNITS METRIC	THIRD ANGLE PROJECTION	REVISE ON CAD ONLY	
	4 PLACES ±--- ±--- 3 PLACES ±--- ±--- 2 PLACES ±--- ±--- 1 PLACE ±--- ±---	mm INCH ±--- ±--- ±--- ±--- ±--- ±---	DIMENSION STYLE MM ONLY DRAWN BY JJONIAK DATE 03/07/03 CHECKED BY JLAURX DATE 03/07/03	TITLE 6 ROW VHDM DAUGHTERCARD ASSEMBLY SALES DRAWING MOLEX INCORPORATED			
	ANGULAR ±1/2° DRAFT WHERE APPLICABLE MUST REMAIN WITHIN DIMENSIONS	APPROVED BY CBXLER DATE 03/07/03	MATERIAL NO. 74030-0816 DOCUMENT NO. SD-74030-816 SHEET NO. 1 OF 1	THIS DRAWING CONTAINS INFORMATION THAT IS PROPRIETARY TO MOLEX INCORPORATED AND SHOULD NOT BE USED WITHOUT WRITTEN PERMISSION			
	REV A						