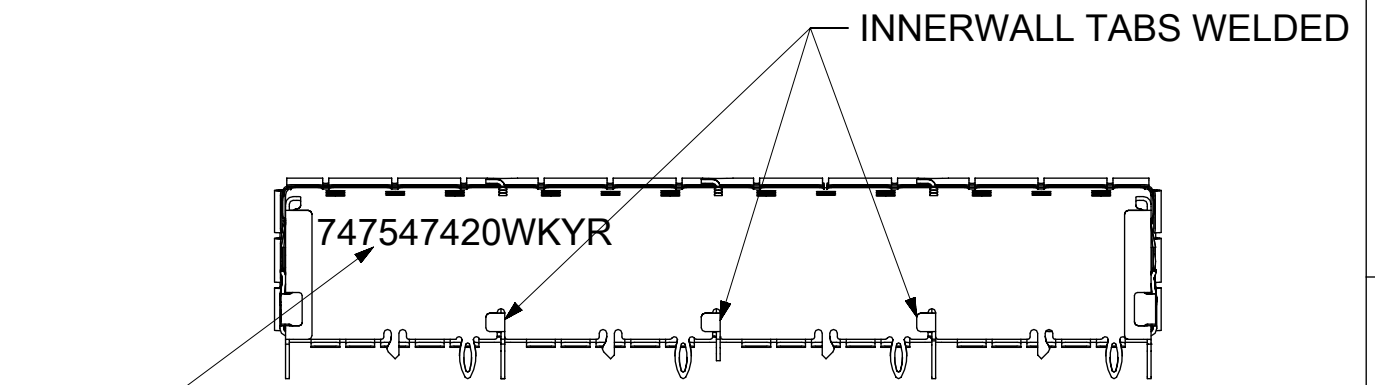
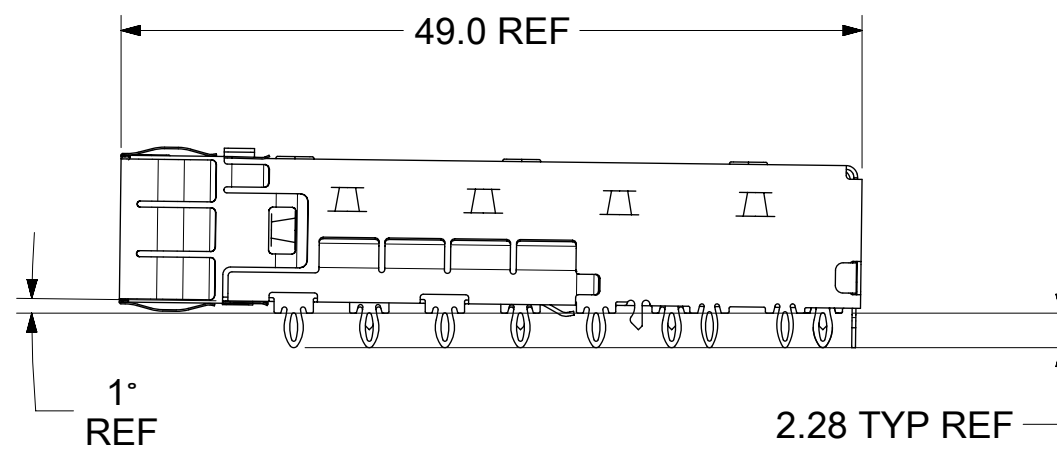
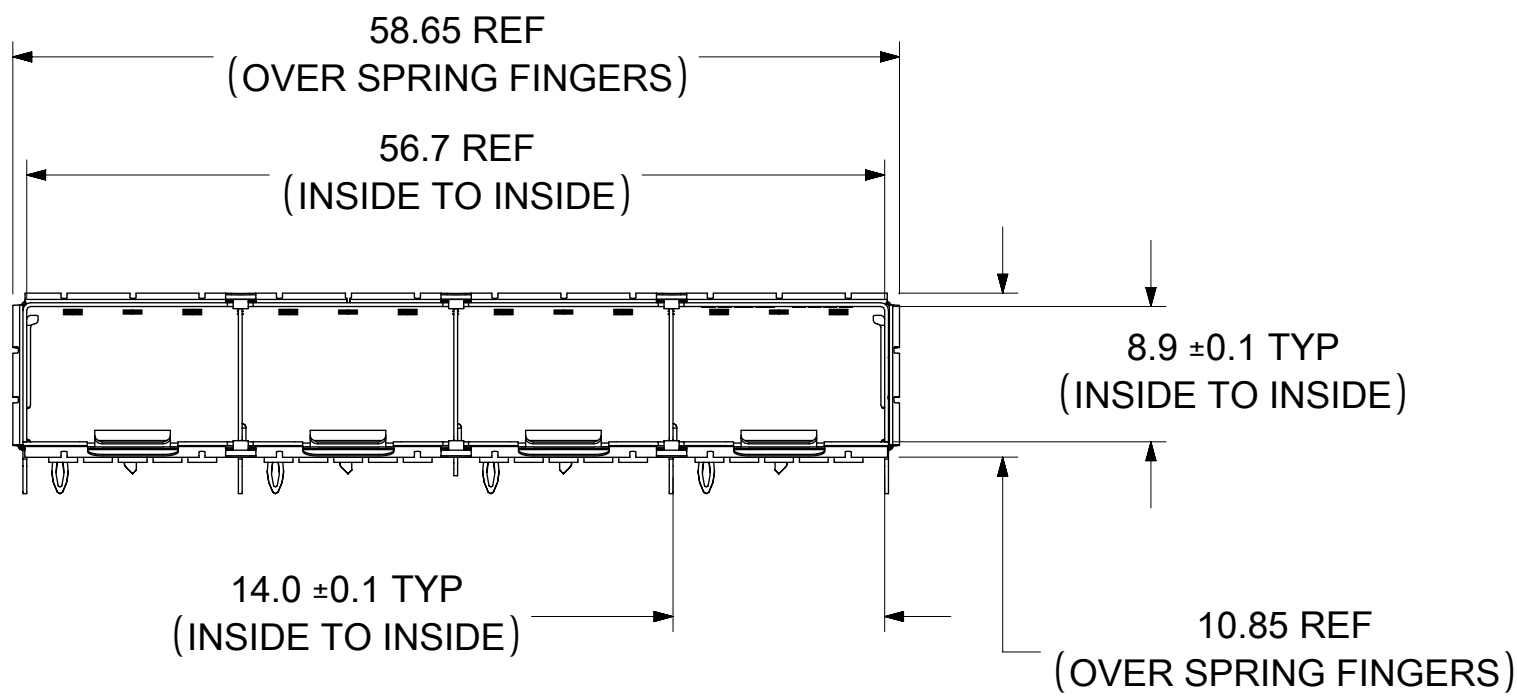
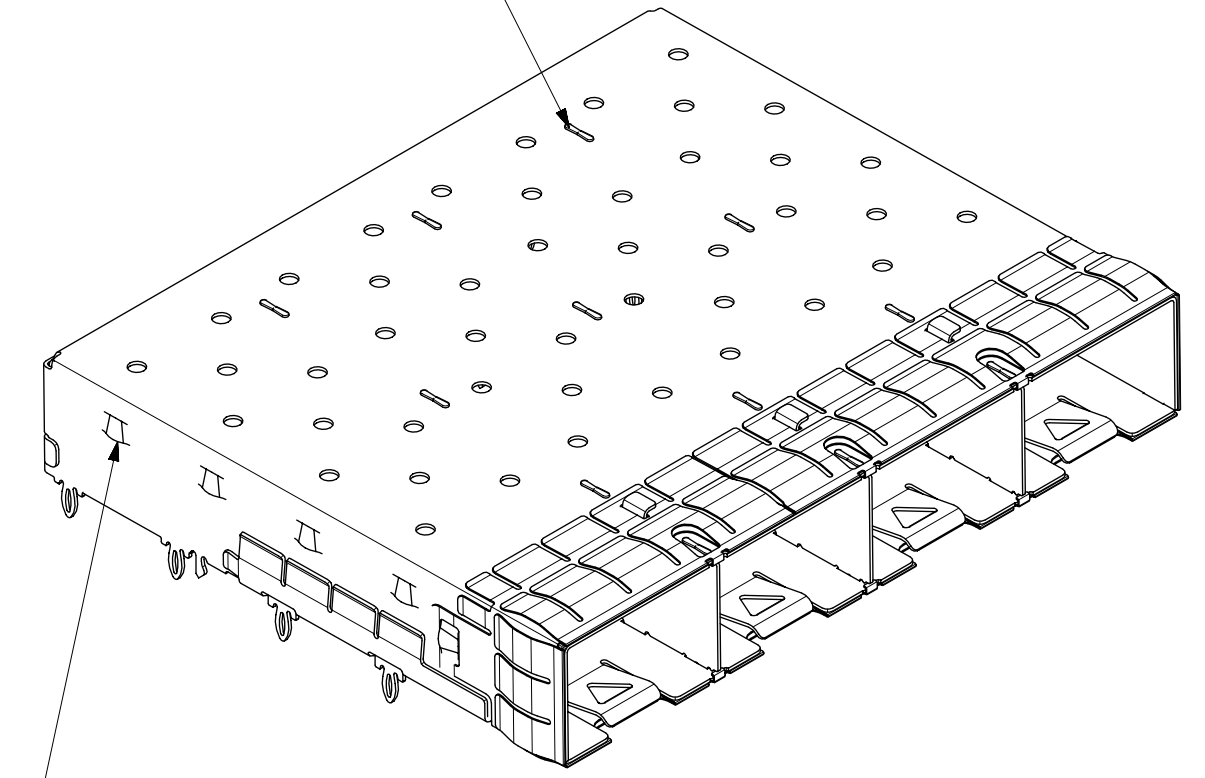


INNER WALLS ARE COINED OVER BASE AND COVER FOR EXCELLENT RIGIDITY



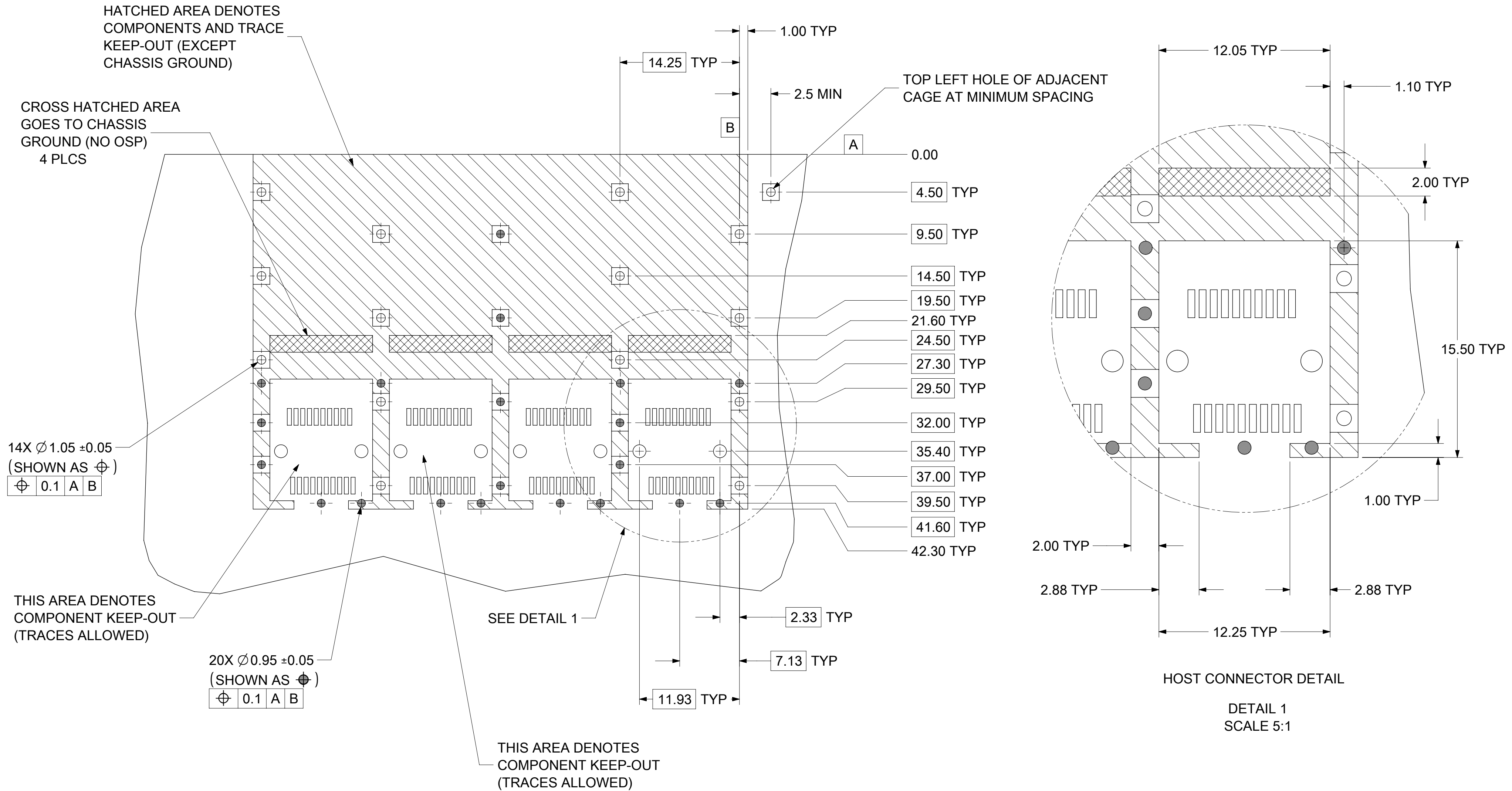
NOTES:

1. MATERIAL:
CAGE: NICKEL PLATED COPPER ALLOY, THICKNESS 0.25mm
SPRING FINGERS: STAINLESS STEEL.
2. PRESS FIT LEGS 2.28mm LONG
1.57mm MINIMUM PCB THICKNESS FOR SINGLE SIDED USE
2.28mm MINIMUM PCB THICKNESS FOR BELLY TO BELLY USE
3. OPTIONAL LIGHT PIPE ASSEMBLY AVAILABLE
4. PORTS ARE DESIGNED FOR SFP+ TRANSCEIVERS AND ARE COMPATIBLE WITH SFP TRANSCEIVERS
5. NO RoHS EXEMPTIONS
6. WELD SPOTS MAY SHOW SLIGHT MATERIAL DISCOLORATION

WEEK/YEAR DATE CODE TABLE	
WK	01 THRU 52 OR 53 EXAMPLE: 01 = FIRST WEEK OF YEAR 52 = LAST WEEK OF YEAR
YR	22, 23, 24 ETC. EXAMPLE: YEAR 2022 = 22

FUNCTIONAL SYMBOLS FA = 0 EA = 0 EP = 0	THIS DRAWING CONTAINS INFORMATION THAT IS PROPRIETARY TO MOLEX ELECTRONIC TECHNOLOGIES, LLC AND SHOULD NOT BE USED WITHOUT WRITTEN PERMISSION		CURRENT REV DESC: SEE REVISION TABLE					
	DIMENSION UNITS	SCALE	EC NO: 707270					
	mm	2:1	DRWN: CHETHH2 2022/04/18					
	GENERAL TOLERANCES (UNLESS SPECIFIED)		CHK'D: TKUMARKC 2022/05/25					
DIVISIONAL SYMBOLS	ANGULAR TOL ± 1.0°		APPR: SCHIEN 2022/06/01		PRODUCT CUSTOMER DRAWING DOCUMENT NUMBER: 747547420 DOC TYPE: PSD DOC PART: ASY REVISION: A			
	4 PLACES ±	INITIAL REVISION:						
	3 PLACES ±	DRWN: CHETHH2 2022/04/18						
	2 PLACES ± 0.15	APPR: SCHIEN 2022/06/01						
1 PLACE ± 0.25	DRAFT WHERE APPLICABLE MUST REMAIN WITHIN DIMENSIONS		THIRD ANGLE PROJECTION	DRAWING	SERIES	MATERIAL NUMBER	CUSTOMER	SHEET NUMBER
0 PLACES ±	C-SIZE		74754	747547420		1 OF 5		

PCB LAYOUT FOR SINGLE SIDE MOUNT



NOTES:

1. PADS AND VIAS CONNECT TO CHASSIS GROUND (RECOMMEND PADS TO BE 2.00mm SQUARE)
2. RECOMMENDED THRU HOLE PLATING INCLUDES HASL, OSP, OR IMMERSION (GOLD, SILVER, OR TIN).
3. CONNECTOR PAD LAYOUT PER SFP+ MSA WILL ACCOMMODATE MOLEX CONNECTOR SERIES 74441 OR EQUIVALENT.
4. HOLE PATTERN REPEATS FOR EACH PORT. SPACING BETWEEN PORTS IS 14.25mm.

FUNCTIONAL SYMBOLS $\nabla_A = 0$ $\nabla_C = 0$ $\nabla_P = 0$ DIVISIONAL SYMBOLS 4 PLACES \pm 3 PLACES \pm 2 PLACES ± 0.15 1 PLACE ± 0.25 0 PLACES \pm	THIS DRAWING CONTAINS INFORMATION THAT IS PROPRIETARY TO MOLEX ELECTRONIC TECHNOLOGIES, LLC AND SHOULD NOT BE USED WITHOUT WRITTEN PERMISSION		CURRENT REV DESC: SEE REVISION TABLE			
	FUNCTIONAL DIMENSION UNITS mm	SCALE 3:1	EC NO: 707270			DRWN: CHETHH2 2022/04/18 CHK'D: TKUMARKC 2022/05/25 APPR: SCHIEN 2022/06/01
	GENERAL TOLERANCES (UNLESS SPECIFIED) ANGULAR TOL $\pm 1.0^\circ$		INITIAL REVISION: DRWN: CHETHH2 2022/04/18 APPR: SCHIEN 2022/06/01			
	DRAFT WHERE APPLICABLE MUST REMAIN WITHIN DIMENSIONS		THIRD ANGLE PROJECTION 	DRAWING C-SIZE		SERIES 74754
PRODUCT CUSTOMER DRAWING		DOC TYPE PSD	DOC PART ASY	REVISION A	SHEET NUMBER 2 OF 5	

PCB LAYOUT FOR BELLY TO BELLY MOUNTING NOT FOR 747540422

HATCHED AREA DENOTES COMPONENTS AND TRACE KEEP-OUT (EXCEPT CHASSIS GROUND)

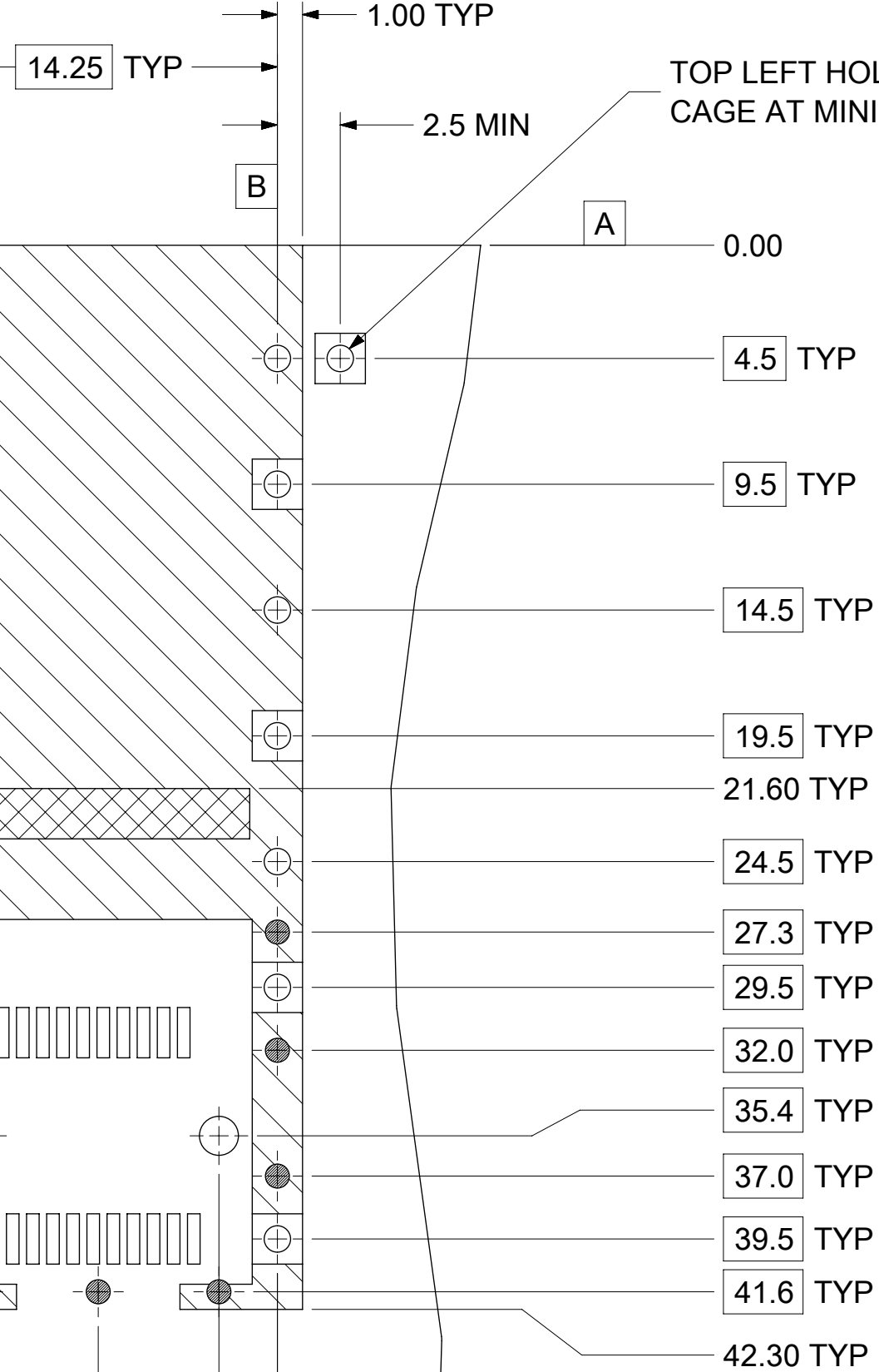
CROSS HATCHED AREA GOES TO CHASSIS GROUND (NO OSP)
4 PLCS

TOP LEFT HOLE OF ADJACENT CAGE AT MINIMUM SPACING

28X $\varnothing 1.05 \pm 0.05$
(SHOWN AS \oplus)
 \oplus 0.1 A B

28X $\varnothing 0.95 \pm 0.05$
(SHOWN AS \oplus)
 \oplus 0.1 A B

THIS AREA DENOTES COMPONENT KEEP-OUT (TRACES ALLOWED)



NOTE:
SEE SHEET 2 FOR
HOST CONNECTOR DETAIL

NOTES:

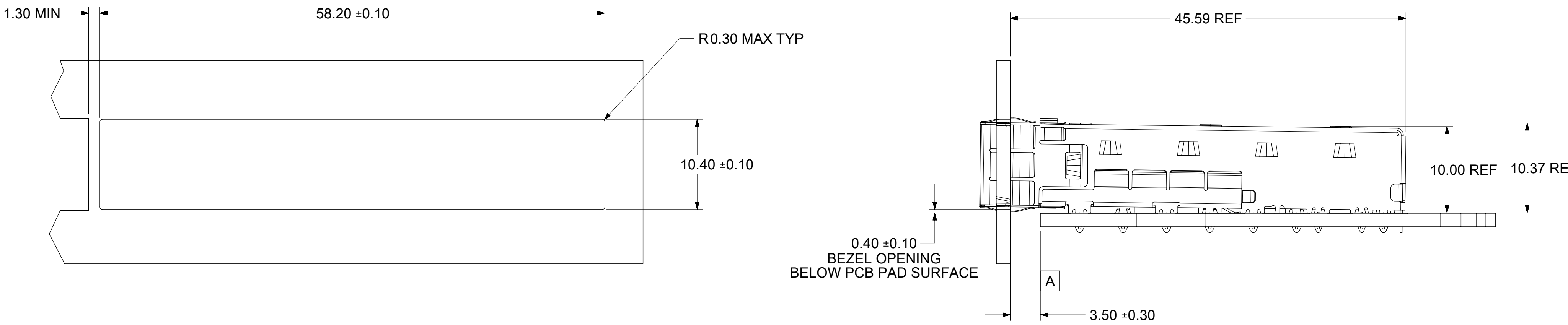
1. PADS AND VIAS CONNECT TO CHASSIS GROUND (RECOMMEND PADS TO BE 2.00mm SQUARE)
2. RECOMMENDED THRU HOLE PLATING INCLUDES HASL, OSP, OR IMMERSION (GOLD, SILVER, OR TIN).
3. CONNECTOR PAD LAYOUT PER SFP+ MSA WILL ACCOMMODATE MOLEX CONNECTOR SERIES 74441 OR EQUIVALENT.
4. HOLE PATTERN REPEATS FOR EACH PORT. SPACING BETWEEN PORTS IS 14.25mm.

FUNCTIONAL SYMBOLS		THIS DRAWING CONTAINS INFORMATION THAT IS PROPRIETARY TO MOLEX ELECTRONIC TECHNOLOGIES, LLC AND SHOULD NOT BE USED WITHOUT WRITTEN PERMISSION		CURRENT REV DESC: SEE REVISION TABLE	
$\nabla_A = 0$	mm	SCALE	<div style="font-size: 24pt; font-weight: bold; margin-bottom: 5px;">molex</div> <p style="margin: 0;">1X4 SFP+ PCI CAGE ASY PRESS FIT TYPE, W/ SUS SPRING FINGER AND LIGHT PIPE OPTION</p> <p style="margin: 0; text-align: center;">PRODUCT CUSTOMER DRAWING</p>		
$\nabla_C = 0$	4:1				
$\nabla_P = 0$	GENERAL TOLERANCES (UNLESS SPECIFIED)				
DIVISIONAL SYMBOLS		ANGULAR TOL $\pm 1.0^\circ$	4 PLACES \pm	3 PLACES \pm	2 PLACES ± 0.15
		1 PLACE ± 0.25	0 PLACES \pm	INITIAL REVISION:	
		DRAFT WHERE APPLICABLE MUST REMAIN WITHIN DIMENSIONS		THIRD ANGLE PROJECTION	DRAWING
		SERIES	MATERIAL NUMBER	CUSTOMER	SHEET NUMBER
		C-SIZE	74754	747547420	3 OF 5

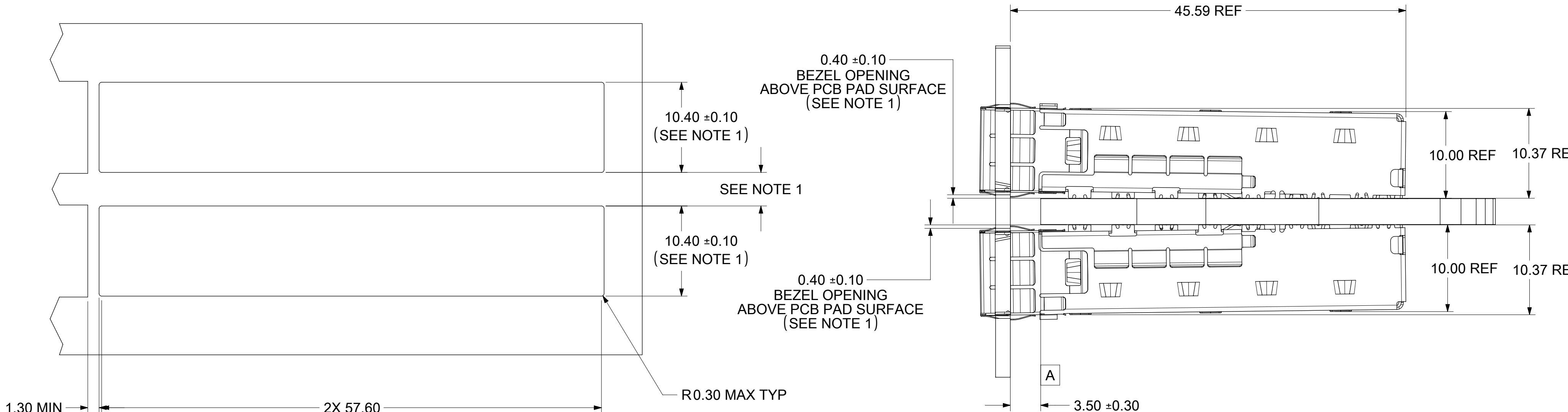
DOCUMENT NUMBER	DOC TYPE	DOC PART	REVISION
747547420	PSD	ASY	A

DOCUMENT STATUS	P1	RELEASE DATE	2022/06/01 06:40:52
-----------------	----	--------------	---------------------

BEZEL AND BOARD POSITION DIMENSIONS FOR SINGLE SIDE MOUNTING
(SPRING FINGER)



BEZEL AND BOARD POSITION DIMENSIONS FOR BELLY TO BELLY MOUNTING
(SPRING FINGER)



NOTES:
1. PCB THICKNESS VARIATION MUST BE CONSIDERED WHEN DETERMINING BEZEL OPENING, SIZE, AND LOCATION.

FUNCTIONAL SYMBOLS	THIS DRAWING CONTAINS INFORMATION THAT IS PROPRIETARY TO MOLEX ELECTRONIC TECHNOLOGIES, LLC AND SHOULD NOT BE USED WITHOUT WRITTEN PERMISSION		
	DIMENSION UNITS	SCALE	CURRENT REV DESC: SEE REVISION TABLE
$\frac{E}{A} = 0$	mm	3:1	EC NO: 707270 DRWN: CHETHH2 CHK'D: TKUMARKC APPR: SCHIEN
$\frac{E}{C} = 0$	GENERAL TOLERANCES (UNLESS SPECIFIED)		
$\frac{E}{P} = 0$	ANGULAR TOL ± 1.0°		
DIVISIONAL SYMBOLS	4 PLACES	±	2022/04/18
	3 PLACES	±	2022/05/25
	2 PLACES	± 0.15	2022/06/01
	1 PLACE	± 0.25	
	0 PLACES	±	
DRAFT WHERE APPLICABLE MUST REMAIN WITHIN DIMENSIONS		THIRD ANGLE PROJECTION	DRAWING
			C-SIZE
		SERIES	74754
		MATERIAL NUMBER	747547420
		CUSTOMER	
		SHEET NUMBER	4 OF 5

molex

1X4 SFP+ PCI CAGE ASY PRESS
FIT TYPE, W/ SUS SPRING FINGER AND LIGHT PIPE
OPTION

PRODUCT CUSTOMER DRAWING

DOCUMENT NUMBER: **747547420** | DOC TYPE: PSD | DOC PART: ASY | REVISION: A

H
G
F
E
D
C
B
A

REV	DATE	DESCRIPTION
A	2022/05/25	INITIAL RELEASE

FUNCTIONAL SYMBOLS	THIS DRAWING CONTAINS INFORMATION THAT IS PROPRIETARY TO MOLEX ELECTRONIC TECHNOLOGIES, LLC AND SHOULD NOT BE USED WITHOUT WRITTEN PERMISSION		
	DIMENSION UNITS	SCALE	CURRENT REV DESC: SEE REVISION TABLE
$\frac{F}{A} = 0$	mm	1:1	EC NO: 707270 DRWN: CHETHH2 2022/04/18 CHK'D: TKUMARKC 2022/05/25 APPR: SCHIEN 2022/06/01 INITIAL REVISION: DRWN: CHETHH2 2022/04/18 APPR: SCHIEN 2022/06/01
$\frac{F}{C} = 0$	GENERAL TOLERANCES (UNLESS SPECIFIED)		
$\frac{F}{P} = 0$	ANGULAR TOL ± 1.0°		
DIVISIONAL SYMBOLS	4 PLACES	±	
	3 PLACES	±	
	2 PLACES	± 0.15	
	1 PLACE	± 0.25	
0 PLACES	±		
DRAFT WHERE APPLICABLE MUST REMAIN WITHIN DIMENSIONS		THIRD ANGLE PROJECTION	DRAWING C-SIZE
		SERIES 74754	SHEET NUMBER 5 OF 5

DOCUMENT NUMBER			DOC TYPE	DOC PART	REVISION
747547420			PSD	ASY	A

MATERIAL NUMBER		CUSTOMER	
747547420			

DOCUMENT STATUS	P1	RELEASE DATE	2022/06/01 06:40:52
-----------------	----	--------------	---------------------